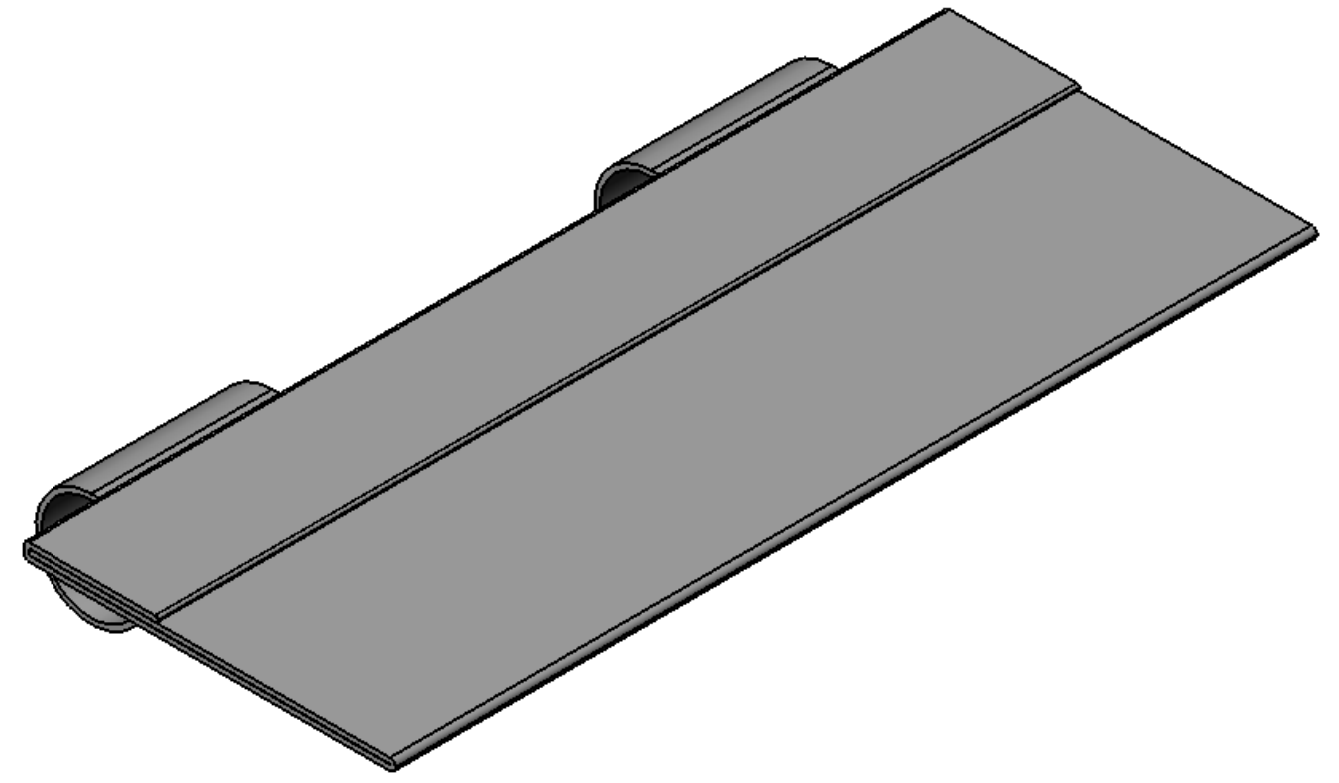
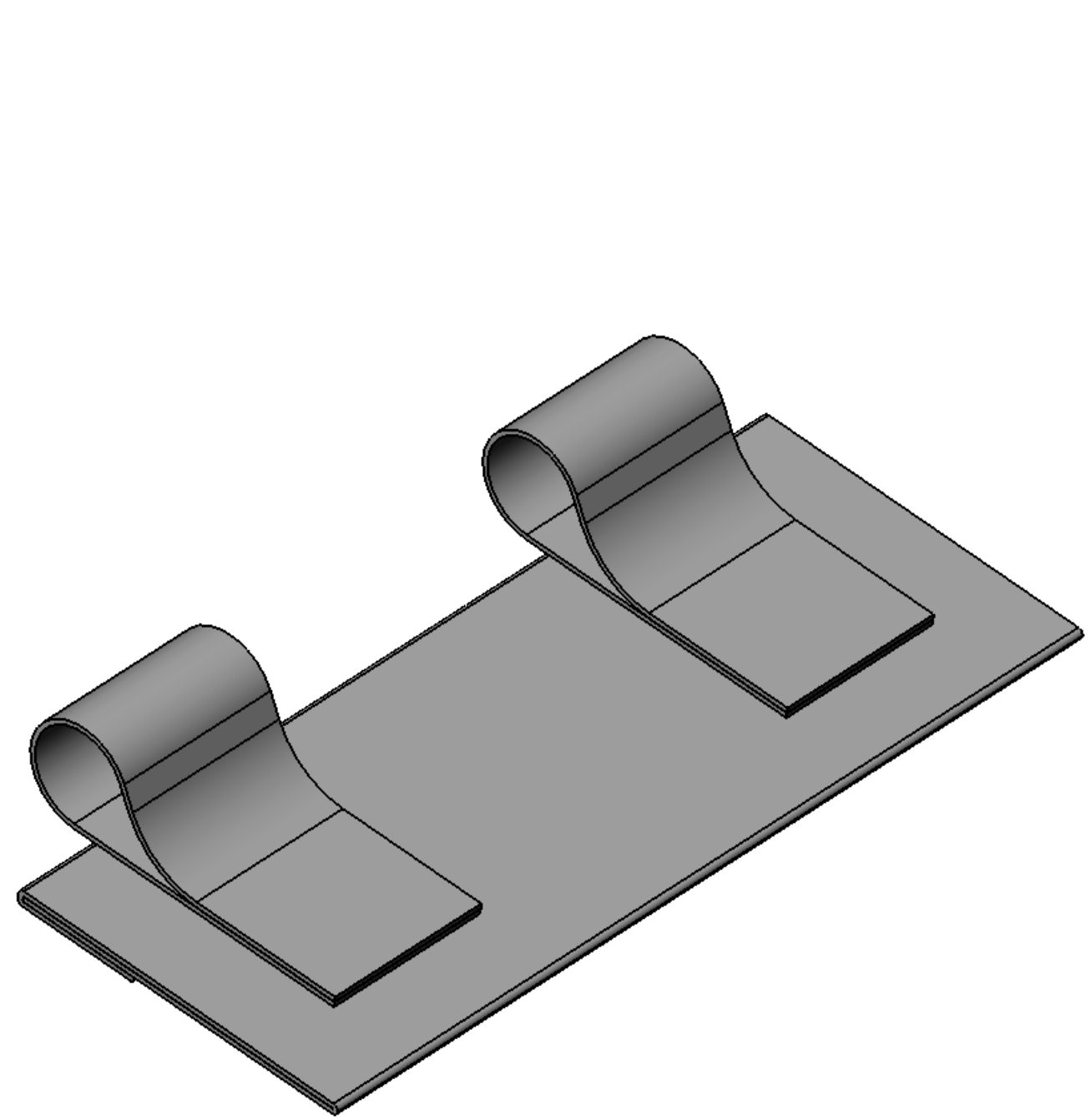


THE INFORMATION CONTAINED IN THIS DRAWING IS THE SOLE PROPERTY OF
 ALTIMATE MEDICAL ANY REPRODUCTION IN PART OR WHOLE WITHOUT
 THE WRITTEN PERMISSION OF ALTIMATE MEDICAL IS PROHIBITED.

REVISIONS			
REV.	DESCRIPTION	DATE	APPROVED
A	ADDED 2" OF LOOP AND 1" OF HOOK USING 06-ECO-045	8-23-06	GJR



NOTES:		CAD GENERATED DRAWING. DO NOT MANUALLY UPDATE		ALTIMATE MEDICAL, INC. PO BOX 180 - 262 WEST FIRST STREET - MORTON, MN 56270 PHONE (507) 697-6393 FAX (507) 697-6900	
UNLESS OTHERWISE SPECIFIED DIMENSIONS ARE IN INCHES TOLERANCES AND SPECS. ARE:		DO NOT SCALE DRAWING		NAME: TOOL POUCH	
DECIMALS .XXX ± .031	ANGLES ± .5°	APPROVALS	DATE	DESCRIPTION: POUCH TOOL	
BREAK EDGES .005 - .015 (+.005 AND -.000)	HOLE SIZE TOLERANCE: (+.005 AND -.000)	DRAWN: JVS	8/24/2001	SIZE DWG. NO. 80809	
ADD A .031 DEEP 45° CHAMFER ON ALL DRILLED HOLES	CODE: UPSTRY	MFG MNG:	MFG ENG:	REV. A	
FINISH: -	MATERIAL: CLOTH	ASMBLY:	SHIPPING:	SCALE = 1:1.5 CAD FILE NAME: 80809 SHEET 1 OF 1	