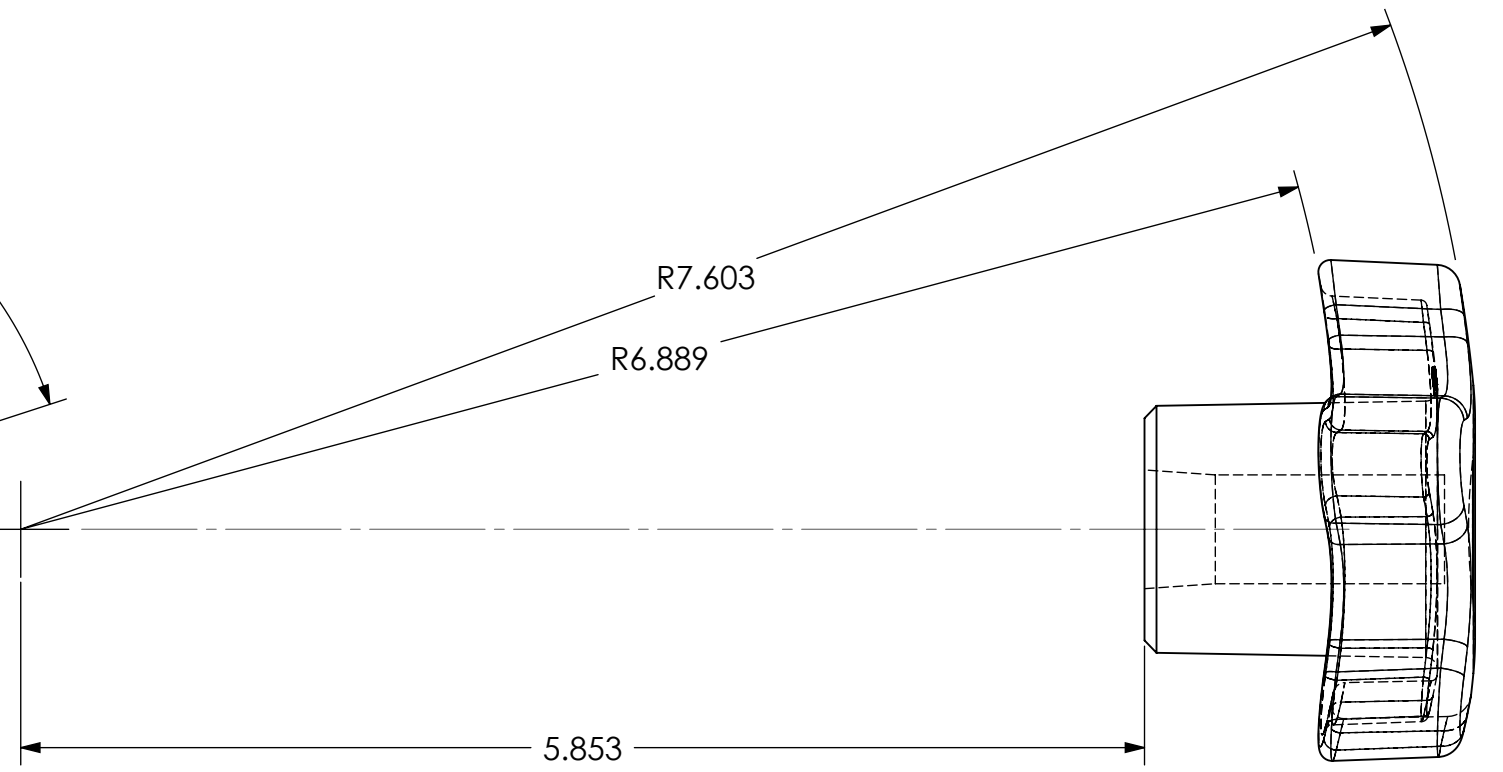
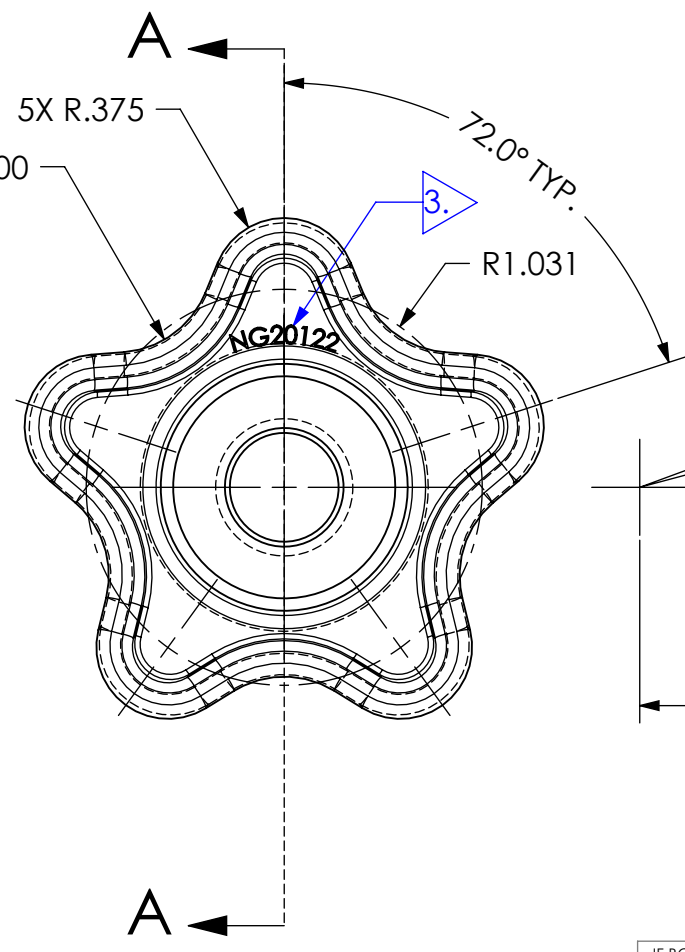
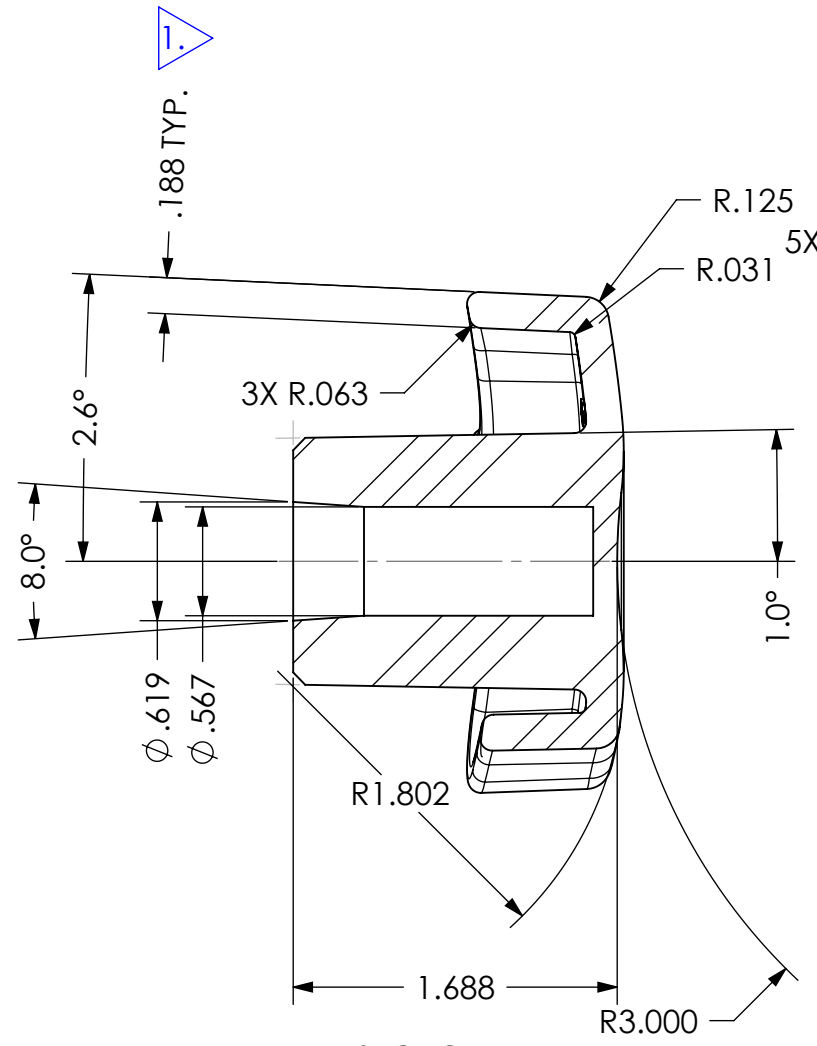
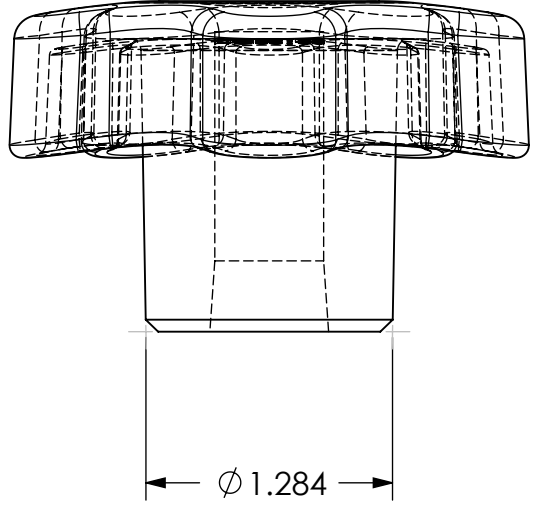


THE INFORMATION CONTAINED IN THIS DRAWING IS THE SOLE PROPERTY OF
 ALTIMATE MEDICAL. ANY REPRODUCTION IN PART OR WHOLE WITHOUT
 THE WRITTEN PERMISSION OF ALTIMATE MEDICAL IS PROHIBITED.

REVISIONS				
REV:	DESCRIPTION:	ECO #:	DATE:	APPROVED:
000	REVISED BOSS TO ϕ 1.284 PER DODGE INSERTS DRAWING. MOVED	DCR-00461	10/22/08	MWL
-	THREADED INSERT DETAILS TO PAGE 2 AND REVISED CORE.	-	-	-
A	CHANGED MAT'L FROM NYLON 6 TO UNFILLED TOUGHENED NYLON	DCR-00695	8/12/10	MWL

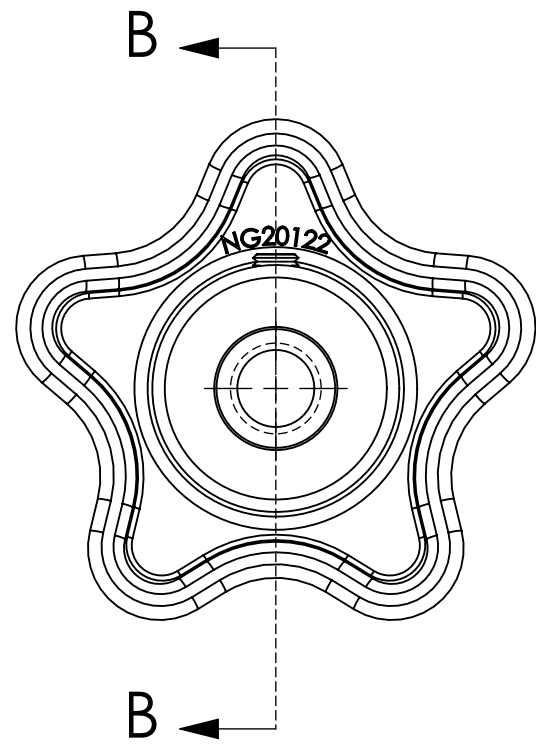
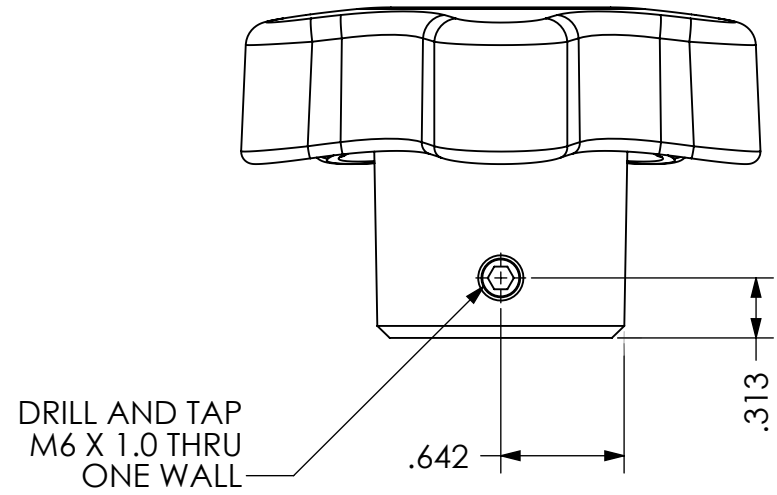


- NOTES:**
- NOMINAL WALL THICKNESS IS .188.
 - USE DODGE M12 X 1.75 THREADED INSERT X6077-12BR1905 (SEE PAGE 2).
 - USE 3/32" LETTER HEIGHT AND RAISE LETTERING .02" - .04" OFF OF PART.

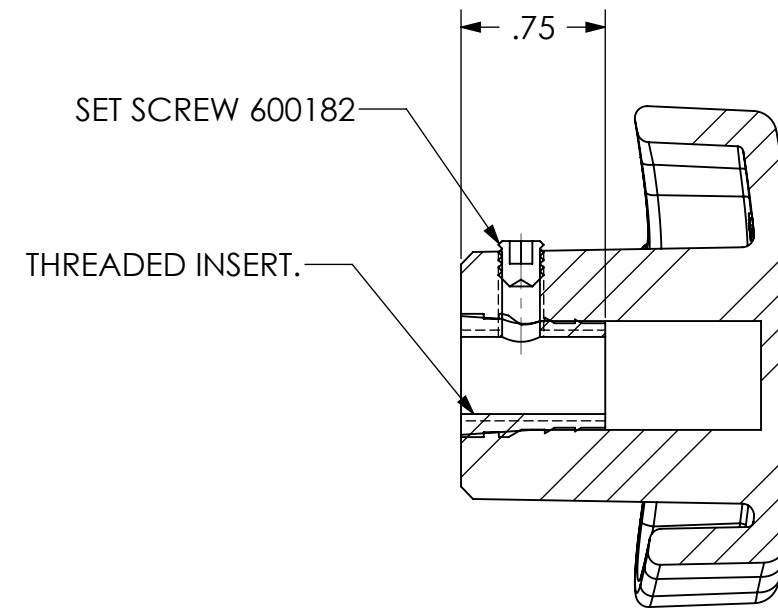
IF BOX CONTAINS AN "X", SEE NOTES THAT APPLY TO EACH SUBJECT.		APPROVED:		DATE:		UNLESS OTHERWISE SPECIFIED DIMENSIONS ARE IN INCHES. TOLERANCES AND SPECS. ARE:		ALTIMATE MEDICAL, INC.		
<input type="checkbox"/> SEE SHIPPING INSTRUCTIONS	<input type="checkbox"/> RECEIVING INSPECTION	<input type="checkbox"/> SEE ENVIRONMENTAL INSTRUCTIONS	DRAWN: MWL		DATE: 4/29/08		MATERIAL: UNFILLED TOUGHENED NYLON		PO BOX 180 - 262 WEST FIRST STREET - MORTON, MN 56270 PHONE (507) 697-6393 FAX (507) 697-6900	
			EXPIRATION DATE:		FINISH: BLACK/ IMB 3		CODE: PLSTC		DESCRIPTION: KNOB FEMALE M12 X 1.75	
			-		HOLE SIZE TOLERANCE: (+.005/-.000)		BREAK EDGES .005 - .015 CMFR DRILLED HOLES .03 X 45°		SIZE DWG. NO. NG20122	
					DECIMALS .X ± .1 .XX ± .03 .XXX ± .015		ANGLES .X ± .5°		REV. A	
					SCALE = 1:1		CAD FILE NAME: NG20122		SHEET 1 OF 2	

THE INFORMATION CONTAINED IN THIS DRAWING IS THE SOLE PROPERTY OF
 ALTIMATE MEDICAL. ANY REPRODUCTION IN PART OR WHOLE WITHOUT
 THE WRITTEN PERMISSION OF ALTIMATE MEDICAL IS PROHIBITED.

REVISIONS				
REV:	DESCRIPTION:	ECO #:	DATE:	APPROVED:
-	SEE PAGE 1 FOR REVISION HISTORY.	-	-	-



THREADED INSERT DETAILS



SECTION B-B

IF BOX CONTAINS AN "X", SEE NOTES THAT APPLY TO EACH SUBJECT. <input type="checkbox"/> SEE SHIPPING INSTRUCTIONS <input type="checkbox"/> RECEIVING INSPECTION <input type="checkbox"/> SEE ENVIRONMENTAL INSTRUCTIONS	APPROVED:	DATE:	UNLESS OTHERWISE SPECIFIED DIMENSIONS ARE IN INCHES. TOLERANCES AND SPECS. ARE: DECIMALS ANGLES .X ± .1 .X ± .5° .XX ± .03 .XXX ± .015 HOLE SIZE TOLERANCE: (+.005/-.000) BREAK EDGES .005 - .015 CMFR DRILLED HOLES .03 X 45°	ALTIMATE MEDICAL, INC. PO BOX 180 - 262 WEST FIRST STREET - MORTON, MN 56270 PHONE (507) 697-6393 FAX (507) 697-6900 DESCRIPTION: KNOB FEMALE M12 X 1.75 SIZE DWG. NO. NG20122 REV. A SCALE = 1:1 CAD FILE NAME: NG20122 SHEET 2 OF 2	
	DRAWN: MWL	DATE: 4/29/08			MATERIAL: UNFILLED TOUGHENED NYLON
	EXPIRATION DATE:				FINISH: BLACK/ IMB 3
					CODE: PLSTC