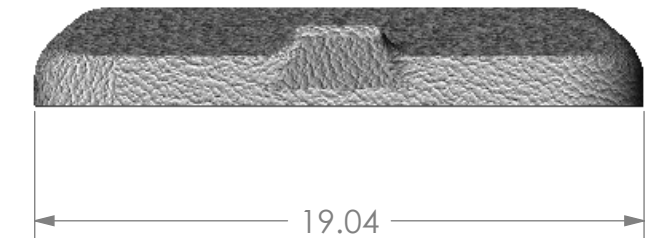
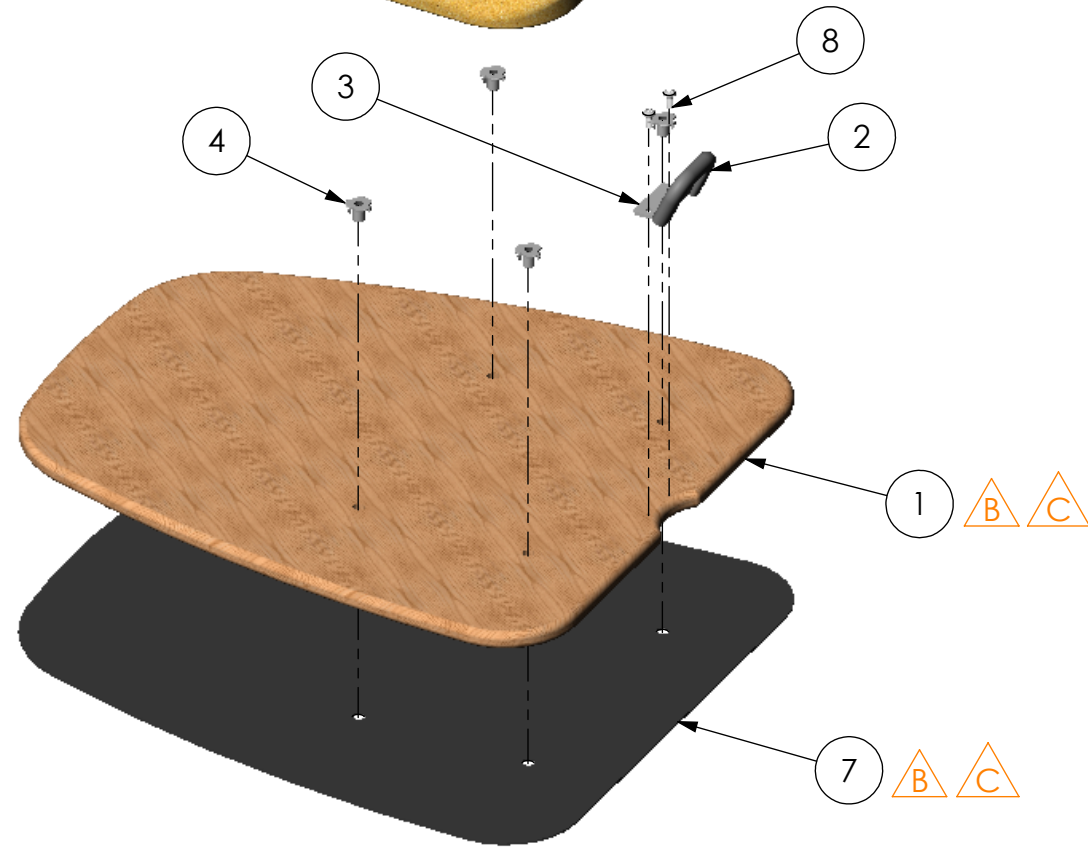
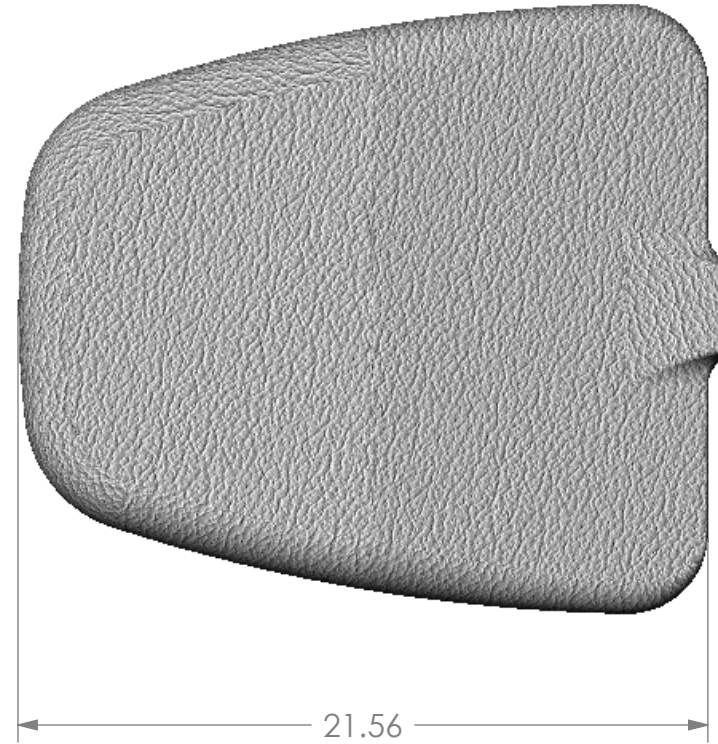
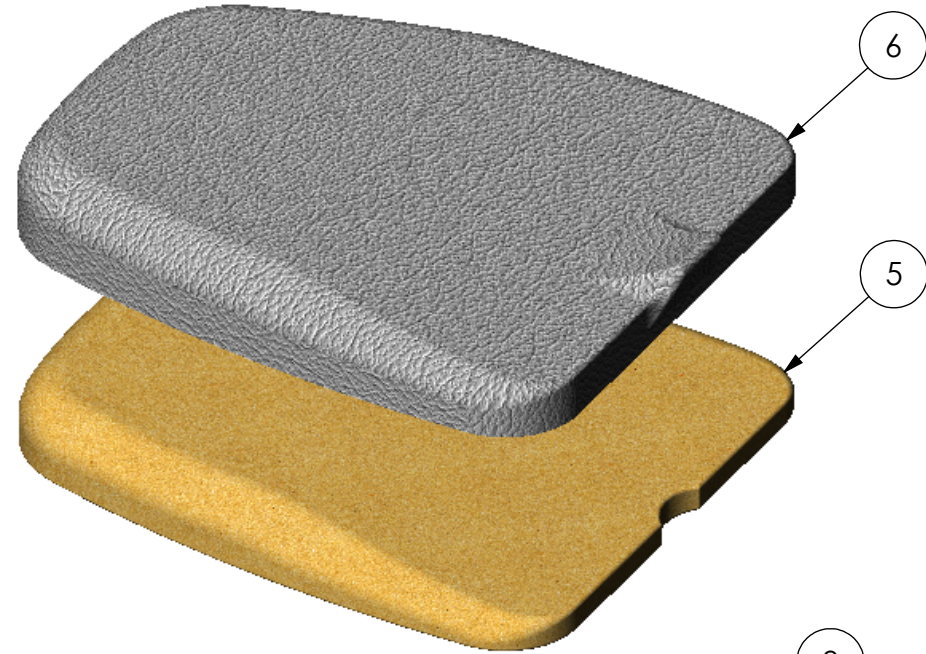


THE INFORMATION CONTAINED IN THIS DRAWING IS THE SOLE PROPERTY OF
 ALTIMATE MEDICAL. ANY REPRODUCTION IN PART OR WHOLE WITHOUT
 THE WRITTEN PERMISSION OF ALTIMATE MEDICAL IS PROHIBITED.

NOTE:
 1. STAPLE COVER AND FELT TO WOOD USING BLACK STAPLES.

REVISIONS				
REV:	DESCRIPTION:	ECO #:	DATE:	APPROVED:
000	NEW RELEASE.	05-ECO-001	8/8/05	GJR
A	SHORTENED LENGTH BY 1/2"	05-ECO-008	10/17/05	GJR
B	REVISED ITEMS NG30005 AND NG30059.	DCR-00089	11/27/06	MWL
C	REVISED ITEMS NG30005 AND NG30059.	DCR-00155	3/16/07	MWL



ITEM NO.	PART NO.	REV	QTY.	NAME
1	NG30005	C	1	BOARD SEAT LARGE
2	NG30007	000	1	FOAM STRIP SEAT LARGE
3	NG10058	000	1	BRACKET UPHOLSTRY
4	600177	000	4	TEE NUT M8 X 1.25
5	NG30057	A	1	CUSHION CONTOURED SEAT LG
6	NG30058	A	1	COVER SEAT COUNTOURED LG
7	NG30059	C	1	FELT SEAT LARGE
8	80708	000	2	PAN HEAD BOLT

IF BOX CONTAINS AN "X", SEE NOTES THAT APPLY TO EACH SUBJECT. <input type="checkbox"/> SEE SHIPPING INSTRUCTIONS <input type="checkbox"/> RECEIVING INSPECTION <input type="checkbox"/> SEE ENVIRONMENTAL INSTRUCTIONS	APPROVED:	DATE:	UNLESS OTHERWISE SPECIFIED DIMENSIONS ARE IN INCHES. TOLERANCES AND SPECS. ARE: DECIMALS: .X ± .1 .XX ± .03 .XXX ± .015 ANGLES: .X ± .5° HOLE SIZE TOLERANCE: (+.005/- .000) BREAK EDGES .005 - .015 CMFR DRILLED HOLES .03 X 45°	ALTIMATE MEDICAL, INC. PO BOX 180 - 262 WEST FIRST STREET - MORTON, MN 56270 PHONE (507) 697-6393 FAX (507) 697-6900 DESCRIPTION: PAD SEAT COUNTOURED LARGE SIZE DWG. NO. NG30006 REV. C SCALE = 1:6 CAD FILE NAME: NG30006 SHEET 1 OF 1	
	DRAWN: MWL	DATE: 8/8/05			MATERIAL:
	OPTION NUMBER:	FINISH: -			CODE: UPSTRY