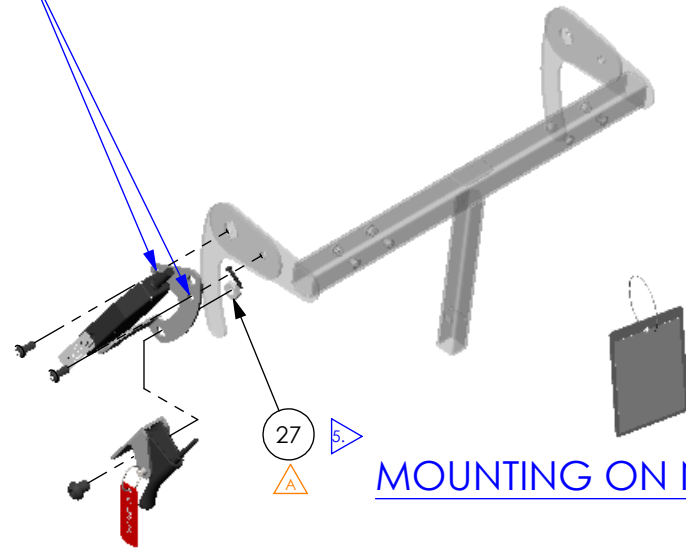


THE INFORMATION CONTAINED IN THIS DRAWING IS THE SOLE PROPERTY OF ALTIMATE MEDICAL. ANY REPRODUCTION IN PART OR WHOLE WITHOUT THE WRITTEN PERMISSION OF ALTIMATE MEDICAL IS PROHIBITED.

NOTE:

- SOME PARTS NOT PERTAINING TO THIS BOM ARE NOT SHOWN.
- PARTS SHOWN THAT DO NOT PERTAIN TO THIS BOM ARE REFERENCE ONLY.
- ASSEMBLE ITEM 600248 PRIOR TO ASSEMBLING 600001.
- ATTACH ITEM 80809 TO REAR CASTER TUBE NG50058.
- ITEM 600059 IS ONLY USED ON A NO-BACK OPTION.
- USE 600254 TO HOLD RELEASE CABLE IN PLACE.

ATTACH ON OUTSIDE OF GRAB HANDLE USING THESE HOLES. HARDWARE IS IN ASSEMBLY NG50097.

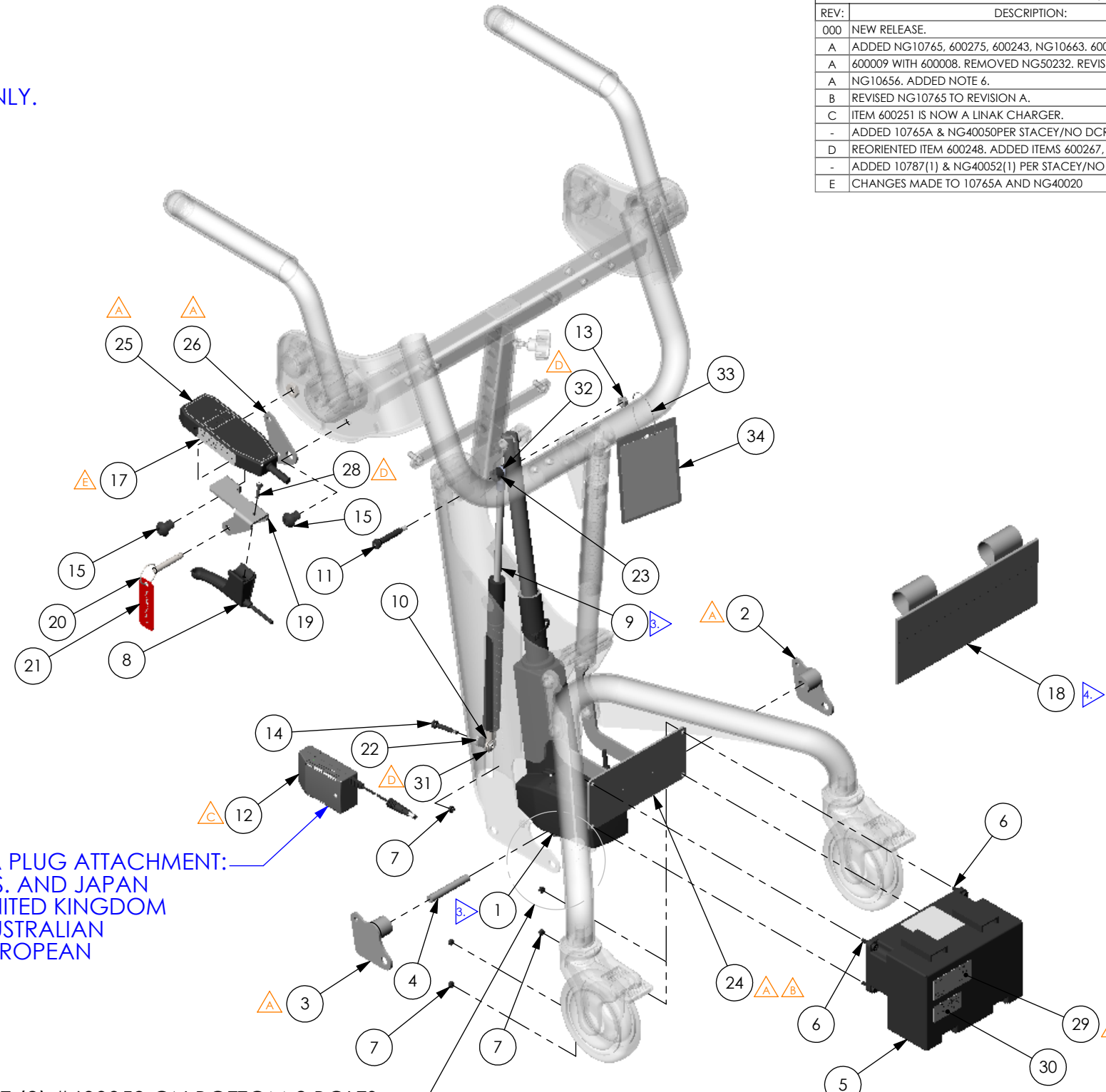


MOUNTING ON NO-BACK OPTION

ITEM NO.	PART NO.	REV	QTY.	NAME
1	600001	000	1	LINAK ACTUATOR EVOLV
2	NG10655	A	1	WELDMENT MOUNT LINAK RH
3	NG10656	A	1	WELDMENT MOUNT LINAK LH
4	600152	000	1	LINAK MOUNT PIN
5	600242	000	1	CONTROL BOX WITH BATTERIES
6	600119	000	4	BOLT M5 X .8 - 20 FULL TRD SHCS
7	600118	000	5	NUT M5 X .8 NYLON LOCK
8	600245	000	1	LEVER EMERGENCY RELEASE
9	600248	000	1	DAMPENER EMERGENCY RELEASE
10	80421	-	1	TABLE EXTENSION
11	600128	000	1	BOLT M8 X 40 SHOULDER
12	600251	A	1	BATTERY CHARGER
13	600008	000	1	NUT LOCK M6 X 1.0
14	600252	000	1	BOLT M6 X 30 SHOULDER
15	600148	000	2	BOLT M12 X 1.75 - 16 BTN SHCS
16	600254	000	2	TIE CABLE 8" LONG X .18 WIDE
17	NG40020	B	1	LABEL BATTERY CHARGER
18	80809	A	1	TOOL POUCH
19	NG10662	000	1	BRACKET RELEASE TRIGGER
20	92602	000	1	QUICK PIN
21	NG40021	000	1	EMERGENCY TAG
22	80103	-	3	FLAT WASHER
23	80420	A	2	SPACER BACK ADJUSTMENT TUBE YOUTH
24	NG10765	A	1	BRACKET BATTERY MOUNT WELDMENT
25	600243	000	1	HAND PENDANT LINAK
26	NG10663	000	1	BRACKET MOUNT HAND PENDANT
27	600059	000	1	NUT JAM M12 X 1.75
28	600413	000	1	SCREW #10 X 1 PAN HD
29	10765A	A	1	ELECTRIC LIFT LABEL
30	NG40050	000	1	ETL LISTED LABEL
31	600267	000	1	BALL JOINT ROD END M6 X 1.0
32	600268	000	1	EYELET END M6
33	10787	01	1	SNAP TIE 9" LG
34	NG40052	000	1	EMI CARD POWER UP OPTION

REQUIRES A PLUG ATTACHMENT:
 600400 - U.S. AND JAPAN
 600401 - UNITED KINGDOM
 600402 - AUSTRALIAN
 600403 - EUROPEAN

USE (2) #600059 ON BOTTOM 2 BOLTS FOR SHIPPING.



REVISIONS				
REV:	DESCRIPTION:	ECO #:	DATE:	APPROVED:
000	NEW RELEASE.	06-ECO-027	5/16/06	MWL
A	ADDED NG10765, 600275, 600243, NG10663, 600059 REPLACED	DCR-00143	3/7/07	MWL
A	600009 WITH 600008. REMOVED NG50232. REVISED NG10655 AND	DCR-00143	3/7/07	MWL
A	NG10656. ADDED NOTE 6.	DCR-00143	3/7/07	MWL
B	REVISED NG10765 TO REVISION A.	DCR-00304	12/3/07	MWL
C	ITEM 600251 IS NOW A LINAK CHARGER.	DCR-00449	9/5/08	MWL
-	ADDED 10765A & NG40050 PER STACEY/NO DCR REQUIRED	-	4/17/09	JVS
D	REORIENTED ITEM 600248. ADDED ITEMS 600267, 600268 & 600413.	DCR-00547	6/9/09	MWL
-	ADDED 10787(1) & NG40052(1) PER STACEY/NO DCR REQUIRED	-	7/20/09	JVS
E	CHANGES MADE TO 10765A AND NG40020	DCR-00918	4/24/12	TJF

IF BOX CONTAINS AN "X", SEE NOTES THAT APPLY TO EACH SUBJECT.	APPROVED:	DATE:	UNLESS OTHERWISE SPECIFIED DIMENSIONS ARE IN INCHES. TOLERANCES AND SPECS. ARE: DECIMALS .X ± .1 .XX ± .03 .XXX ± .015 HOLE SIZE TOLERANCE: (+.005/-.000) BREAK EDGES .005 - .015 CMFR DRILLED HOLES .03 X 45°	ALTIMATE MEDICAL, INC. PO BOX 180 - 262 WEST FIRST STREET - MORTON, MN 56270 PHONE (507) 697-6393 FAX (507) 697-6900 DESCRIPTION: ELECTRIC ACTUATOR ASM SIZE DWG. NO. NG50010 SCALE = 1:7 CAD FILE NAME: NG50010 SHEET 1 OF 1
<input type="checkbox"/> SEE SHIPPING INSTRUCTIONS	DRAWN: MWL	DATE: 10/5/04		
<input type="checkbox"/> RECEIVING INSPECTION	MATERIAL:	FINISH:		
<input type="checkbox"/> SEE ENVIRONMENTAL INSTRUCTIONS	OPTION NUMBER:	CODE: ASMBLY		