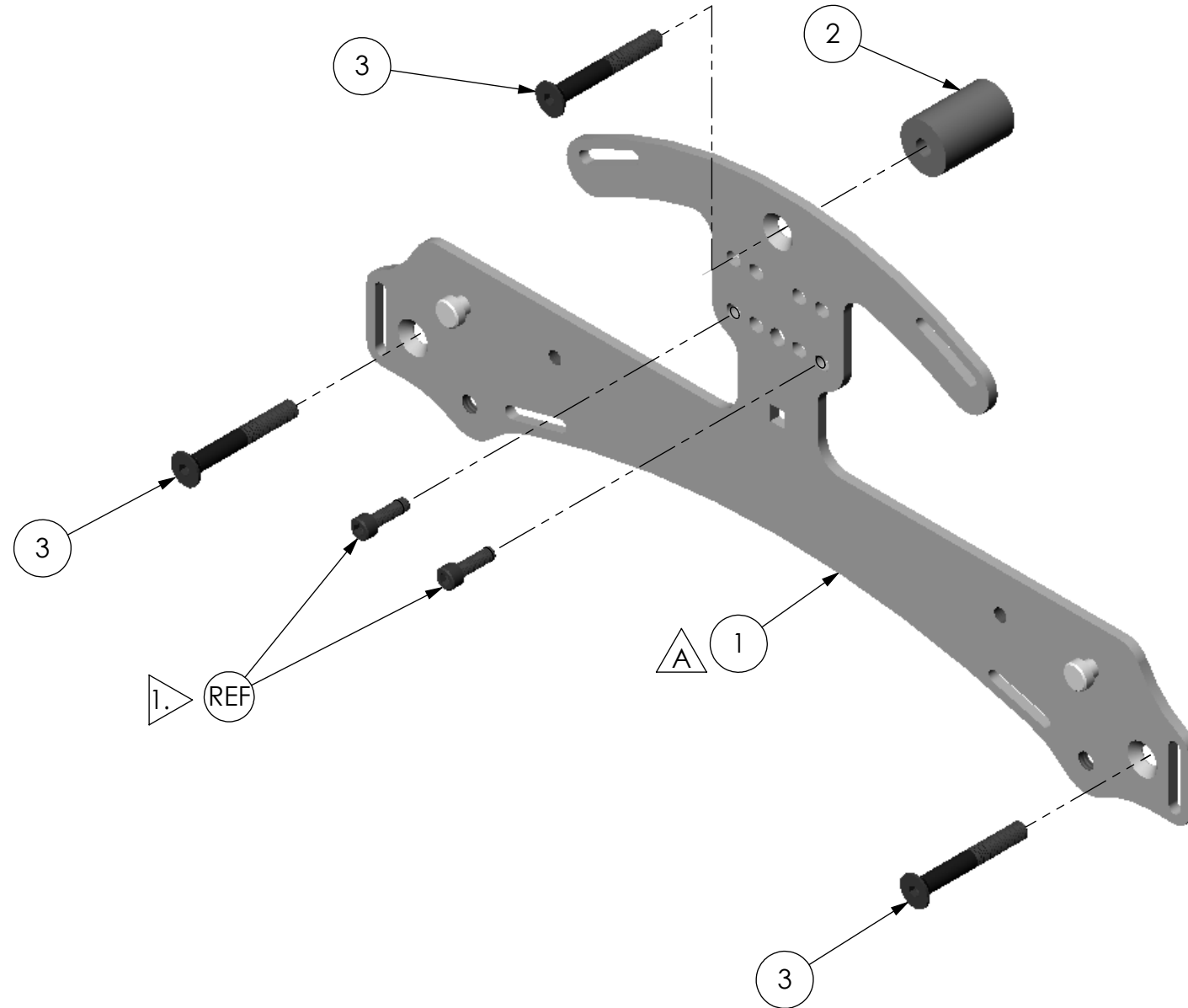


THE INFORMATION CONTAINED IN THIS DRAWING IS THE SOLE PROPERTY OF ALTIMATE MEDICAL. ANY REPRODUCTION IN PART OR WHOLE WITHOUT THE WRITTEN PERMISSION OF ALTIMATE MEDICAL IS PROHIBITED.

REVISIONS				
REV:	DESCRIPTION:	ECO #:	DATE:	APPROVED:
000	NEW RELEASE.	05-ECO-001	7/12/05	JVS
A	REPLACED PART NG10207 WITH WELDMENT NG10452.	-	1/9/06	MWL
B	REVISED NG10452 TO REV A	DCR-00730	11/11/10	JVS

**NOTE:**

- ITEMS 600008 AND 600022 ARE ONLY USED ON UNIVERSAL HEAD RESTS, REMOVE IF USING NG50037.
- ITEM NG20053 IS ONLY USED ON THE HIGH BACK.



ITEM NO.	PART NO.	REV	Default /QTY.	NAME
1	NG10452	A	1	BRACKET WLDMT ACCESSORIES MOUNT
2	NG20053	000	1	SPACER UNIVERSAL BRACKET
3	600181	-	3	BOLT FLTHD M8 X 1.25 - 60

IF BOX CONTAINS AN "X", SEE NOTES THAT APPLY TO EACH SUBJECT.

- SEE SHIPPING INSTRUCTIONS
- RECEIVING INSPECTION
- SEE ENVIRONMENTAL INSTRUCTIONS

APPROVED: \_\_\_\_\_ DATE: \_\_\_\_\_

DRAWN: MWL DATE: 2/25/05

OPTION NUMBER: -

MATERIAL:  
FINISH:  
CODE: ASMBLY

UNLESS OTHERWISE SPECIFIED DIMENSIONS ARE IN INCHES. TOLERANCES AND SPECS. ARE:

DECIMALS .X ± .1  
.XX ± .03  
.XXX ± .015  
ANGLES .X ± .5°  
HOLE SIZE TOLERANCE: (+.005/-.000)  
BREAK EDGES .005 - .015  
CMFR DRILLED HOLES .03 X 45°

**ALTIMATE MEDICAL, INC.**

PO BOX 180 - 262 WEST FIRST STREET - MORTON, MN 56270  
PHONE (507) 697-6393 FAX (507) 697-6900

DESCRIPTION: BRACKET ACCESSORY LG

SIZE DWG. NO. **NG50034** REV. B

SCALE = 1:2.5 CAD FILE NAME: NG50034 SHEET 1 OF 1