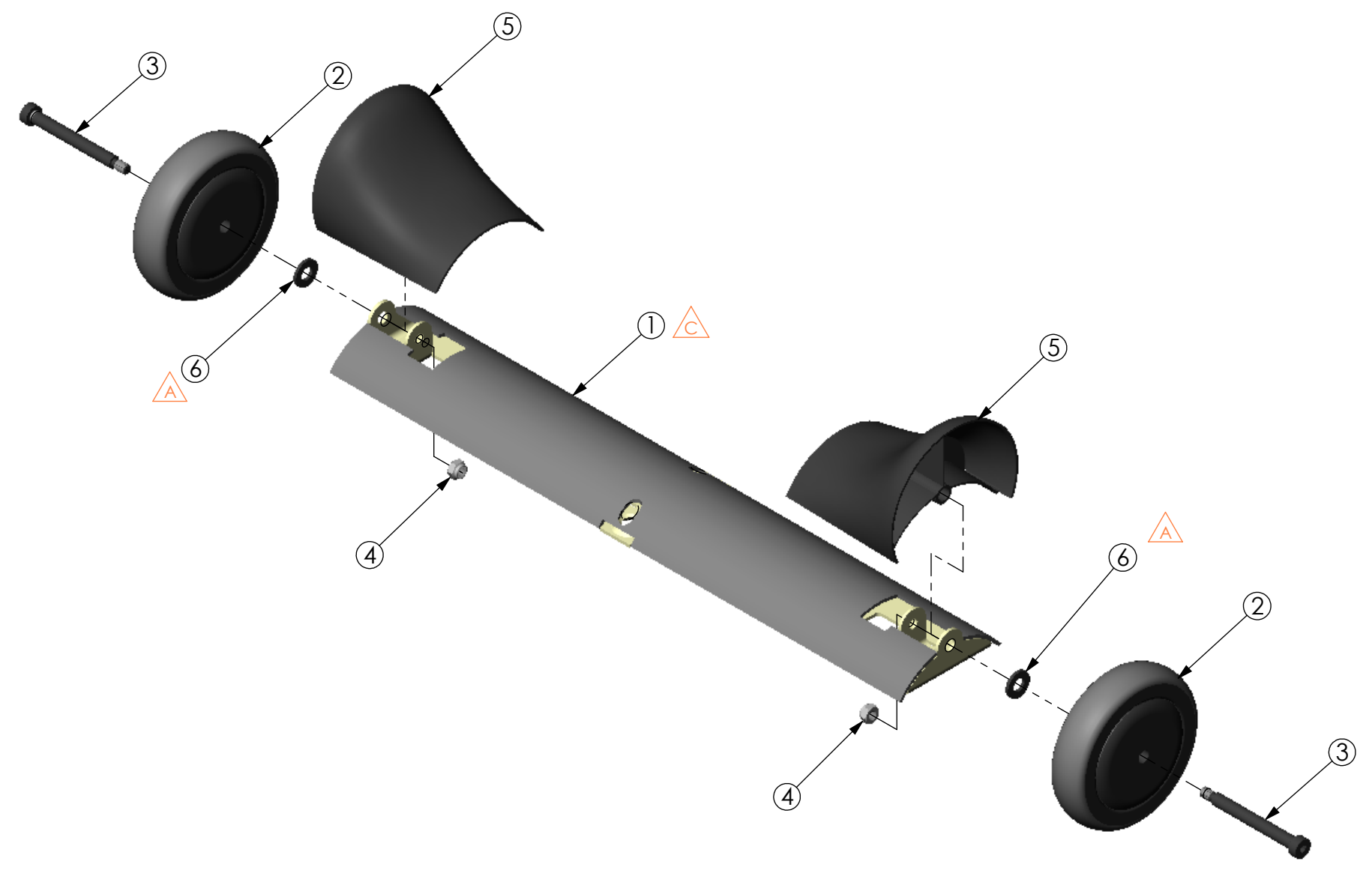


THE INFORMATION CONTAINED IN THIS DRAWING IS THE SOLE PROPERTY OF  
 ALTIMATE MEDICAL. ANY REPRODUCTION IN PART OR WHOLE WITHOUT  
 THE WRITTEN PERMISSION OF ALTIMATE MEDICAL IS PROHIBITED.

REVISIONS				
REV:	DESCRIPTION:	ECO #:	DATE:	APPROVED:
000	NEW RELEASE	05-ECO-001	7/12/05	JVS
A	ADDED 600147 FOR CLEARANCE BETWEEN WHEEL AND FENDER	05-ECO-030	12-22-05	GJR
B	DELETED (2) #600036	06-ECO-050	8/29/06	JVS
C	REVISE NG10024 TO REVISION D.	DCR-00289	11/14/07	MWL
D	REVISED NG10024 TO REV E	DCR-00369	3/19/08	JVS



ITEM NO.	PART NO.	REV	Default/QTY.	NAME
1	NG10024	E	1	FRAME FRONT WHEEL ASM
2	600006	A	2	WHEEL FRONT 125mm DIA
3	600021	000	2	BOLT SHLDR M10 X 80
4	600009	000	2	NUT LOCK M8 X 1.25
5	NG20007	000	2	WHEEL FENDER
6	600147	000	2	WASHER NYLON M10

IF BOX CONTAINS AN "X", SEE NOTES THAT APPLY TO EACH SUBJECT. <input type="checkbox"/> SEE SHIPPING INSTRUCTIONS <input type="checkbox"/> RECEIVING INSPECTION <input type="checkbox"/> SEE ENVIRONMENTAL INSTRUCTIONS	APPROVED:	DATE:	<b>UNLESS OTHERWISE SPECIFIED DIMENSIONS ARE IN INCHES. TOLERANCES AND SPECS. ARE:</b> DECIMALS      ANGLES .X ± .1          .X ± .5° .XX ± .03 .XXX ± .015 HOLE SIZE TOLERANCE: (+.005/-.000) BREAK EDGES .005 - .015 CMFR DRILLED HOLES .03 X 45°	<b>ALTIMATE MEDICAL, INC.</b> PO BOX 180 - 262 WEST FIRST STREET - MORTON, MN 56270 PHONE (507) 697-6393      FAX (507) 697-6900	
	DRAWN: JVS	DATE: 4/5/2005		MATERIAL:	DESCRIPTION: FRONT CASTER FRAME STANDARD
			FINISH: -	CODE: HDWARE	SIZE DWG. NO. <b>NG50055</b> SHEET 1 OF 1 SCALE = 1:4      CAD FILE NAME: NG50055