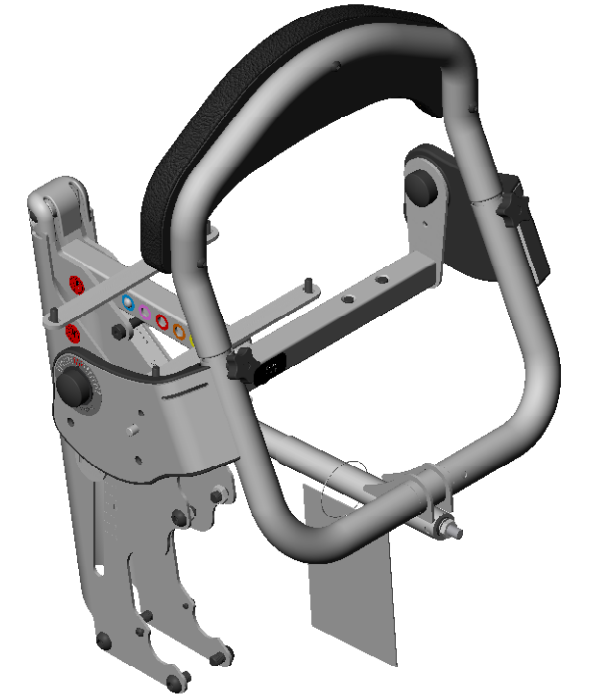
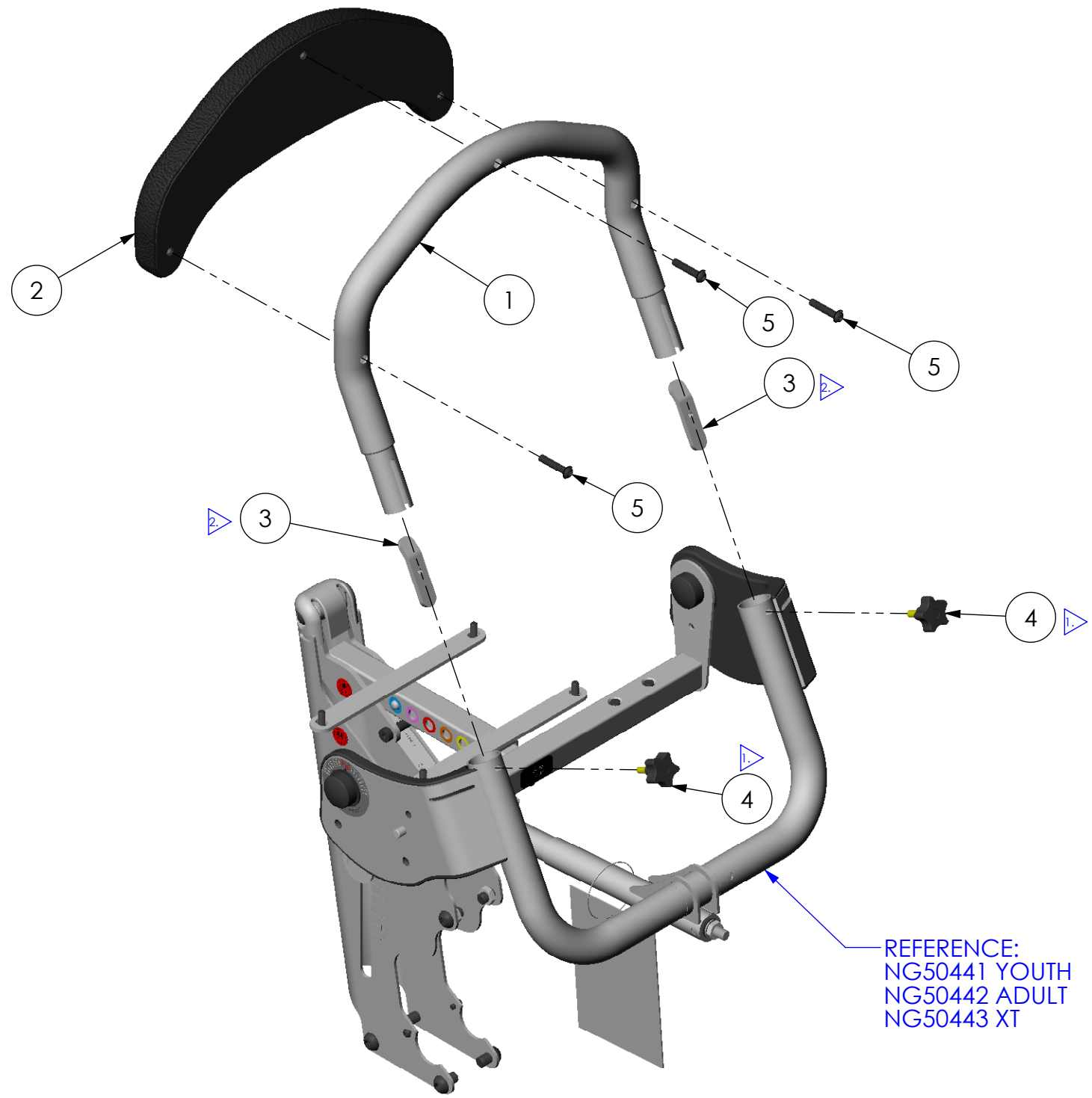


THE INFORMATION CONTAINED IN THIS DRAWING IS THE SOLE PROPERTY OF ALTIMATE MEDICAL. ANY REPRODUCTION IN PART OR WHOLE WITHOUT THE WRITTEN PERMISSION OF ALTIMATE MEDICAL IS PROHIBITED.

REVISIONS				
REV:	DESCRIPTION:	ECO #:	DATE:	APPROVED:
000	NEW RELEASE.	06-ECO-001	1/23/06	MWL
A	REPLACED NG50086 WITH NG50165.	06-ECO-051	11/31/06	MWL
B	REVISED NG50165 TO REVISION A.	DCR-00111	11/11/07	MWL
C	REVISED NG50165 TO REVISION B.	DCR-00243	8/6/07	MWL
D	REVISED NG50165 TO REVISION C.	DCR-00291	11/15/07	MWL
E	REVISED NG50165 TO REVISION D.	DCR-00395	4/23/08	MWL
F	REORGANIZED BILL OF MATERIALS.	DCR-00459	10/27/08	MWL



REFERENCE:
NG50441 YOUTH
NG50442 ADULT
NG50443 XT

NOTE:
1. PEEN LAST THREAD OF KNOB (600054) AFTER THREADING ON TAB (NG10260).
2. NOTE ORIENTATION OF TAB.

ITEM NO.	PART NO.	REV	QTY.	NAME
1	NG10475	000	1	TUBE REMOVABLE BACK REST LOW
2	NG30046	A	1	PAD BACK REST FLAT LOW
3	NG10260	A	2	TAB INNER REMOVEABLE HANDLE
4	600054	000	2	KNOB M6 X 3/4 ZC 5 PT
5	600060	000	3	BOLT M8 X 1.25 X 40 BTN SHCS

IF BOX CONTAINS AN "X", SEE NOTES THAT APPLY TO EACH SUBJECT. <input type="checkbox"/> SEE SHIPPING INSTRUCTIONS <input type="checkbox"/> RECEIVING INSPECTION <input type="checkbox"/> SEE ENVIRONMENTAL INSTRUCTIONS	APPROVED:	DATE:	UNLESS OTHERWISE SPECIFIED DIMENSIONS ARE IN INCHES. TOLERANCES AND SPECS. ARE: DECIMALS ANGLES .X ± .1 .X ± .5° .XX ± .03 .XXX ± .015 HOLE SIZE TOLERANCE: (+.005/-.000) BREAK EDGES .005 - .015 CMFR DRILLED HOLES .03 X 45°	ALTIMATE MEDICAL, INC. PO BOX 180 - 262 WEST FIRST STREET - MORTON, MN 56270 PHONE (507) 697-6393 FAX (507) 697-6900 DESCRIPTION: BACK REMOVABLE LOW FLAT SIZE DWG. NO. NG50171 REV. F SCALE = 1:6 CAD FILE NAME: NG50171 SHEET 1 OF 1	
	DRAWN: MWL	DATE: 1/23/06			MATERIAL:
	EXPIRATION DATE: -	FINISH: -			CODE: ASMBLY