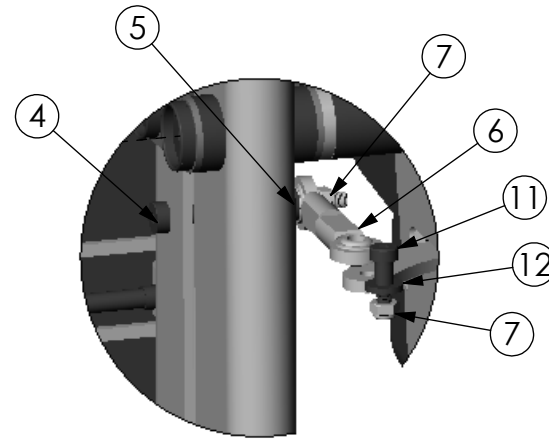
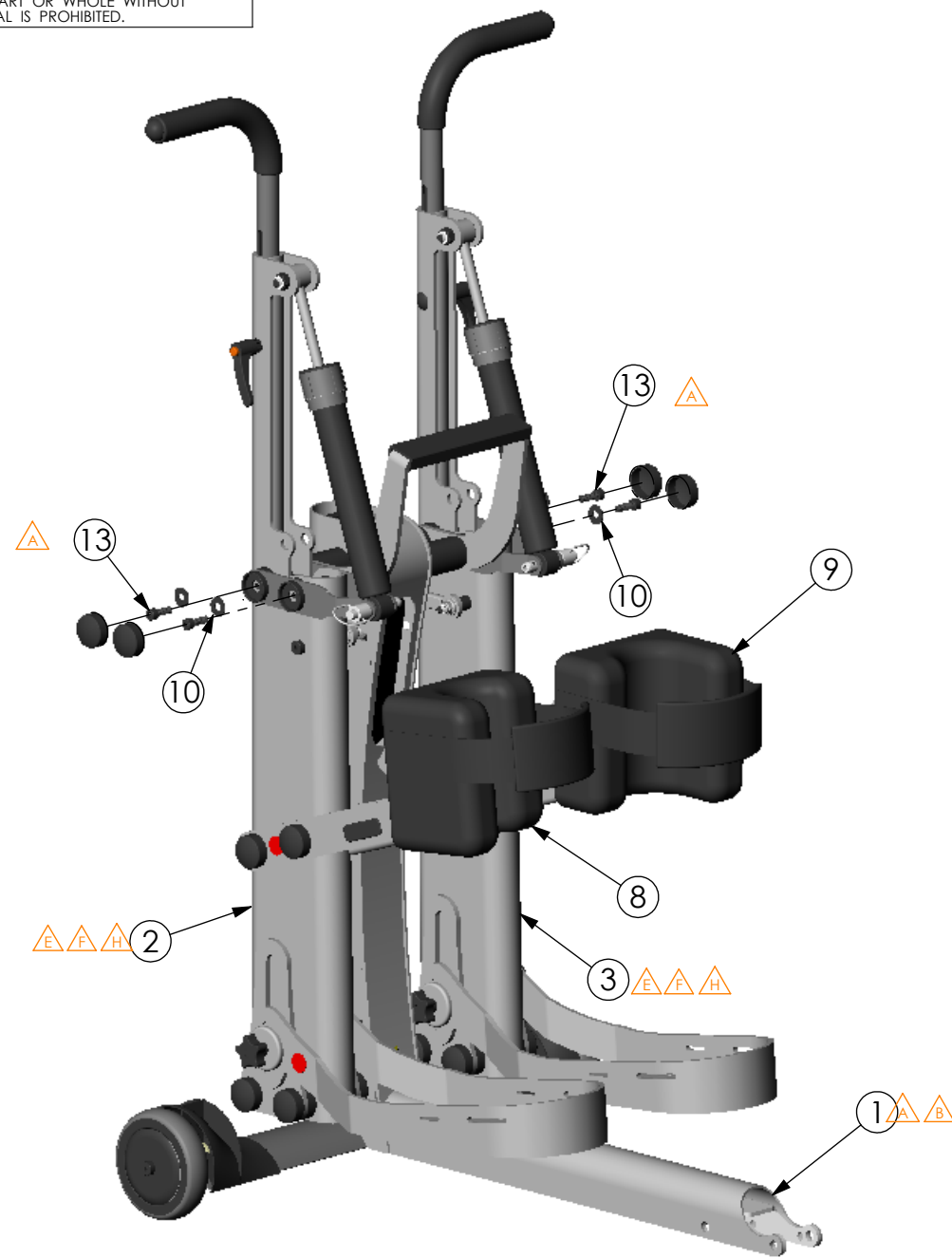
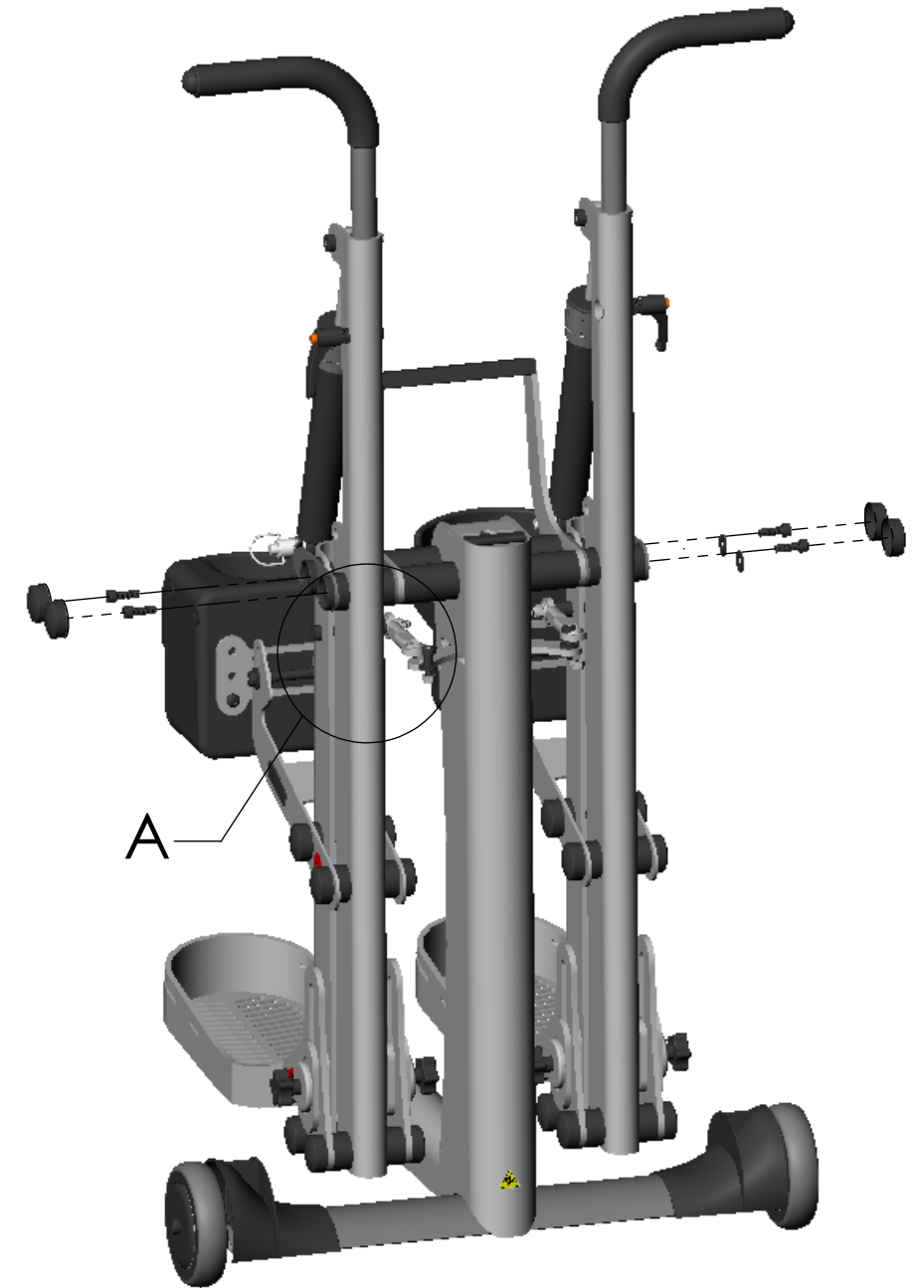


THE INFORMATION CONTAINED IN THIS DRAWING IS THE SOLE PROPERTY OF ALTIMATE MEDICAL. ANY REPRODUCTION IN PART OR WHOLE WITHOUT THE WRITTEN PERMISSION OF ALTIMATE MEDICAL IS PROHIBITED.

REVISIONS				
REV:	DESCRIPTION:	ECO #:	DATE:	APPROVED:
000	NEW RELEASE.	06-ECO-051	9/15/06	MWL
A	REVISED NG50023 TO A REV, DELETED 600062 & 600009	-	1/19/07	JVS
A	ADDED 600035	-	-	-
B	REVISED #NG50023.	DCR-00152	3/6/07	JVS
C	REVISED ITEM NG50014.	DCR-00160	3/19/07	MWL
D	REVISED NG20030 TO REV B	DCR-00245	8/9/07	MWL
E	REVISED NG50188 AND NG50189 FOR IMPROVED STRIDE.	DCR-00199	8/13/07	MWL
F	REVISED NG50188 AND NG50189 TO ADD GREASE.	DCR-00305	12/20/07	MWL
G	REVISED NG50188 & NG50189 TO REV C	-	7/12/11	JVS
H	REVISED NG50188 & NG50189 TO REV E	DCR-00931	6/8/12	JVS



DETAIL A
SCALE 2 : 7.5



ITEM NO.	PART NO.	REV	assembled/QTY.	NAME
1	NG50023	G	1	FRAME CENTER GLIDER
2	NG50188	C	1	ARM LEFT GLIDER YOUTH
3	NG50189	C	1	ARM RIGHT GLIDER YOUTH
4	600021	000	2	BOLT SHLDR M10 X 80
5	NG20030	B	2	FRAME PIVOT SPACER
6	600071	000	2	BALL JOINT ASSEMBLY METRIC
7	600009	000	4	NUT LOCK M8 X 1.25
8	NG30042	000	1	KNEE PAD LH W/STRAP
9	NG30043	000	1	KNEE PAD RH W/STRAP
10	91603	01	4	FLAT WASHER
11	600051	000	2	BOLT M10 X 16 SHOULDER
12	81359	-	2	NYLON WASHER
13	600035	000	4	BOLT M8 X 25 SHCS

IF BOX CONTAINS AN "X", SEE NOTES THAT APPLY TO EACH SUBJECT. <input type="checkbox"/> SEE SHIPPING INSTRUCTIONS <input type="checkbox"/> RECEIVING INSPECTION <input type="checkbox"/> SEE ENVIRONMENTAL INSTRUCTIONS	APPROVED:	DATE:	UNLESS OTHERWISE SPECIFIED DIMENSIONS ARE IN INCHES. TOLERANCES AND SPECS. ARE: DECIMALS .X ± .1 .XX ± .03 .XXX ± .015 HOLE SIZE TOLERANCE: (+.005/- .000) BREAK EDGES .005 - .015 CMFR DRILLED HOLES .03 X 45°	ALTIMATE MEDICAL, INC. PO BOX 180 - 262 WEST FIRST STREET - MORTON, MN 56270 PHONE (507) 697-6393 FAX (507) 697-6900 DESCRIPTION: NEW GENERATION YOUTH GLIDER SIZE DWG. NO. NG50187 SCALE = 1:7.5 CAD FILE NAME: NG50187 SHEET 1 OF 1	
	DRAWN: JVS	DATE: 12/7/04			MATERIAL:
	OPTION NUMBER:	FINISH: -			CODE: ASMBLY