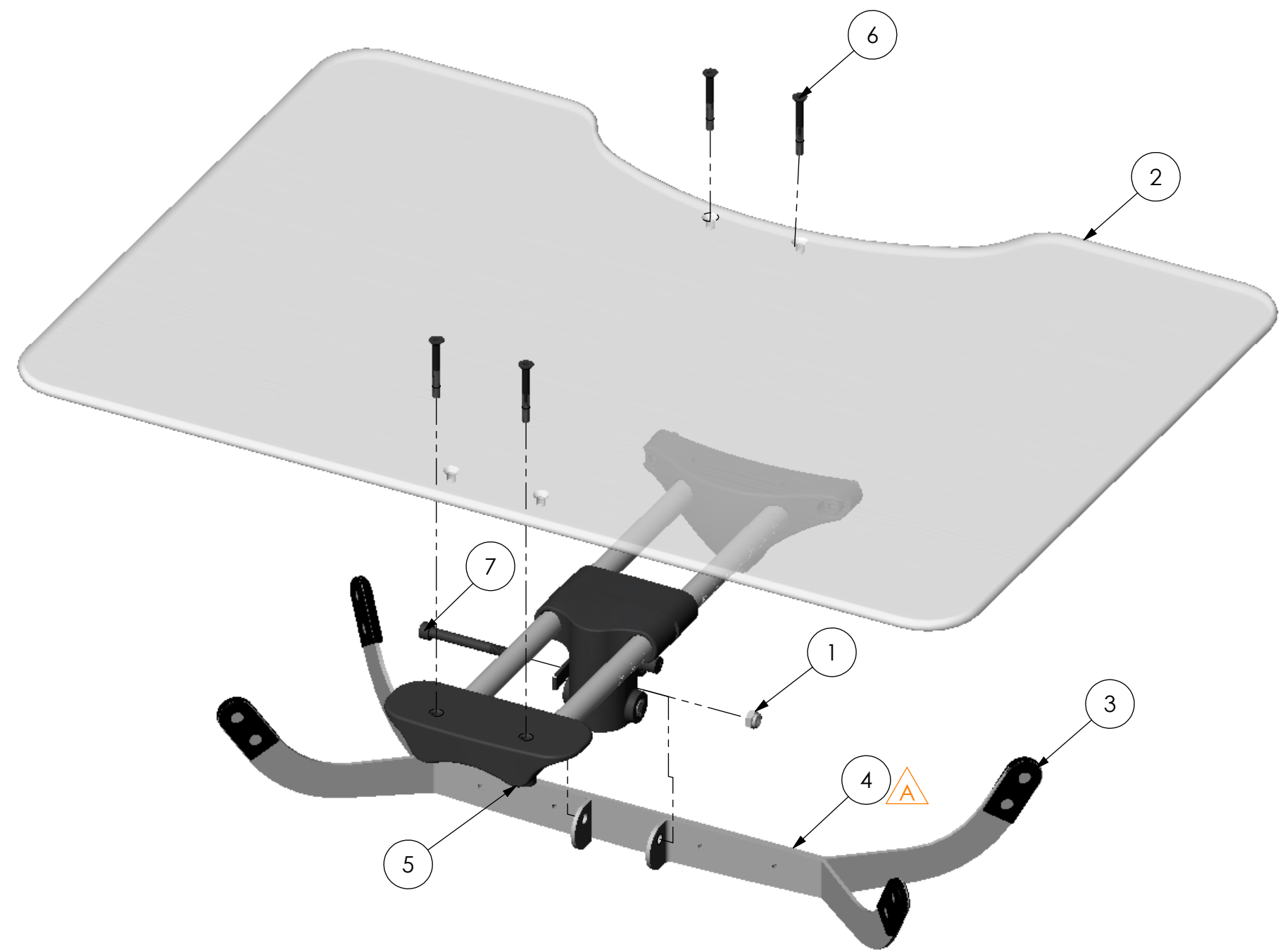


THE INFORMATION CONTAINED IN THIS DRAWING IS THE SOLE PROPERTY OF ALTIMATE MEDICAL. ANY REPRODUCTION IN PART OR WHOLE WITHOUT THE WRITTEN PERMISSION OF ALTIMATE MEDICAL IS PROHIBITED.

REVISIONS				
REV:	DESCRIPTION:	ECO #:	DATE:	APPROVED:
000	NEW RELEASE	DCR-00274	10/15/07	JVS
A	CHANGED NG10530 TO REV A	DCR-00510	3/25/09	JVS



ITEM NO.	PART NO.	REV	QTY.	NAME
1	600009	000	1	NUT LOCK M8 X 1.25
2	NG20072	000	1	TABLE OVERSIZED EVOLV LARGE
3	80189	00	4	VYNLE CAP WITH 2 HOLES
4	NG10530	A	1	TABLE OVERSIZED SUPPORT BRACKET
5	NG50341	A	1	TABLE SLIDE ASSEMBLY
6	600033	000	4	BOLT FLTHD M6 X 1.0-50
7	600372	00	1	SHCS M8 X 1.25-80

IF BOX CONTAINS AN "X", SEE NOTES THAT APPLY TO EACH SUBJECT.		APPROVED:		DATE:		UNLESS OTHERWISE SPECIFIED DIMENSIONS ARE IN INCHES. TOLERANCES AND SPECS. ARE: DECIMALS ANGLES .X ± .1 .X ± .5° .XX ± .03 .XXX ± .015 HOLE SIZE TOLERANCE: (+.005/-.000) BREAK EDGES .005 - .015 CMFR DRILLED HOLES .03 X 45°	ALTIMATE MEDICAL, INC. PO BOX 180 - 262 WEST FIRST STREET - MORTON, MN 56270 PHONE (507) 697-6393 FAX (507) 697-6900	
<input type="checkbox"/> SEE SHIPPING INSTRUCTIONS	<input type="checkbox"/> RECIEVING INSPECTION	DRAWN:	DATE:	MATERIAL:	DESCRIPTION: OVERSIZED TABLE ASSEMBLY			
<input type="checkbox"/> SEE ENVIRONMENTAL INSTRUCTIONS		JVS	10/9/2007	-	SIZE		REV.	
		OPTION NUMBER:		CODE:	DWG. NO.		A	
				ASMBLY	NG50194		SHEET 1 OF 1	