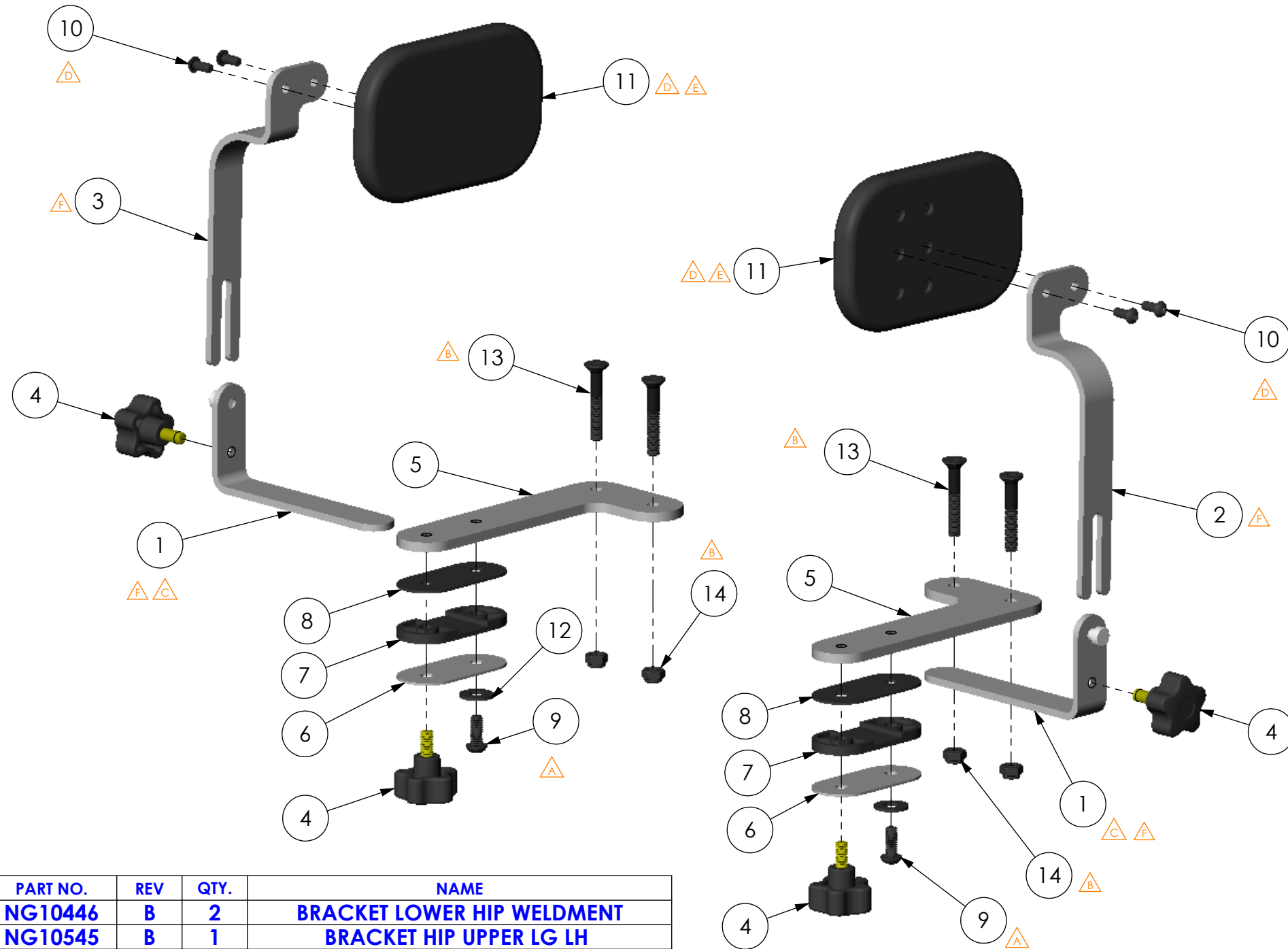


THE INFORMATION CONTAINED IN THIS DRAWING IS THE SOLE PROPERTY OF ALTIMATE MEDICAL. ANY REPRODUCTION IN PART OR WHOLE WITHOUT THE WRITTEN PERMISSION OF ALTIMATE MEDICAL IS PROHIBITED.

REVISIONS				
REV:	DESCRIPTION:	ECO #:	DATE:	APPROVED:
000	NEW RELEASE.	06-ECO-020	4/20/06	GJR
A	ITEM 600053 WAS 600138, 600125 WAS 600133.	06-ECO-031	5/31/06	MWL
B	REMOVED ITEM 600125. ADDED ITEMS 600095 AND 600009.	06-ECO-051	12/8/06	MWL
C	REVISED NG10446 TO REV A, CHANGED HOLE SPACING	-	6/7/07	JVS
D	REVISED NG30131 TO A MOLDED PART	DCR-00270	9/26/07	JVS
E	REVISED NG30131 TO REVISION B. NO PHYSICAL CHANGE TO PART.	DCR-00376	4/3/08	MWL
F	REVISED NG10446, NG10544, AND NG10545 ALL TO REV B	DCR-00986	9/18/12	TJF



ITEM NO.	PART NO.	REV	QTY.	NAME
1	NG10446	B	2	BRACKET LOWER HIP WELDMENT
2	NG10545	B	1	BRACKET HIP UPPER LG LH
3	NG10544	B	1	BRACKET HIP UPPER LG RH
4	600131	000	4	KNOB M8 X 25mm 5 POINT MALE
5	NG10355	A	2	BRACKET MOUNT HIP GUIDE RH
6	NG10357	A	2	CLAMP HIP GUIDES
7	NG20062	A	2	BUSHING CLAMP HIP GUIDE
8	NG20061	000	2	WASHER HIP GUIDE NYLON
9	600053	000	2	BOLT M8 X 20 BTN SHCS
10	600374	000	4	BOLT BTN SHCS M6 X 1.0 - 14
11	NG30131	B	2	PAD SUPPORT EVOLV FLAT
12	600108	000	2	FLAT WASHER M10
13	600095	01	4	BOLT M8 X 1.25 - 50 FHD
14	600009	000	4	NUT M8 X 1.25 NYLON LOCK

IF BOX CONTAINS AN "X", SEE NOTES THAT APPLY TO EACH SUBJECT. <input type="checkbox"/> SEE SHIPPING INSTRUCTIONS <input type="checkbox"/> RECEIVING INSPECTION <input type="checkbox"/> SEE ENVIRONMENTAL INSTRUCTIONS	APPROVED:	DATE:	UNLESS OTHERWISE SPECIFIED DIMENSIONS ARE IN INCHES. TOLERANCES AND SPECS. ARE: DECIMALS: .X ± .1 .XX ± .03 .XXX ± .015 HOLE SIZE TOLERANCE: (+.005/-.000) BREAK EDGES .005-.015 CMFR DRILLED HOLES .03 X 45°	ALTIMATE MEDICAL, INC. PO BOX 180 - 262 WEST FIRST STREET - MORTON, MN 56270 PHONE (507) 697-6393 FAX (507) 697-6900		
	DRAWN: JVS	DATE: 1/9/06		MATERIAL:	DESCRIPTION: HIP GUIDE ASSEMBLY LARGE	
	OPTION NUMBER: V710			FINISH: -	SIZE DWG. NO. NG50198	REV. F
				CODE: ASMBLY	SCALE = 1:3.2	CAD FILE NAME: NG50198 SHEET 1 OF 1