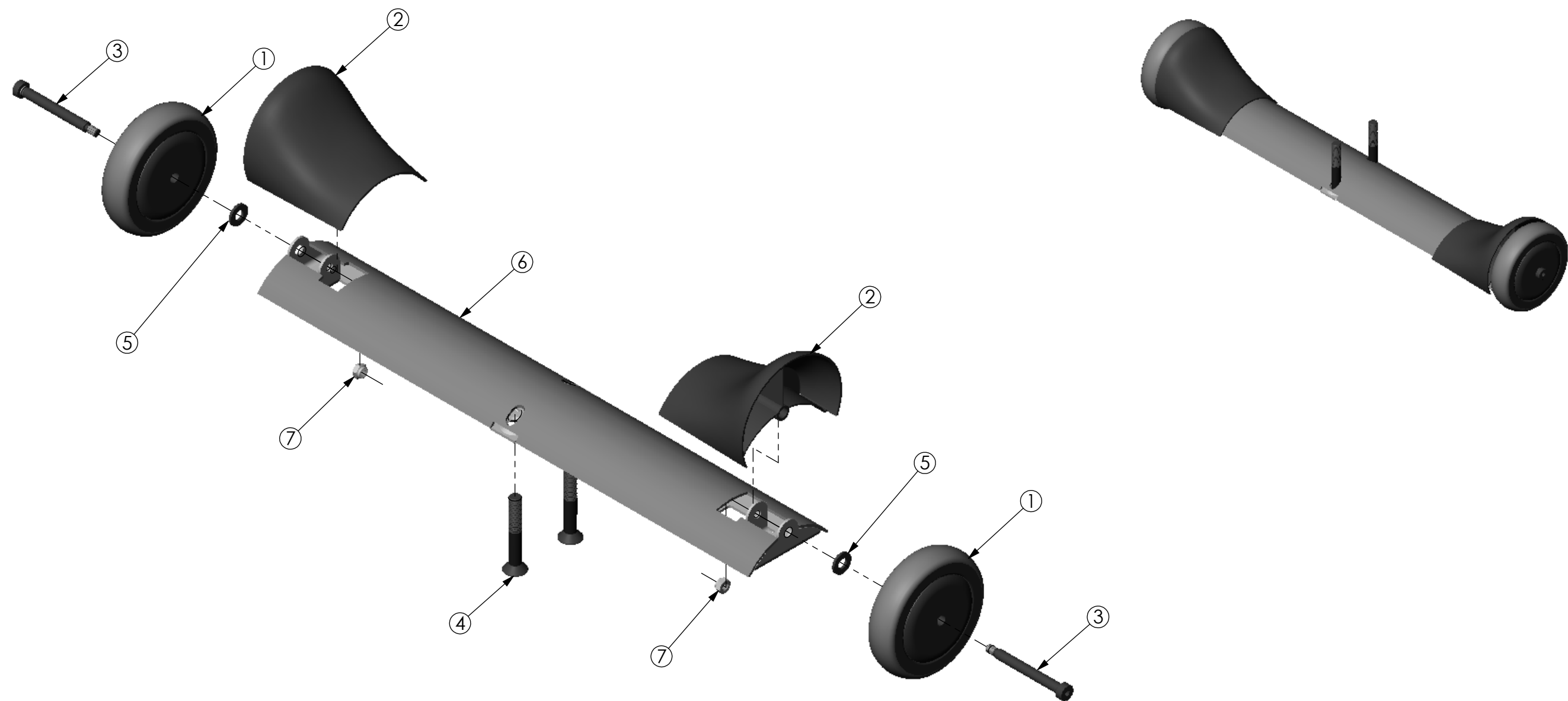


THE INFORMATION CONTAINED IN THIS DRAWING IS THE SOLE PROPERTY OF  
 ALTIMATE MEDICAL. ANY REPRODUCTION IN PART OR WHOLE WITHOUT  
 THE WRITTEN PERMISSION OF ALTIMATE MEDICAL IS PROHIBITED.

REVISIONS				
REV:	DESCRIPTION:	ECO #:	DATE:	APPROVED:
000	NEW RELEASE	DCR-00292	1/2/08	JVS
A	REVISED NG10426 TO REV A	DCR-00369	3/19/08	JVS



ITEM NO.	PART NO.	REV	Default/QTY.	NAME
1	600006	A	2	WHEEL FRONT 125mm DIA
2	NG20007	000	2	WHEEL FENDER
3	600021	000	2	BOLT SHLDR M10 X 80
4	600036	000	2	BOLT FLTHD M12 X 1.75-80
5	600147	000	2	WASHER NYLON M10
6	NG10426	A	1	FRAME FRONT WHEEL ASM EVOLV XL
7	600009	000	2	NUT LOCK M8 X 1.25

IF BOX CONTAINS AN "X", SEE NOTES THAT APPLY TO EACH SUBJECT.

- SEE SHIPPING INSTRUCTIONS
- RECEIVING INSPECTION
- SEE ENVIRONMENTAL INSTRUCTIONS

APPROVED: \_\_\_\_\_ DATE: \_\_\_\_\_

DRAWN: JVS DATE: 5/2/2006 MATERIAL: \_\_\_\_\_  
 FINISH: - CODE: ASMBLY

UNLESS OTHERWISE SPECIFIED  
 DIMENSIONS ARE IN INCHES.  
 TOLERANCES AND SPECS. ARE:  
 DECIMALS .X ± .1 ANGLES .X ± .5°  
 .XX ± .03  
 .XXX ± .015  
 HOLE SIZE TOLERANCE:  
 (+.005/-.000)  
 BREAK EDGES .005 - .015  
 CMFR DRILLED HOLES .03 X 45°

**ALTIMATE MEDICAL, INC.**  
 PO BOX 180 - 262 WEST FIRST STREET - MORTON, MN 56270  
 PHONE (507) 697-6393 FAX (507) 697-6900  
 DESCRIPTION:  
**FRONT CASTER FRAME STANDARD XL**  
 SIZE DWG. NO. **NG50207** REV. **A**  
 SCALE = 1:4 CAD FILE NAME: NG50207 SHEET 1 OF 1