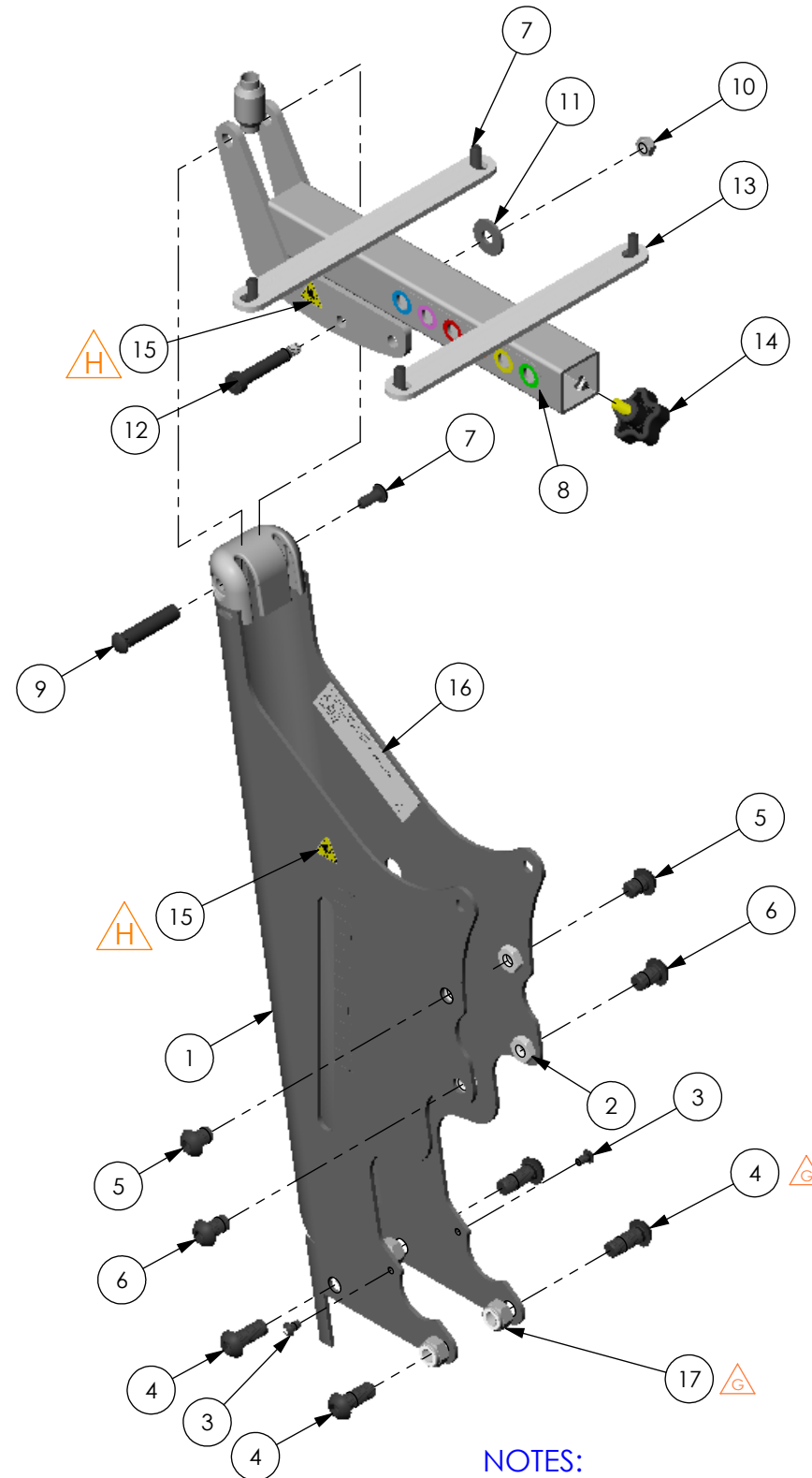


THE INFORMATION CONTAINED IN THIS DRAWING IS THE SOLE PROPERTY OF ALTIMATE MEDICAL. ANY REPRODUCTION IN PART OR WHOLE WITHOUT THE WRITTEN PERMISSION OF ALTIMATE MEDICAL IS PROHIBITED.

NOTE:
1. APPLY LABELS SYMMETRICALLY ON BOTH SIDES.

REVISIONS				
REV:	DESCRIPTION:	ECO #:	DATE:	APPROVED:
000	NEW RELEASE	DCR-00292	1/2/08	JVS
A	REVISED NG10483. ADDED 600371 AND NOTES. 600020 WAS QTY 2.	DCR-00437	5/2/08	MWL
B	ADDED STICKER NG40044 TO ASSEMBLY.	DCR-00452	9/3/08	MWL
C	REVISED 600371.	DCR-00457	9/16/08	MWL
D	REPLACED NG40044 WITH 600410.	DCR-00458	9/19/08	MWL
E	REORGANIZED BILL OF MATERIALS.	DCR-00459	10/27/08	MWL
F	REMOVED NG50100 FROM THIS BILL OF MATERIALS.	DCR-00613	10/29/09	MWL
G	REPLACED 600392 WITH 600274 AND 600011	DCR-00715	10/6/10	TJF
H	SWITCHED #80890 WITH Y4001, NEW PINCH STICKER	DCR-00919	5/1/12	JVS



ITEM NO.	PART NO.	REV	QTY.	NAME
1	NG10429	000	1	WELDMENT SEAT POST EVOLV XL
2	600059	000	4	NUT JAM M12 X 1.75
3	600037	000	2	BOLT BTNHD M6 X 1.0-10
4	600274	000	4	BOLT M12 X 1.75 - 30 BTN SHCS
5	600148	000	2	BOLT M12 X 1.75 - 16 BTN SHCS
6	600020	000	2	-
7	600053	000	5	BOLT M8 X 20 BTN SHCS
8	NG40015	000	1	LABEL SEAT DEPTH
9	600184	000	1	BOLT SEX M8-1.25 X .472 X 2.141 BARREL
10	600009	000	1	NUT LOCK M8 X 1.25
11	600108	000	1	WASHER M10 REGULAR
12	600213	000	1	BOLT SHOULDER M10 X 45
13	NG10480	000	1	SEAT WELDMENT EVOLV XL
14	600131	000	1	KNOB M8 X 25mm 5 POINT MALE
15	Y4001	00	4	LABEL HAND CRUSH
16	10765	A	1	SERIAL USA/CE NUMBER LABEL
17	600011	000	4	NUT M12 X 1.75 NYLON LOCK

NOTES:
1. GREEN RING INDICATES MAX SEAT DEPTH.
2. WARNING STICKERS ARE APPLIES SYMMETRICALLY ON BOTH SIDES OF THE SEAT POST.

IF BOX CONTAINS AN "X", SEE NOTES THAT APPLY TO EACH SUBJECT.	APPROVED: _____ DATE: _____	UNLESS OTHERWISE SPECIFIED DIMENSIONS ARE IN INCHES. TOLERANCES AND SPECS. ARE: DECIMALS .X ± .1 .XX ± .03 .XXX ± .015 ANGLES .X ± .5° HOLE SIZE TOLERANCE: (+.005/-.000) BREAK EDGES .005 - .015 CMFR DRILLED HOLES .03 X 45°	ALTIMATE MEDICAL, INC. PO BOX 180 - 262 WEST FIRST STREET - MORTON, MN 56270 PHONE (507) 697-6393 FAX (507) 697-6900 DESCRIPTION: SEAT & LIFT ASM XT SIZE DWG. NO. NG50209 REV. H SCALE = 1:5 CAD FILE NAME: NG50209 SHEET 1 OF 1
<input type="checkbox"/> SEE SHIPPING INSTRUCTIONS <input type="checkbox"/> RECEIVING INSPECTION <input type="checkbox"/> SEE ENVIRONMENTAL INSTRUCTIONS	DRAWN: JVS DATE: 10/29/07 MATERIAL: _____ FINISH: _____ CODE: ASMBLY		