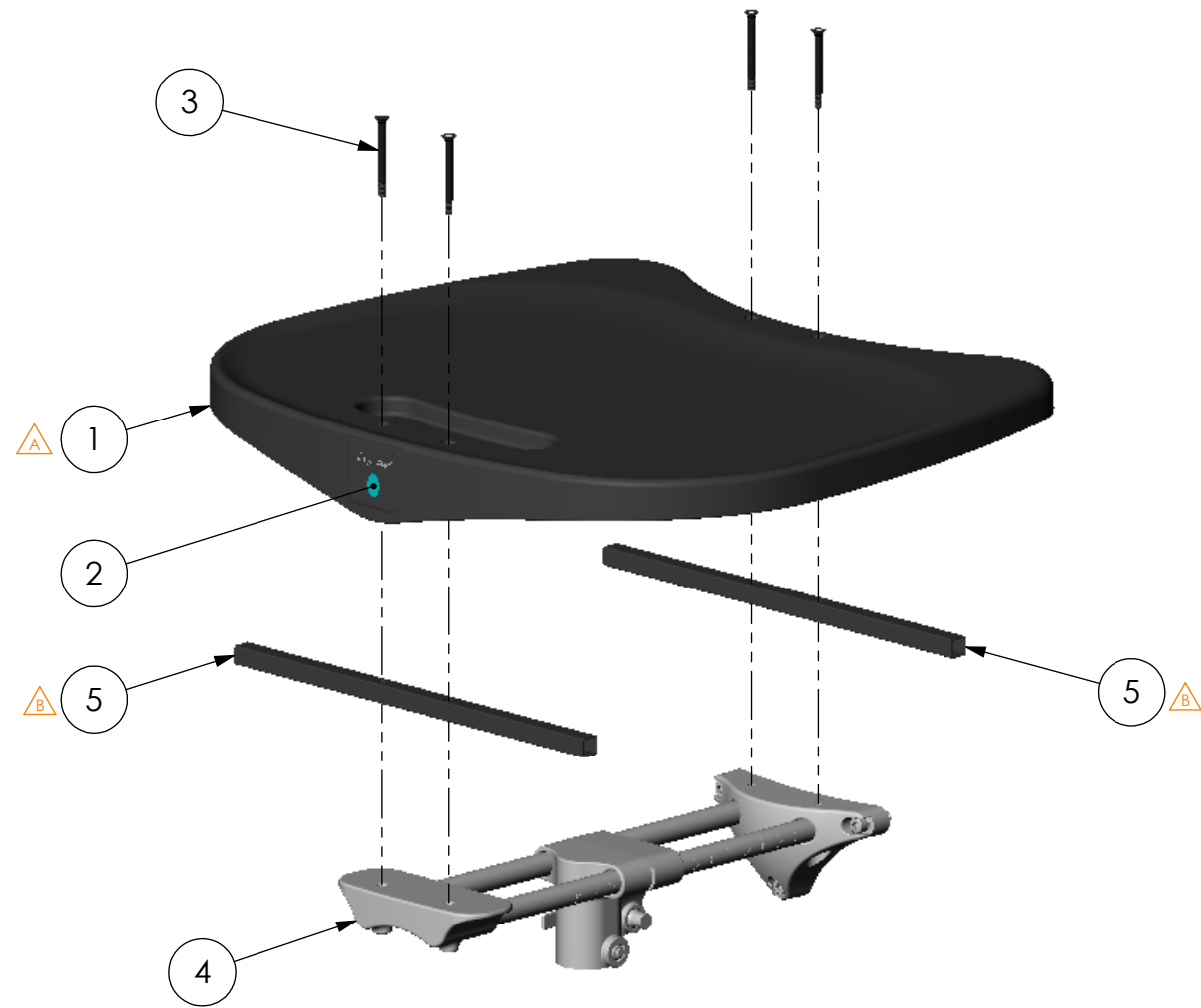


THE INFORMATION CONTAINED IN THIS DRAWING IS THE SOLE PROPERTY OF ALTIMATE MEDICAL. ANY REPRODUCTION IN PART OR WHOLE WITHOUT THE WRITTEN PERMISSION OF ALTIMATE MEDICAL IS PROHIBITED.

REVISIONS				
REV:	DESCRIPTION:	ECO #:	DATE:	APPROVED:
000	NEW RELEASE.	DCR-00310	12/19/07	MWL
A	REVISED NG20103 TO REVISION A.	DCR-00455	9/10/08	MWL
B	REVISED NG10809 TO REVISION A.	DCR-00827	9/7/11	TJF



ITEM NO.	PART NO.	REV	QTY.	NAME
1	NG20103	A	1	TABLE MOLDED EVOLV
2	99102	B	1	BLACK MOLDED TABLE LABEL
3	600320	000	4	BOLT M6 X 1.0 - 65 FLT SHCS
4	NG50341	C	1	TABLE SLIDE ASSEMBLY
5	NG10809	A	2	TUBE TABLE REINFORCEMENT

IF BOX CONTAINS AN "X", SEE NOTES THAT APPLY TO EACH SUBJECT. <input type="checkbox"/> SEE SHIPPING INSTRUCTIONS <input type="checkbox"/> RECEIVING INSPECTION <input type="checkbox"/> SEE ENVIRONMENTAL INSTRUCTIONS	APPROVED:	DATE:	<b>UNLESS OTHERWISE SPECIFIED DIMENSIONS ARE IN INCHES. TOLERANCES AND SPECS. ARE:</b> DECIMALS      ANGLES .X ± .1      .X ± .5° .XX ± .03 .XXX ± .015 HOLE SIZE TOLERANCE: (+.005/-.000) BREAK EDGES .005 - .015 CMFR DRILLED HOLES .03 X 45°	<b>ALTIMATE MEDICAL, INC.</b> PO BOX 180 - 262 WEST FIRST STREET - MORTON, MN 56270 PHONE (507) 697-6393      FAX (507) 697-6900 DESCRIPTION: TABLE EVOLV STANDARD SIZE DWG. NO. <b>NG50247</b> REV. <b>B</b> SCALE = 1:6      CAD FILE NAME: NG50247      SHEET 1 OF 1	
	DRAWN: MWL	DATE: 12/7/07			MATERIAL:
	OPTION NUMBER: -	FINISH: -			CODE: ASMBLY