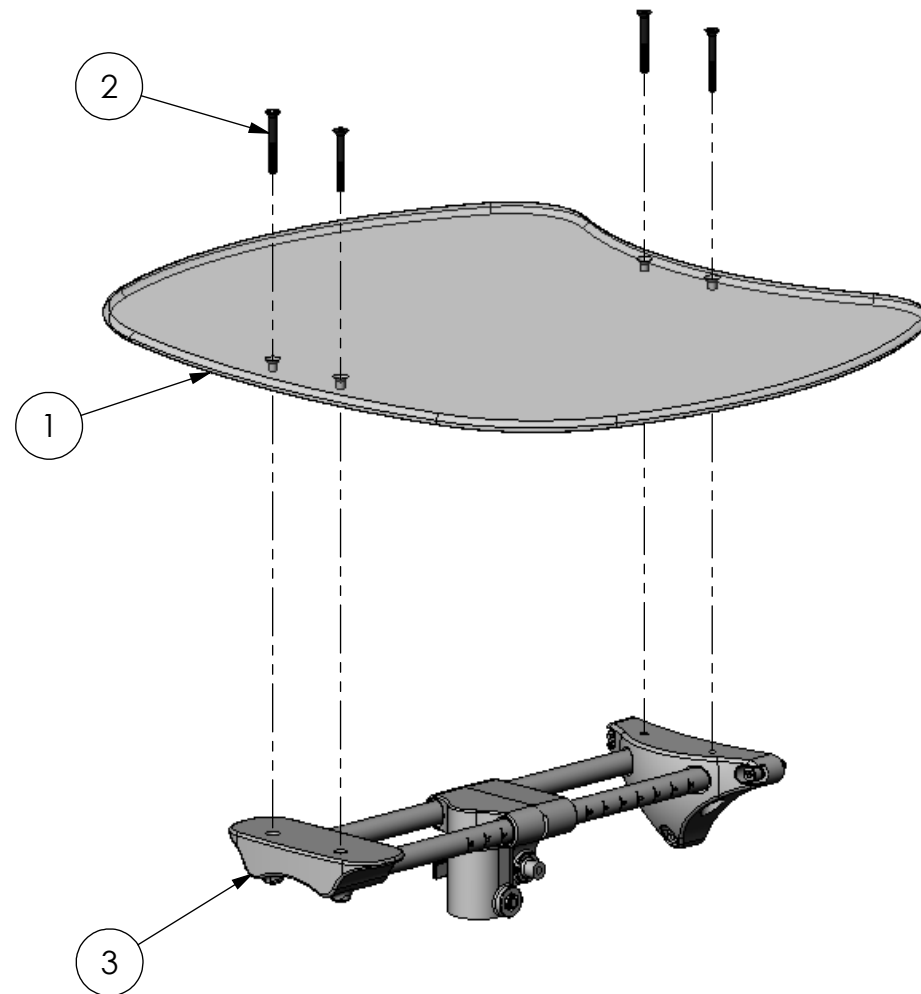


THE INFORMATION CONTAINED IN THIS DRAWING IS THE SOLE PROPERTY OF
 ALTIMATE MEDICAL. ANY REPRODUCTION IN PART OR WHOLE WITHOUT
 THE WRITTEN PERMISSION OF ALTIMATE MEDICAL IS PROHIBITED.

REVISIONS				
REV:	DESCRIPTION:	ECO #:	DATE:	APPROVED:
000	NEW RELEASE.	DCR-00310	12/19/07	MWL



ITEM NO.	PART NO.	REV	QTY.	NAME
1	NG20017	000	1	TABLE BASIC
2	600033	000	4	BOLT FLTHD M6 X 1.0-50
3	NG50341	C	1	TABLE SLIDE ASSEMBLY

IF BOX CONTAINS AN "X", SEE NOTES THAT APPLY TO EACH SUBJECT.

- SEE SHIPPING INSTRUCTIONS
- RECEIVING INSPECTION
- SEE ENVIRONMENTAL INSTRUCTIONS

APPROVED: _____ DATE: _____

DRAWN: MWL DATE: 12/7/07 MATERIAL: _____
 FINISH: -
 OPTION NUMBER: - CODE: ASMBLY

UNLESS OTHERWISE SPECIFIED DIMENSIONS ARE IN INCHES. TOLERANCES AND SPECS. ARE:

DECIMALS	ANGLES
.X ± .1	.X ± .5°
.XX ± .03	
.XXX ± .015	
HOLE SIZE TOLERANCE: (+.005/- .000)	
BREAK EDGES .005 - .015	
CMFR DRILLED HOLES .03 X 45°	

ALTIMATE MEDICAL, INC.
 PO BOX 180 - 262 WEST FIRST STREET - MORTON, MN 56270
 PHONE (507) 697-6393 FAX (507) 697-6900

DESCRIPTION: TABLE EVOLV ACRYLIC

SIZE DWG. NO. **NG50248** REV. A

SCALE = 1:6 CAD FILE NAME: NG50248 SHEET 1 OF 1