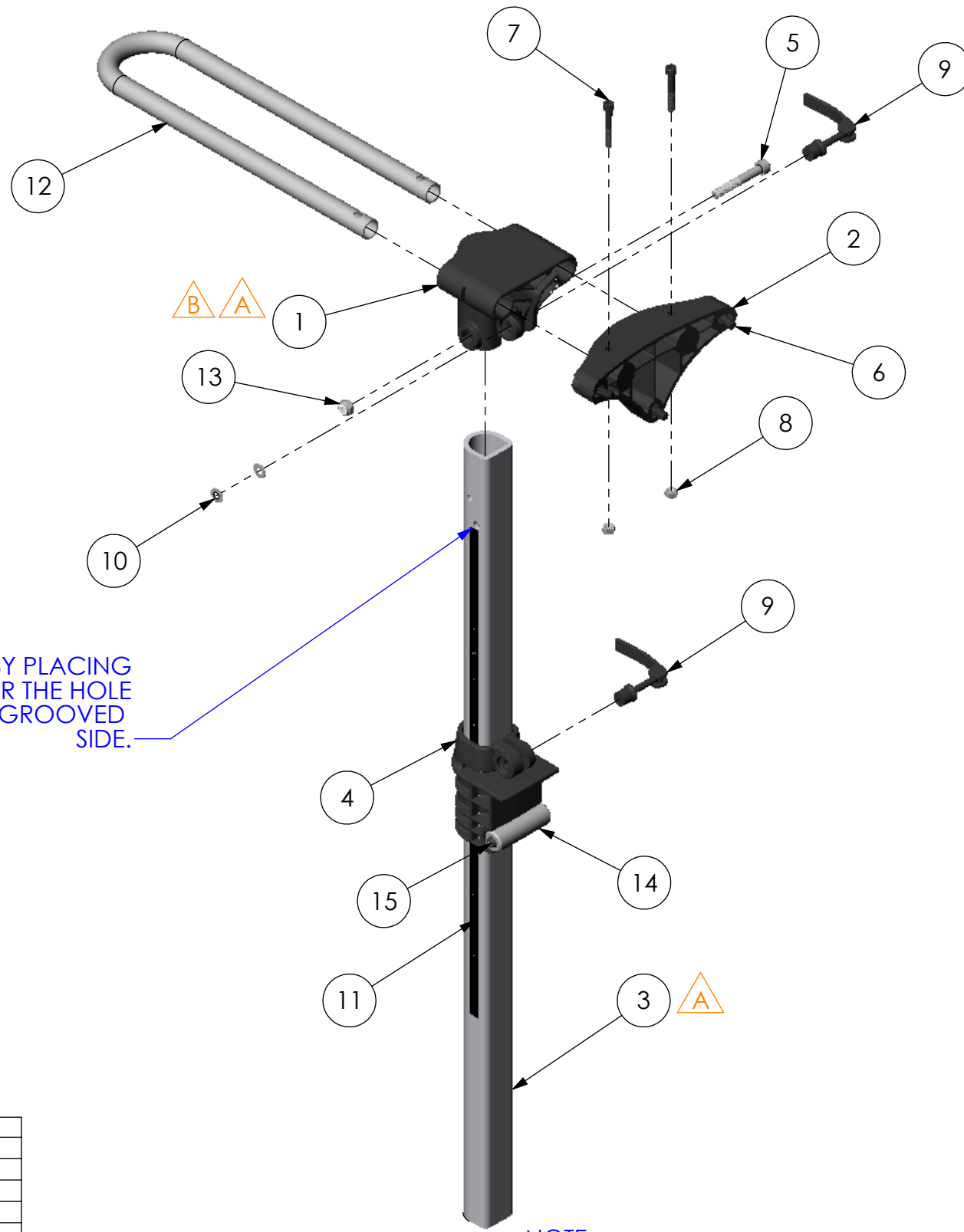


THE INFORMATION CONTAINED IN THIS DRAWING IS THE SOLE PROPERTY OF
 ALTIMATE MEDICAL. ANY REPRODUCTION IN PART OR WHOLE WITHOUT
 THE WRITTEN PERMISSION OF ALTIMATE MEDICAL IS PROHIBITED.

REVISIONS				
REV:	DESCRIPTION:	ECO #:	DATE:	APPROVED:
000	NEW RELEASE	DCR-00144	3/1/07	MWL
A	REVISED ITEMS NG10055 AND NG20004.	DCR-00160	3/19/07	MWL
B	REVISED #NG20004 TO REV B	DCR-00698	8/23/10	JVS



LOCATE LABEL BY PLACING
 IT RIGHT UNDER THE HOLE
 LOCATED ON THE GROOVED
 SIDE.

NOTE:
 1. TIGHTEN TOGGLE CLAMP UNTIL PROPER CLAMPING IS ACHIEVED.

ITEM NO.	PART NO.	REV	QTY.	NAME
1	NG20004	B	1	CLAMP NYLON TABLE TOP
2	NG20005	000	1	CLAMP NYLON TABLE REAR
3	NG10055	C	1	TUBE TABLE COLUMN
4	NG20003	A	1	CLAMP TABLE BOTTOM
5	600084	000	1	BOLT SHCS M8 X 1.25 - 55
6	600139	000	3	BOLT M8 X 30 SHCS
7	600115	000	2	BOLT M6 X 1.0 - 40 SHCS
8	600008	000	2	NUT LOCK M6 X 1.0
9	600017	000	2	CLAMP TOGGLE LOCK M6 X 1
10	80103	-	2	FLAT WASHER
11	NG40017	000	1	LABEL TABLE TUBE
12	NG10764	000	1	TUBE CHEST PAD NO TABLE OPTION
13	600009	000	1	NUT LOCK M8 X 1.25
14	NG10296	000	1	FRAME KNEE INNER SHAFT
15	600029	-	2	BOLT BTN HD M6X1-.20

IF BOX CONTAINS AN "X", SEE NOTES THAT APPLY TO EACH SUBJECT.		APPROVED:	DATE:	UNLESS OTHERWISE SPECIFIED DIMENSIONS ARE IN INCHES. TOLERANCES AND SPECS. ARE: DECIMALS: .X ± .1 ANGLES: .X ± .5° .XX ± .03 .XXX ± .015 HOLE SIZE TOLERANCE: (+.005/- .000) BREAK EDGES .005 - .015 CMFR DRILLED HOLES .03 X 45°	ALTIMATE MEDICAL, INC. PO BOX 180 - 262 WEST FIRST STREET - MORTON, MN 56270 PHONE (507) 697-6393 FAX (507) 697-6900 DESCRIPTION: ASMBLY NO-TABLE OPTION SIZE DWG. NO. NG50295 REV. B SCALE = 1:5 CAD FILE NAME: NG50295 SHEET 1 OF 1
<input type="checkbox"/> SEE SHIPPING INSTRUCTIONS	<input type="checkbox"/> RECEIVING INSPECTION	DRAWN: MWL	DATE: 3/1/07		
<input type="checkbox"/> SEE ENVIRONMENTAL INSTRUCTIONS		MATERIAL:	FINISH: -		
		CODE: ASMBLY			