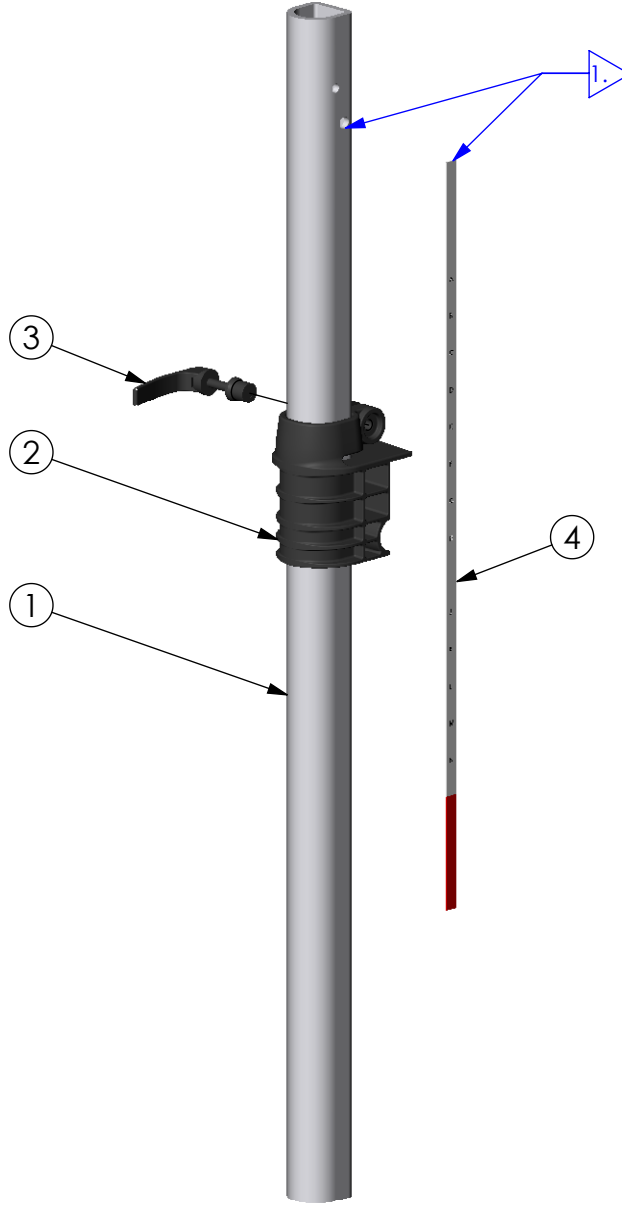


THE INFORMATION CONTAINED IN THIS DRAWING IS THE SOLE PROPERTY OF  
 ALTIMATE MEDICAL. ANY REPRODUCTION IN PART OR WHOLE WITHOUT  
 THE WRITTEN PERMISSION OF ALTIMATE MEDICAL IS PROHIBITED.

| REVISIONS |                      |           |         |           |
|-----------|----------------------|-----------|---------|-----------|
| REV:      | DESCRIPTION:         | ECO #:    | DATE:   | APPROVED: |
| 000       | NEW RELEASE.         | DCR-00310 | 1/2/08  | MWL       |
| A         | REMOVED ITEM 600333. | DCR-00462 | 11/3/08 | MWL       |



**NOTE:**  
 1. ALIGN TOP OF STICKER WITH BOTTOM OF HOLE.

| ITEM NO. | PART NO. | REV | QTY. | NAME                     |
|----------|----------|-----|------|--------------------------|
| 1        | NG10055  | C   | 1    | TUBE TABLE COLUMN        |
| 2        | NG20003  | A   | 1    | CLAMP TABLE BOTTOM       |
| 3        | 600017   | 000 | 1    | CLAMP TOGGLE LOCK M6 X 1 |
| 4        | NG40017  | 000 | 1    | LABEL TABLE TUBE         |

|   |   |            |                 |              |  |   |  |                        |              |
|---|---|------------|-----------------|--------------|--|---|--|------------------------|--------------|
| IF BOX CONTAINS AN "X", SEE NOTES THAT APPLY TO EACH SUBJECT. |   | APPROVED:  |                 | DATE:        |  | <b>UNLESS OTHERWISE SPECIFIED DIMENSIONS ARE IN INCHES. TOLERANCES AND SPECS. ARE:</b><br>DECIMALS      ANGLES<br>.X ± .1          .X ± .5°<br>.XX ± .03<br>.XXX ± .015<br>HOLE SIZE TOLERANCE:<br>(+.005/-.000)<br>BREAK EDGES .005 - .015<br>CMFR DRILLED HOLES .03 X 45° | <b>ALTIMATE MEDICAL, INC.</b><br>PO BOX 180 - 262 WEST FIRST STREET - MORTON, MN 56270<br>PHONE (507) 697-6393      FAX (507) 697-6900 |                        |              |
| <input type="checkbox"/> SEE SHIPPING INSTRUCTIONS            | <input type="checkbox"/> RECEIVING INSPECTION | DRAWN: JVS | DATE: 4/24/2007 | MATERIAL:    |  |   | DESCRIPTION:<br>TABLE POST ASSEMBLY  | SIZE DWG. NO.          | REV.         |
| <input type="checkbox"/> SEE ENVIRONMENTAL INSTRUCTIONS       |   |            |                 | FINISH: -    |  |   | NG50309  | A                      |              |
|   |   |            |                 | CODE: ASMBLY |  |   | SCALE = 1:5  | CAD FILE NAME: NG50309 | SHEET 1 OF 1 |