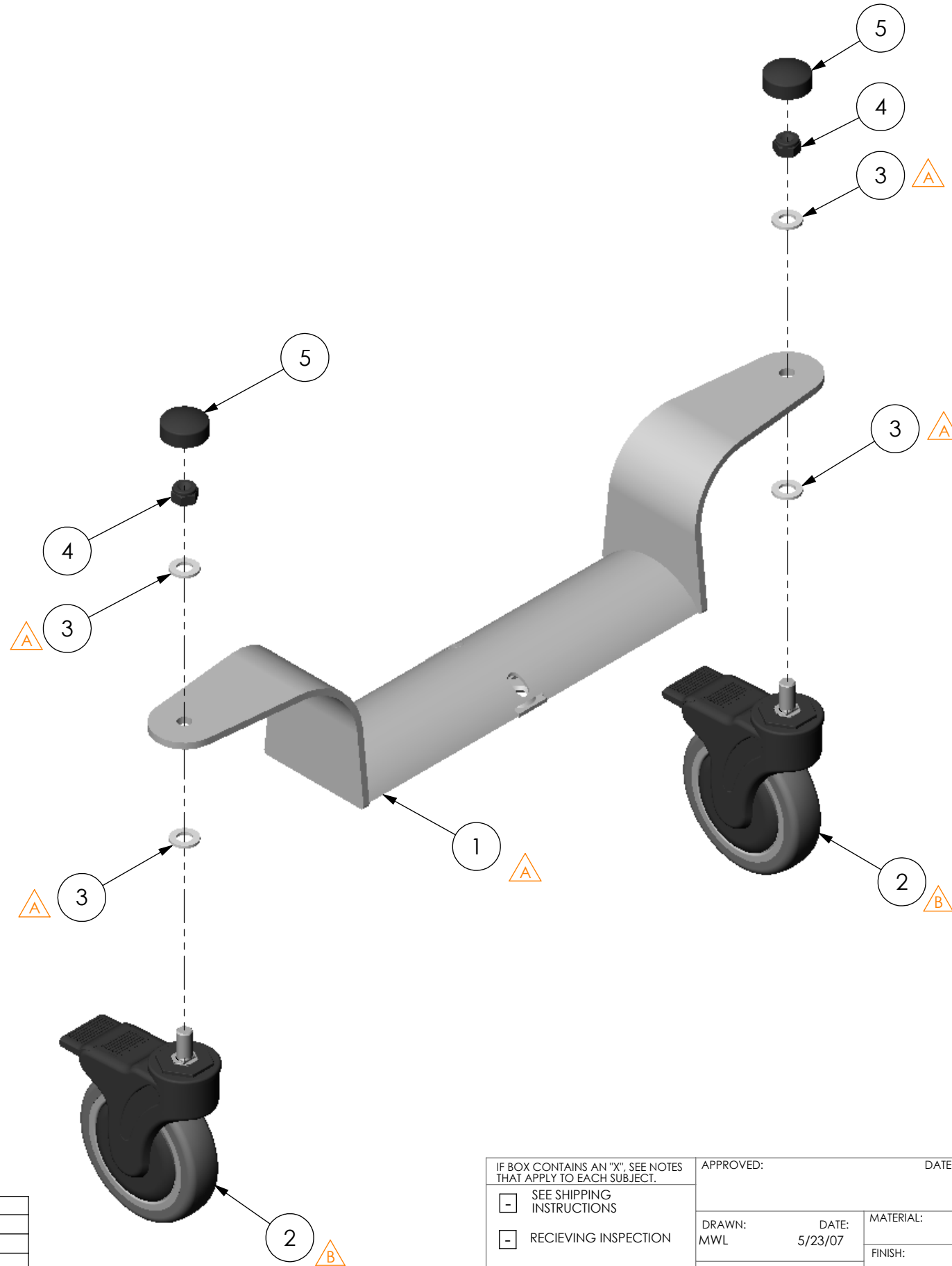


THE INFORMATION CONTAINED IN THIS DRAWING IS THE SOLE PROPERTY OF
 ALTIMATE MEDICAL. ANY REPRODUCTION IN PART OR WHOLE WITHOUT
 THE WRITTEN PERMISSION OF ALTIMATE MEDICAL IS PROHIBITED.

REVISIONS				
REV:	DESCRIPTION:	ECO #:	DATE:	APPROVED:
000	NEW RELEASE.	DCR-00269	11/13/07	MWL
A	REPLACED 600059 WITH 600011. ADDED 600325. REVISED NG10902.	DCR-00303	11/30/07	MWL
B	REVISED #600005 TO REV B	DCR-00699	8/25/10	JVS



ITEM NO.	PART NO.	REV	QTY.	NAME
1	NG10902	A	1	BRACKET FRONT CASTER
2	600005	B	2	CASTER 125mm BLACK
3	600325	000	4	WASHER FLAT M12
4	600011	000	2	NUT M12 X 1.75 NYLON LOCK
5	NG20027	000	2	COVER BUSHING

IF BOX CONTAINS AN "X", SEE NOTES THAT APPLY TO EACH SUBJECT.		APPROVED:	DATE:	UNLESS OTHERWISE SPECIFIED DIMENSIONS ARE IN INCHES. TOLERANCES AND SPECS. ARE: DECIMALS: .X ± .1, .XX ± .03, .XXX ± .015 ANGLES: .X ± .5° HOLE SIZE TOLERANCE: (+.005/- .000) BREAK EDGES: .005 - .015 CMFR DRILLED HOLES: .03 X 45°	ALTIMATE MEDICAL, INC. PO BOX 180 - 262 WEST FIRST STREET - MORTON, MN 56270 PHONE (507) 697-6393 FAX (507) 697-6900 DESCRIPTION: ASMBLY CASTER FRONT EVOLV SIZE DWG. NO. NG50314 REV. B SCALE = 1:4 CAD FILE NAME: NG50314 SHEET 1 OF 1
<input type="checkbox"/> SEE SHIPPING INSTRUCTIONS	DRAWN: MWL	DATE: 5/23/07	MATERIAL:		
<input type="checkbox"/> RECEIVING INSPECTION	OPTION NUMBER: -	FINISH: -	CODE: ASMBLY		
<input type="checkbox"/> SEE ENVIRONMENTAL INSTRUCTIONS					