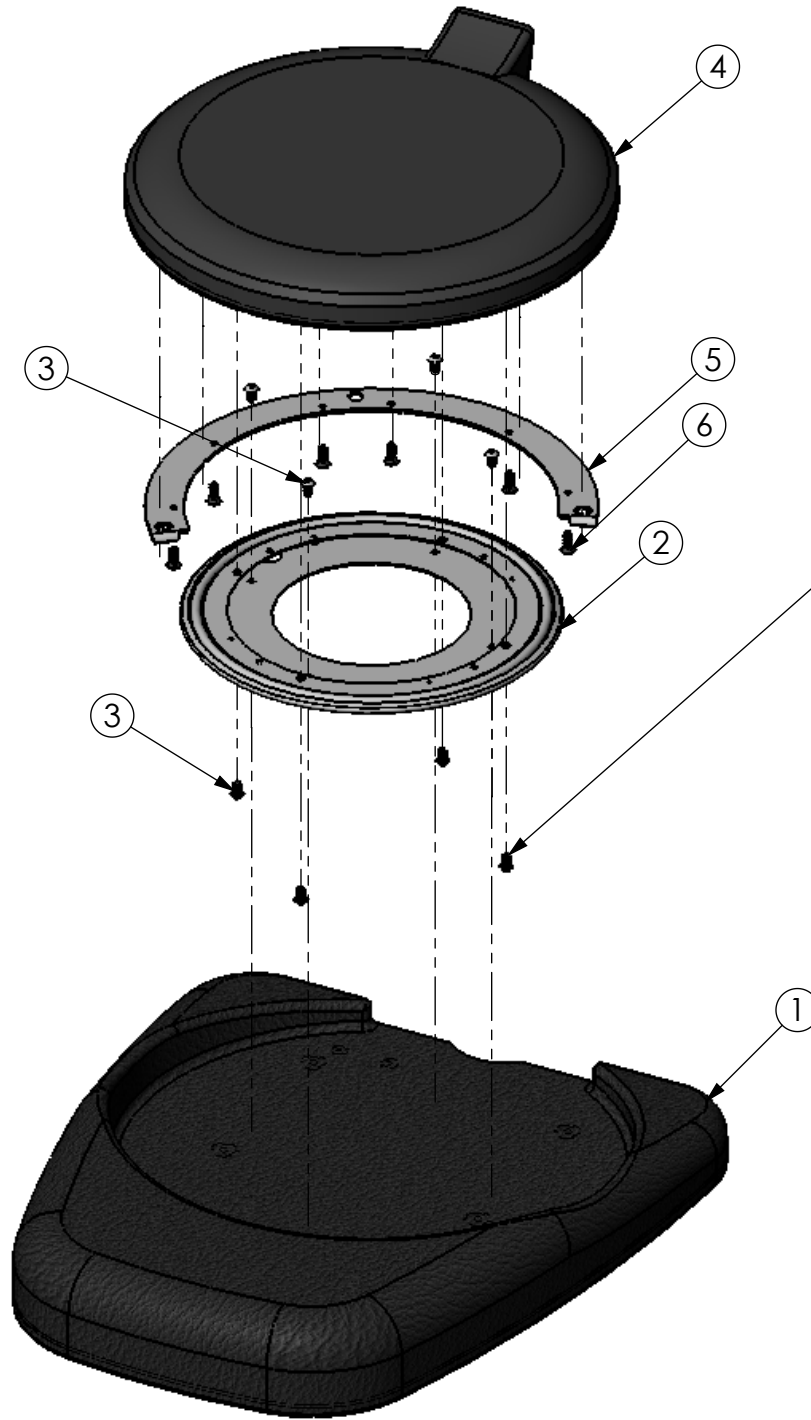
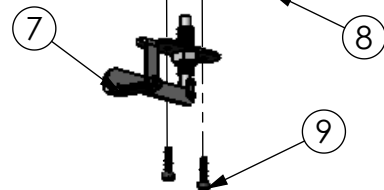
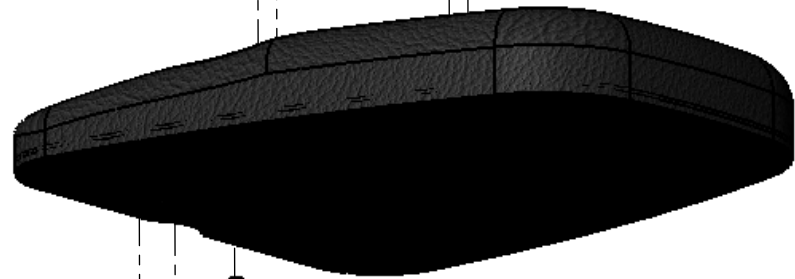
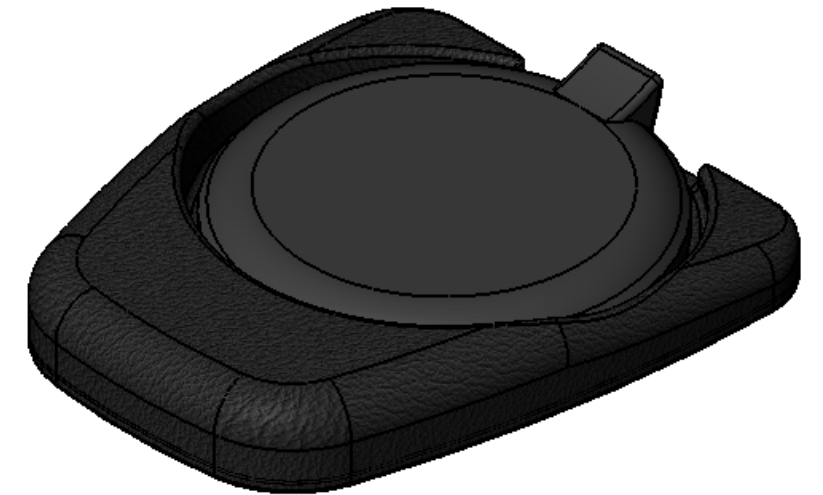


THE INFORMATION CONTAINED IN THIS DRAWING IS THE SOLE PROPERTY OF ALTIMATE MEDICAL. ANY REPRODUCTION IN PART OR WHOLE WITHOUT THE WRITTEN PERMISSION OF ALTIMATE MEDICAL IS PROHIBITED.

REVISIONS				
REV:	DESCRIPTION:	ECO #:	DATE:	APPROVED:
000	NEW RELEASE	DCR-00290	11/19/07	JVS



WHEN INSTALLING THESE SCREWS, YOU WILL HAVE TO GO THROUGH THE ENTRANCE HOLE ON THE BOTTOM OF THE SEAT AND LINE UP THE HOLE FROM THE BRACKET TO INSERT THE SCREW.



ITEM NO.	PART NO.	REV	QTY.	NAME
1	NG30210	000	1	PAD SEAT EVOLV LARGE SWIVEL
2	600297	000	1	BRACKET SWIVEL GALVANISED
3	600307	000	8	BOLT BTNHD M5 X .8-14
4	NG30215	000	1	PAD SEAT ROUND SWIVEL
5	NG10987	000	1	BRACKET ROUND SWIVEL SEAT
6	600158	000	6	BOLT #10 X .75 WOOD SCREW
7	NG50319	000	1	LEVER SWIVEL SEAT
8	10071	-	1	.75 RND CAP
9	600119	000	2	BOLT M5 X .8 - 20 FULL TRD SHCS

IF BOX CONTAINS AN "X", SEE NOTES THAT APPLY TO EACH SUBJECT.

- SEE SHIPPING INSTRUCTIONS
- RECEIVING INSPECTION
- SEE ENVIRONMENTAL INSTRUCTIONS

APPROVED: _____ DATE: _____

DRAWN: JVS DATE: 8/15/07 MATERIAL: _____
 FINISH: _____
 OPTION NUMBER: _____ CODE: ASMBLY

UNLESS OTHERWISE SPECIFIED DIMENSIONS ARE IN INCHES. TOLERANCES AND SPECS. ARE:
 DECIMALS .X ± .1 ANGLES .X ± .5°
 .XX ± .03
 .XXX ± .015
 HOLE SIZE TOLERANCE: (+.005/-.000)
 BREAK EDGES .005 - .015
 CMFR DRILLED HOLES .03 X 45°

ALTIMATE MEDICAL, INC.
 PO BOX 180 - 262 WEST FIRST STREET - MORTON, MN 56270
 PHONE (507) 697-6393 FAX (507) 697-6900
 DESCRIPTION: SEAT SWIVEL LARGE
 SIZE DWG. NO. **NG50318** REV. 000
 SCALE = 1:6 CAD FILE NAME: NG50318 SHEET 1 OF 1