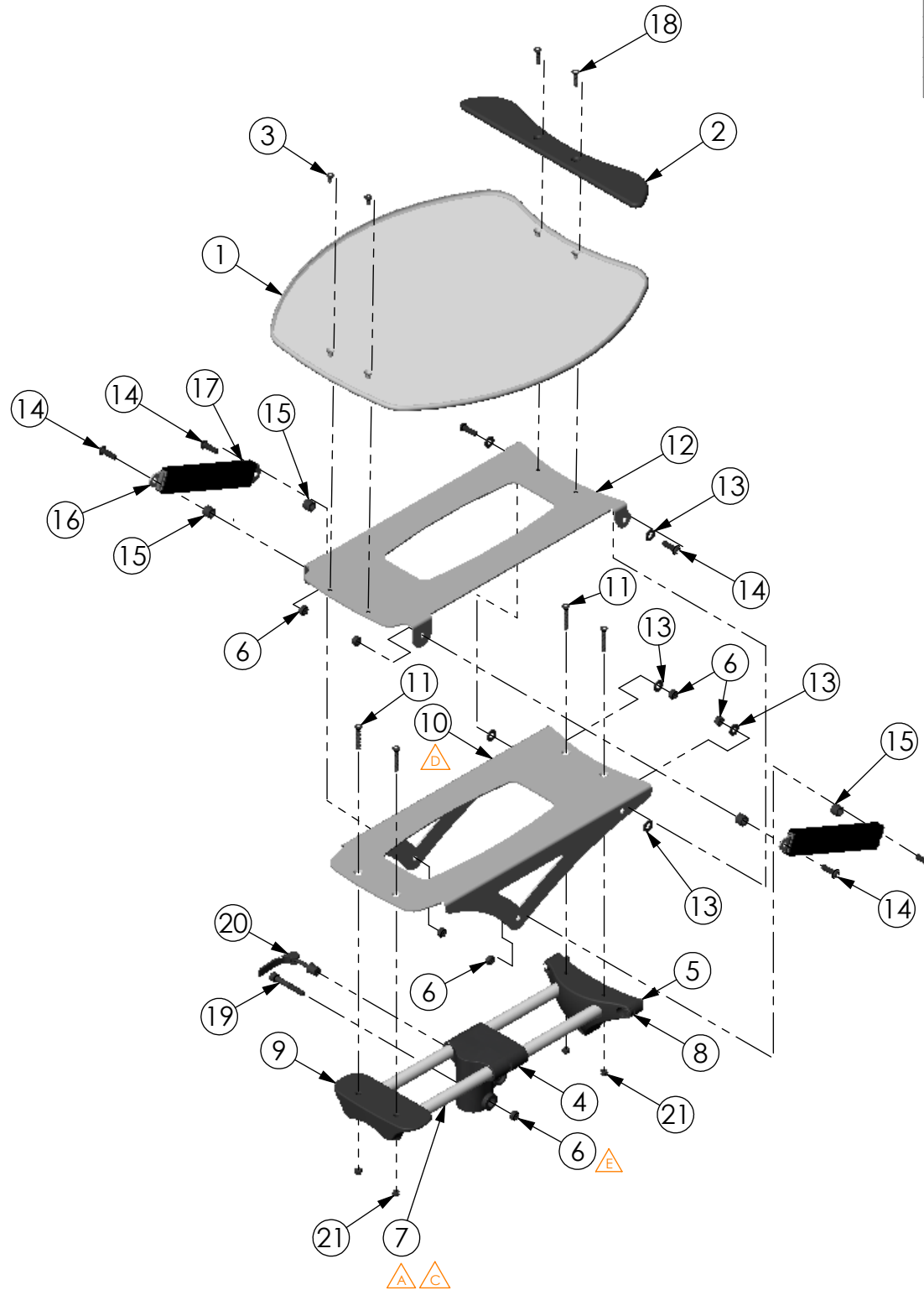


THE INFORMATION CONTAINED IN THIS DRAWING IS THE SOLE PROPERTY OF ALTIMATE MEDICAL. ANY REPRODUCTION IN PART OR WHOLE WITHOUT THE WRITTEN PERMISSION OF ALTIMATE MEDICAL IS PROHIBITED.

REVISIONS				
REV:	DESCRIPTION:	ECO #:	DATE:	APPROVED:
000	NEW RELEASE	DCR-00271	10/15/07	JVS
A	REPLACED INDIVIDUAL TABLE COLUMN PARTS W/ ASMBLY NG50309	DCR-00310	12/19/07	MWL
B	REVISED NG10054. RESTRUCTURED BOM.	DCR-00462	11/3/08	MWL
C	REVISED NG10054 TO REV D	DCR-00591	9/08/09	JVS
D	REVISED NG10202 TO REV B	DCR-00644	1/18/10	JVS
E	REVISED #NG20004 TO REV B	DCR-00698	8/23/10	JVS



ITEM NO.	PART NO.	REV	QTY.	NAME
1	NG20092	000	1	TABLE MOBILE
2	NG20109	000	1	TABLE MOBILE TILT LIP
3	600089	000	2	BOLT FLTHD M6 X 1.0-12
4	NG20004	B	1	CLAMP NYLON TABLE TOP
5	600139	000	3	BOLT SHCS M8 X 1.25-30
6	600009	000	7	NUT M8 X 1.25 NYLON LOCK
7	NG10054	D	2	TUBE TABLE ADJUSTMENT
8	NG20005	000	1	CLAMP NYLON TABLE REAR
9	NG20006	000	1	CLAMP NYLON TABLE FRONT
10	NG10202	B	1	TABLE TILT CLAMP BRACKET
11	600180	000	4	BOLT FLTHD M6 X 1.0 - 40
12	NG10203	A	1	TABLE TILT TABLE BRACKET
13	600159	000	6	WASHER NYLON M8
14	600133	000	6	BOLT M8 X 1.25 - 25 BTN SHCS
15	80420	A	4	SPACER BACK ADJUSTMENT TUBE YOUTH
16	600112	000	2	RATCHET SLIDE
17	97481	000	2	FOAM GRIP
18	600123	000	2	BOLT FLTHD M6 X 1.0-25
19	600084	00	1	BOLT SHCS M8 X 1.25 - 55
20	600017	000	1	CLAMP TOGGLE LOCK M6 X 1
21	600008	000	4	NUT M6 X 1.0 NYLON LOCK

IF BOX CONTAINS AN "X", SEE NOTES THAT APPLY TO EACH SUBJECT. <input type="checkbox"/> SEE SHIPPING INSTRUCTIONS <input type="checkbox"/> RECEIVING INSPECTION <input type="checkbox"/> SEE ENVIRONMENTAL INSTRUCTIONS	APPROVED:	DATE:	UNLESS OTHERWISE SPECIFIED DIMENSIONS ARE IN INCHES. TOLERANCES AND SPECS. ARE: DECIMALS: .X ± .1 .XX ± .03 .XXX ± .015 ANGLES: .X ± .5° HOLE SIZE TOLERANCE: (+.005/- .000) BREAK EDGES .005 - .015 CMFR DRILLED HOLES .03 X 45°	ALTIMATE MEDICAL, INC. PO BOX 180 - 262 WEST FIRST STREET - MORTON, MN 56270 PHONE (507) 697-6393 FAX (507) 697-6900 DESCRIPTION: ANGLE ADJUSTABLE TRAY MOBILE SIZE DWG. NO. NG50327 REV. E SCALE = 1:9 CAD FILE NAME: NG50327 SHEET 1 OF 1	
	DRAWN: MWL	DATE: 9/18/07			MATERIAL:
	OPTION NUMBER: -	FINISH: -			CODE: ASMBLY