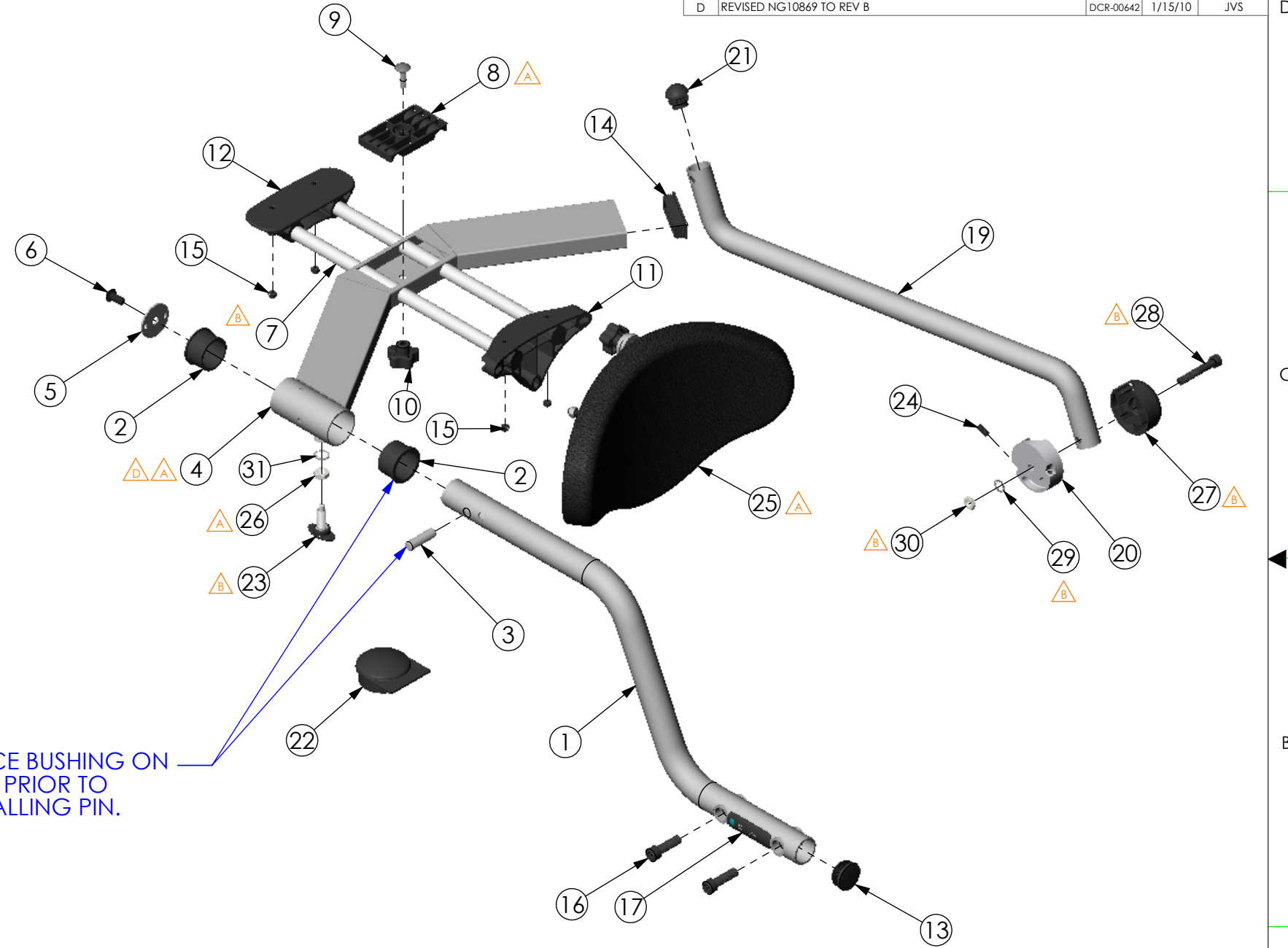
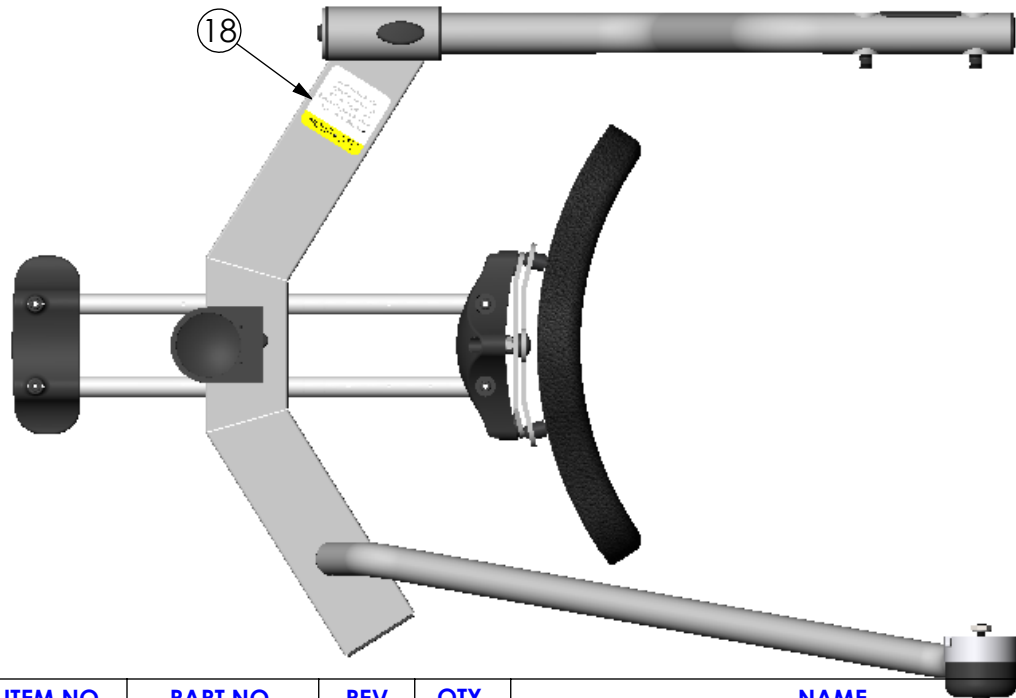


THE INFORMATION CONTAINED IN THIS DRAWING IS THE SOLE PROPERTY OF ALTIMATE MEDICAL. ANY REPRODUCTION IN PART OR WHOLE WITHOUT THE WRITTEN PERMISSION OF ALTIMATE MEDICAL IS PROHIBITED.

| REVISIONS | | | | |
|-----------|--|-----------|---------|-----------|
| REV: | DESCRIPTION: | ECO #: | DATE: | APPROVED: |
| 000 | NEW RELEASE | DCR-00292 | 1/2/08 | JVS |
| A | REVISED NG20104 AND NG10869. ADDED NG50331 AND 600059. | DCR-00446 | 7/28/08 | MWL |
| A | REMOVED 600139. | DCR-00446 | 7/28/08 | MWL |
| B | REVISED NG10054. ADDED 600323, 600058, NG20002 AND | DCR-00462 | 11/3/08 | MWL |
| B | 600026. REPLACED 600280 WITH 600422. | DCR-00462 | 11/3/08 | MWL |
| C | REVISED NG10054 REV D | DCR-00591 | 9/08/09 | JVS |
| D | REVISED NG10869 TO REV B | DCR-00642 | 1/15/10 | JVS |



| ITEM NO. | PART NO. | REV | QTY. | NAME |
|----------|----------|-----|------|---------------------------------|
| 1 | NG11020 | 000 | 1 | WELDMENT TABLE SUPPORT SHORT XT |
| 2 | NG20041 | B | 2 | BUSHING STS TABLE |
| 3 | NG10882 | 000 | 1 | PIN SHADOW SUPPORT TRAY |
| 4 | NG10869 | B | 1 | BRACKET MOUNT TABLE LH |
| 5 | NG10879 | 000 | 1 | CAP END SHADOW SUPPORT TRAY |
| 6 | 600116 | - | 1 | BOLT M10 X 1.5 - 20 BTN SHCS |
| 7 | NG10054 | D | 2 | TUBE TABLE ADJUSTMENT |
| 8 | NG20104 | A | 1 | CLAMP SHADOW SUPPORT TRAY |
| 9 | 600091 | 000 | 1 | BOLT M8 X 1.25 - 30 CARRIAGE |
| 10 | 600132 | 000 | 1 | KNOB FEMALE 5 POINT M8 X 1.25 |
| 11 | NG20005 | 000 | 1 | CLAMP NYLON TABLE REAR |
| 12 | NG20006 | 000 | 1 | CLAMP NYLON TABLE FRONT |
| 13 | 600088 | 000 | 1 | CAP 1.50D 14-20GA |
| 14 | 600086 | 000 | 1 | CAP RECT 1" X 3" X 14-20GA |
| 15 | 600008 | 000 | 4 | NUT M6 X 1.0 NYLON LOCK |
| 16 | 600073 | 00 | 2 | SHCS M12X1.75-40 |
| 17 | NG40024 | 000 | 1 | LABEL .75 x 2.875 EVOLV SHADOW |
| 18 | NG40019 | A | 1 | LABEL 2.50 X 2.50 CAUTION STS |
| 19 | NG11021 | 000 | 1 | TUBE SUPPORT ARM SHORT XT |
| 20 | NG10730 | 000 | 1 | DISC PIVOT INSIDE ALUM. |
| 21 | 600082 | 000 | 1 | BALL CAP 1.25D 14-23 GA |
| 22 | NG20015 | 000 | 1 | FRAME CAP |
| 23 | 600422 | 000 | 1 | PLUNGER INDEXED 8mm |
| 24 | 600283 | 000 | 1 | SCREW SET M8 X 1.25 - 16 |
| 25 | NG50331 | A | 1 | ASSEMBLY ADJUSTABLE PAD BRACKET |
| 26 | 600059 | 000 | 1 | NUT JAM M12 X 1.75 |
| 27 | NG20002 | 000 | 1 | DISC PIVOT OUTSIDE |
| 28 | 600026 | 000 | 1 | SHCS M10 X 1.5-60 |
| 29 | 600323 | 000 | 1 | WASHER LOCK 10mm INTERNAL TOOTH |
| 30 | 600058 | 000 | 1 | NUT JAM M10 X 1.5 |
| 31 | 80946 | - | 1 | WASHER |

PLACE BUSHING ON TUBE PRIOR TO INSTALLING PIN.

| | | | | | |
|---|------------------|----------------|---|--|--------------|
| IF BOX CONTAINS AN "X", SEE NOTES THAT APPLY TO EACH SUBJECT. <input type="checkbox"/> SEE SHIPPING INSTRUCTIONS <input type="checkbox"/> RECEIVING INSPECTION <input type="checkbox"/> SEE ENVIRONMENTAL INSTRUCTIONS | APPROVED: | DATE: | UNLESS OTHERWISE SPECIFIED DIMENSIONS ARE IN INCHES. TOLERANCES AND SPECS. ARE: DECIMALS .X ± .1 .XX ± .03 .XXX ± .015 HOLE SIZE TOLERANCE: (+.005/- .000) BREAK EDGES .005 - .015 CMFR DRILLED HOLES .03 X 45° | ALTIMATE MEDICAL, INC. PO BOX 180 - 262 WEST FIRST STREET - MORTON, MN 56270 PHONE (507) 697-6393 FAX (507) 697-6900 DESCRIPTION: TABLE SHADOW DEEP 10" LH SIZE DWG. NO. NG50335 REV. D SCALE = 1:7 CAD FILE NAME: NG50335 SHEET 1 OF 1 | |
| | DRAWN: JVS | DATE: 10/25/07 | | | MATERIAL: |
| | OPTION NUMBER: - | FINISH: - | | | CODE: ASMBLY |
| | | | | | |