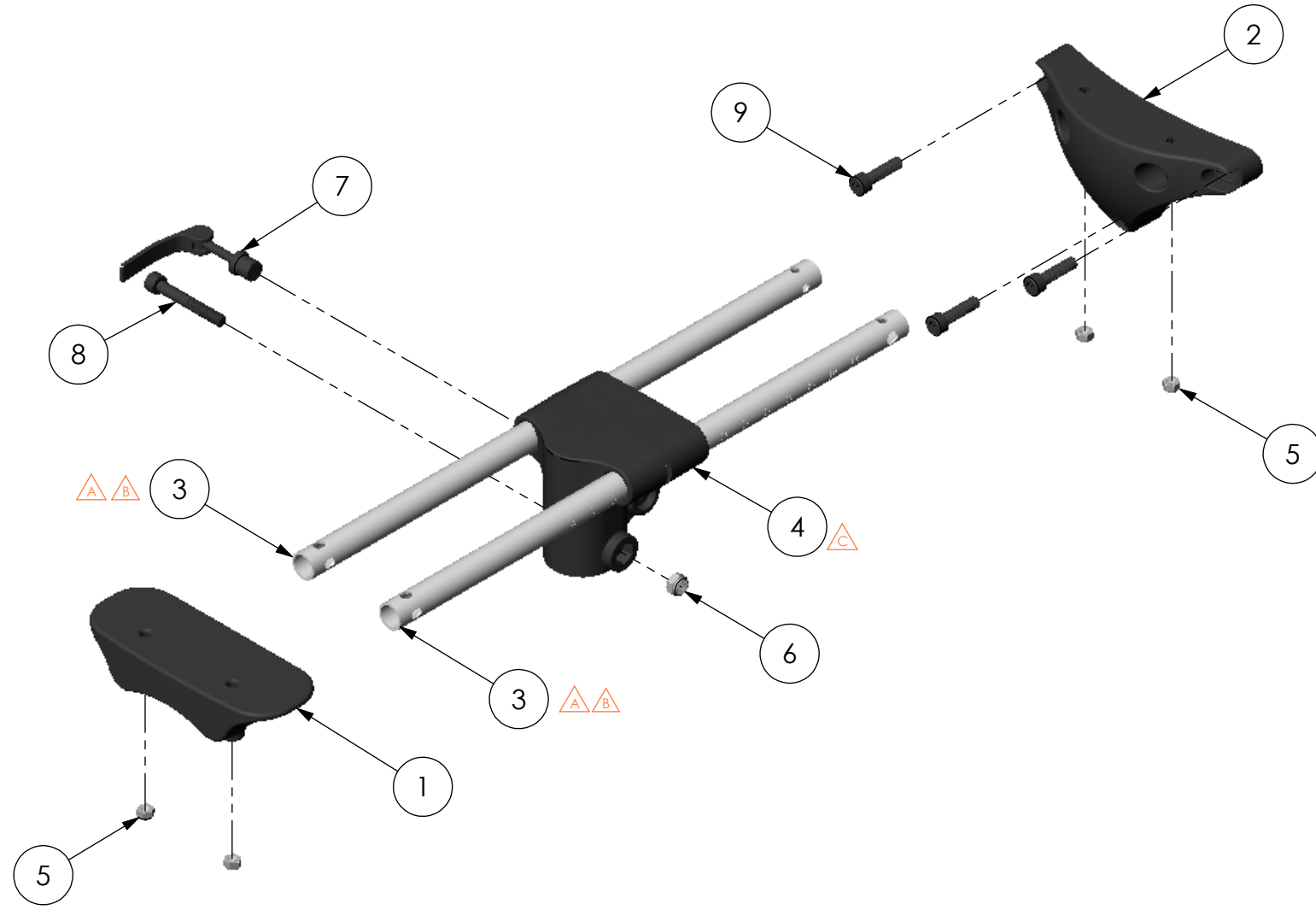


THE INFORMATION CONTAINED IN THIS DRAWING IS THE SOLE PROPERTY OF
 ALTIMATE MEDICAL. ANY REPRODUCTION IN PART OR WHOLE WITHOUT
 THE WRITTEN PERMISSION OF ALTIMATE MEDICAL IS PROHIBITED.

REVISIONS				
REV:	DESCRIPTION:	ECO #:	DATE:	APPROVED:
000	NEW RELEASE.	DCR-00310	1/2/08	MWL
A	REVISED NG10054.	DCR-00462	11/3/08	MWL
B	REVISED NG10054 REV B	DCR-00591	9/08/09	JVS
C	REVISED #NG20004 TO REV B	DCR-00698	8/23/10	JVS



ITEM NO.	PART NO.	REV	QTY.	NAME
1	NG20006	000	1	CLAMP NYLON TABLE FRONT
2	NG20005	000	1	CLAMP NYLON TABLE REAR
3	NG10054	D	2	TUBE TABLE ADJUSTMENT
4	NG20004	B	1	CLAMP NYLON TABLE TOP
5	600008	000	4	NUT LOCK M6 X 1.0
6	600009	000	1	NUT LOCK M8 X 1.25
7	600017	000	1	CLAMP TOGGLE LOCK M6 X 1
8	600084	000	1	BOLT SHCS M8 X 1.25 - 55
9	600139	000	3	BOLT M8 X 30 SHCS

IF BOX CONTAINS AN "X", SEE NOTES THAT APPLY TO EACH SUBJECT. <input type="checkbox"/> SEE SHIPPING INSTRUCTIONS <input type="checkbox"/> RECEIVING INSPECTION <input type="checkbox"/> SEE ENVIRONMENTAL INSTRUCTIONS	APPROVED:	DATE:	UNLESS OTHERWISE SPECIFIED DIMENSIONS ARE IN INCHES. TOLERANCES AND SPECS. ARE: DECIMALS ANGLES .X ± .1 .X ± .5° .XX ± .03 .XXX ± .015 HOLE SIZE TOLERANCE: (+.005/-.000) BREAK EDGES .005 - .015 CMFR DRILLED HOLES .03 X 45°	ALTIMATE MEDICAL, INC. PO BOX 180 - 262 WEST FIRST STREET - MORTON, MN 56270 PHONE (507) 697-6393 FAX (507) 697-6900 DESCRIPTION: TABLE SLIDE ASSEMBLY SIZE DWG. NO. NG50341 REV. C SCALE = 1:4 CAD FILE NAME: NG50341 SHEET 1 OF 1	
	DRAWN:	DATE:			MATERIAL:
	JVS	3/12/2008			-