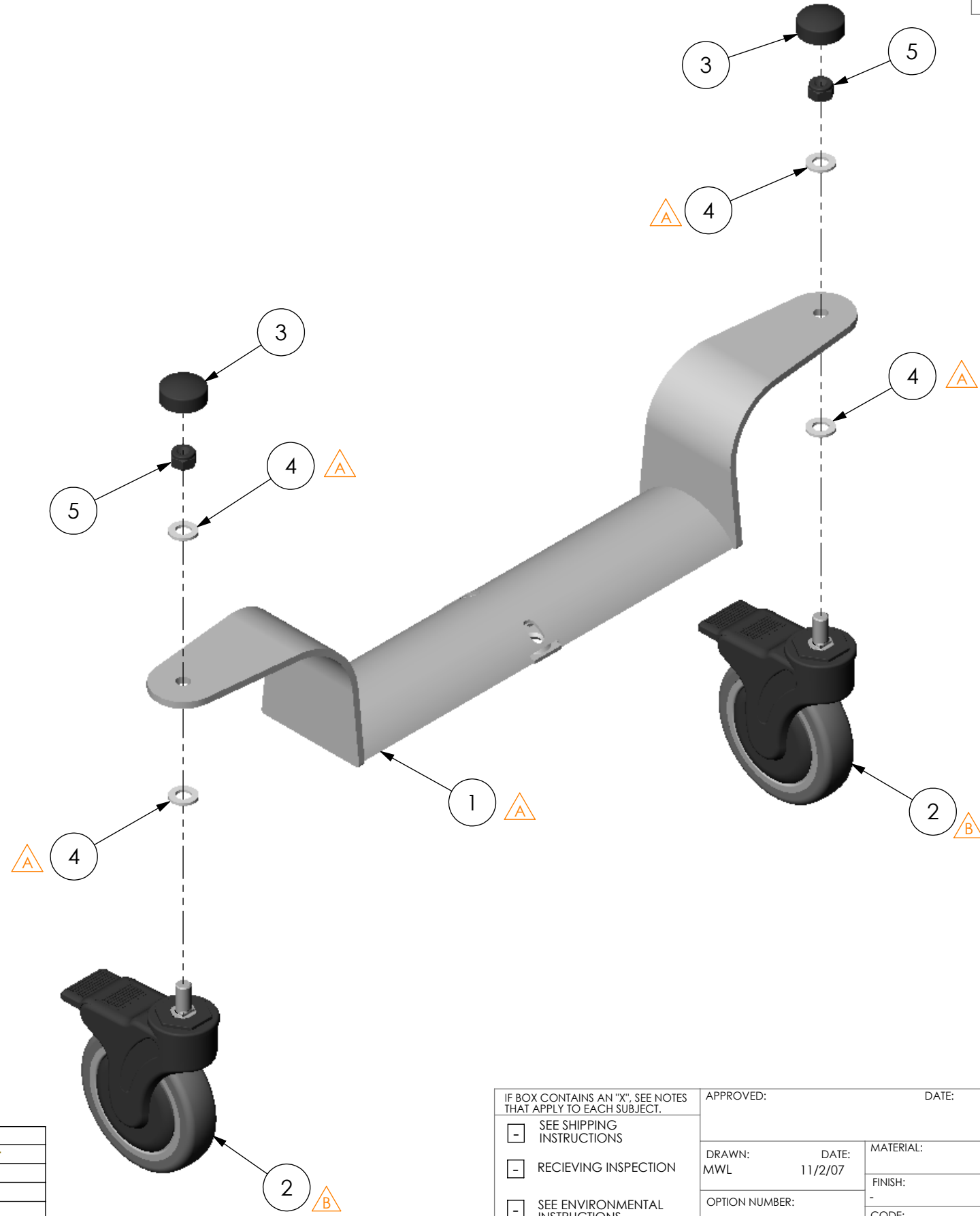


THE INFORMATION CONTAINED IN THIS DRAWING IS THE SOLE PROPERTY OF
 ALTIMATE MEDICAL. ANY REPRODUCTION IN PART OR WHOLE WITHOUT
 THE WRITTEN PERMISSION OF ALTIMATE MEDICAL IS PROHIBITED.

REVISIONS				
REV:	DESCRIPTION:	ECO #:	DATE:	APPROVED:
000	NEW RELEASE.	DCR-00269	11/13/07	MWL
A	REPLACED 600059 WITH 600011. ADDED 600325. REVISED NG11029.	DCR-00303	11/30/07	MWL
B	REVISED #600005 TO REV B	DCR-00699	8/25/10	JVS



ITEM NO.	PART NO.	REV	QTY.	NAME
1	NG11029	A	1	BRACKET FRONT CASTER XT
2	600005	B	2	CASTER 125mm BLACK
3	NG20027	000	2	COVER BUSHING
4	600325	000	4	WASHER FLAT M12
5	600011	000	2	NUT M12 X 1.75 NYLON LOCK

IF BOX CONTAINS AN "X", SEE NOTES THAT APPLY TO EACH SUBJECT.

- SEE SHIPPING INSTRUCTIONS
- RECEIVING INSPECTION
- SEE ENVIRONMENTAL INSTRUCTIONS

APPROVED: _____ DATE: _____

DRAWN: MWL DATE: 11/2/07 MATERIAL: _____
 FINISH: -
 CODE: ASMBLY
 OPTION NUMBER: -

UNLESS OTHERWISE SPECIFIED DIMENSIONS ARE IN INCHES. TOLERANCES AND SPECS. ARE:

DECIMALS .X ± .1 ANGLES .X ± .5°
 .XX ± .03
 .XXX ± .015
 HOLE SIZE TOLERANCE: (+.005/-.000)
 BREAK EDGES .005 - .015
 CMFR DRILLED HOLES .03 X 45°

ALTIMATE MEDICAL, INC.
 PO BOX 180 - 262 WEST FIRST STREET - MORTON, MN 56270
 PHONE (507) 697-6393 FAX (507) 697-6900

DESCRIPTION:
ASMBLY CASTER FRONT EVOLV XT

SIZE DWG. NO. **NG50346** REV. **B**
 SCALE = 1:4 CAD FILE NAME: NG50346 SHEET 1 OF 1