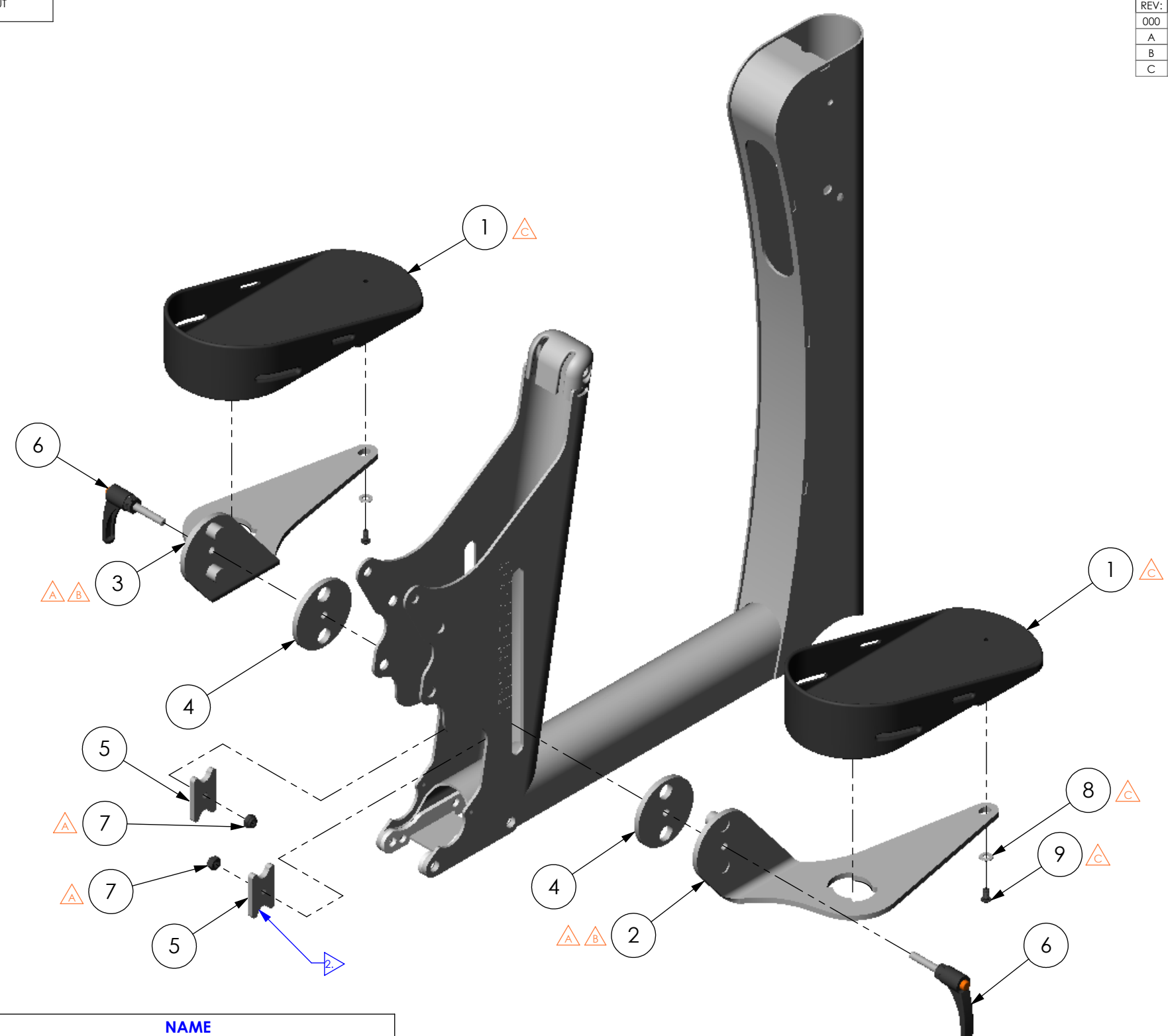


THE INFORMATION CONTAINED IN THIS DRAWING IS THE SOLE PROPERTY OF
 ALTIMATE MEDICAL. ANY REPRODUCTION IN PART OR WHOLE WITHOUT
 THE WRITTEN PERMISSION OF ALTIMATE MEDICAL IS PROHIBITED.

REVISIONS				
REV:	DESCRIPTION:	ECO #:	DATE:	APPROVED:
000	NEW RELEASE.	DCR-00362	6/3/08	MWL
A	REVISED NG11123 AND NG11124. ADDED JAM NUT 60009.	DCR-00456	9/15/08	MWL
B	REVISED NG11123 AND NG11124 TO BRING FEET 3/4" FORWARD.	DCR-00562	6/25/09	MWL
C	REVISED NG20010. ADDED ITEMS 80103 AND 600220.	DCR-00646	1/26/10	MWL



ITEM NO.	PART NO.	REV	QTY.	NAME
1	NG20010	B	2	FOOT HOLDER LARGE
2	NG11123	B	1	BRACKET FOOT STANDARD EVOLV RH Y
3	NG11124	B	1	BRACKET FOOT STANDARD EVOLV LH Y
4	NG11125	000	2	PLATE SPACER FOOT REST EVOLV
5	NG11126	000	2	BACKING PLATE FOOT EVOLV
6	600156	000	2	CLAMP LEVER 8mm X 40mm
7	600009	000	2	NUT M8 X 1.25 NYLON LOCK
8	80103	-	2	FLAT WASHER
9	600340	000	2	BOLT BTN SHCS M6 X 1.0 - 12

NOTE:
 1. ASSEMBLE FOOT RESTS BEFORE INSTALLING HYDRAULIC OR ELECTRIC ACTUATOR.
 2. BE SURE THAT PINS ARE INSIDE NOTCHES WHEN ASSEMBLED.

IF BOX CONTAINS AN "X", SEE NOTES THAT APPLY TO EACH SUBJECT. <input type="checkbox"/> SEE SHIPPING INSTRUCTIONS <input type="checkbox"/> RECEIVING INSPECTION <input type="checkbox"/> SEE ENVIRONMENTAL INSTRUCTIONS	APPROVED:	DATE:	UNLESS OTHERWISE SPECIFIED DIMENSIONS ARE IN INCHES. TOLERANCES AND SPECS. ARE: DECIMALS ANGLES .X ± .1 .X ± .5° .XX ± .03 .XXX ± .015 HOLE SIZE TOLERANCE: (+.005/-.000) BREAK EDGES .005 - .015 CMFR DRILLED HOLES .03 X 45°	ALTIMATE MEDICAL, INC. PO BOX 180 - 262 WEST FIRST STREET - MORTON, MN 56270 PHONE (507) 697-6393 FAX (507) 697-6900 DESCRIPTION: ASMBLY FOOT STANDARD EVOLV YOUTH SIZE DWG. NO. NG50355 REV. C SCALE = 1:5 CAD FILE NAME: NG50355 SHEET 1 OF 1
	DRAWN: MWL DATE: 5/16/08 MATERIAL: FINISH: EXPIRATION DATE: CODE: ASMBLY			