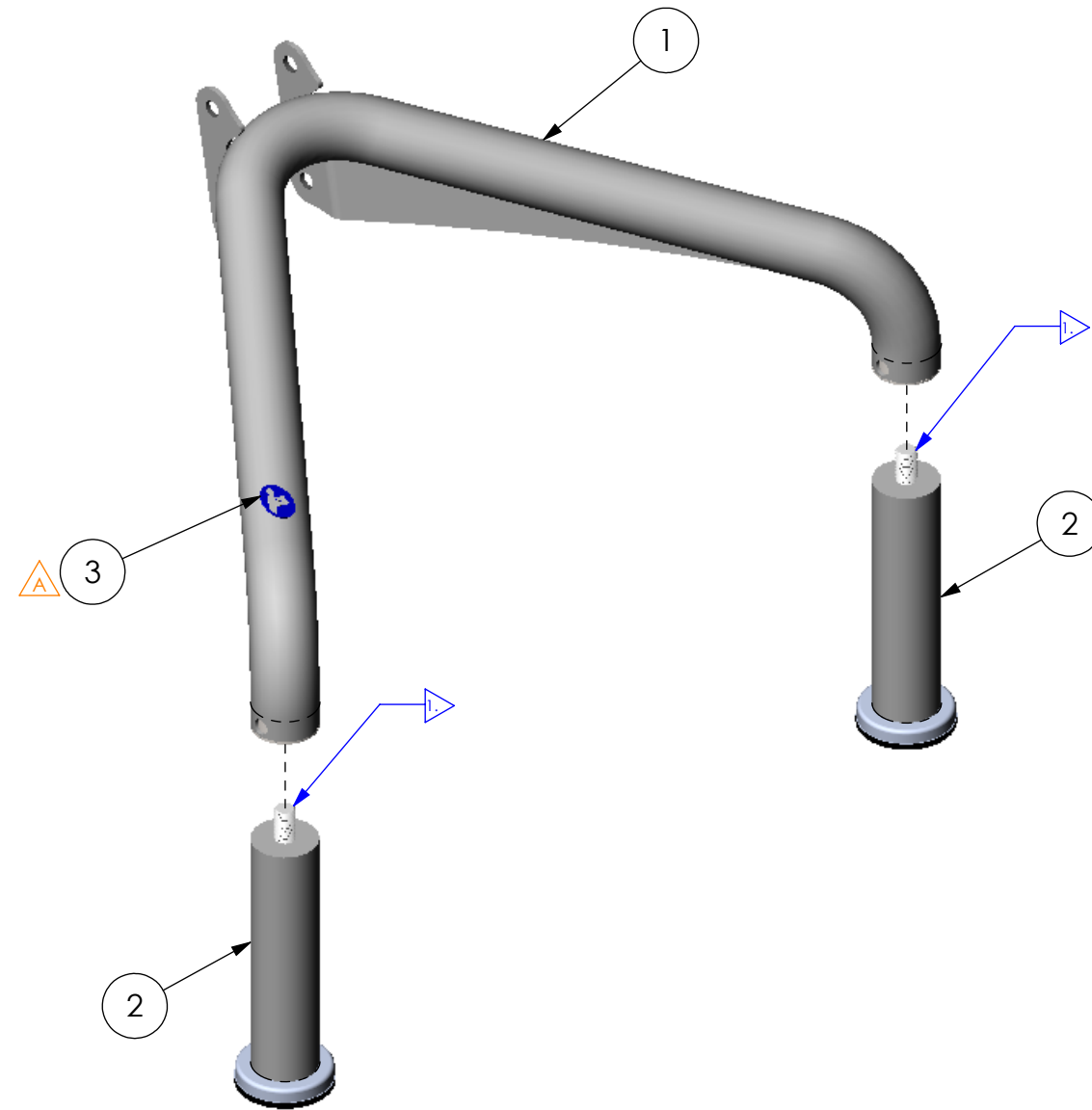


THE INFORMATION CONTAINED IN THIS DRAWING IS THE SOLE PROPERTY OF
 ALTIMATE MEDICAL. ANY REPRODUCTION IN PART OR WHOLE WITHOUT
 THE WRITTEN PERMISSION OF ALTIMATE MEDICAL IS PROHIBITED.

REVISIONS				
REV:	DESCRIPTION:	ECO #:	DATE:	APPROVED:
000	NEW RELEASE.	DCR-00362	6/3/08	MWL
A	ADDED NG40058/DECAL	DCR-00919	5/7/12	JVS



NOTE:
 1. LOCTITE STUD IN ASSEMBLY NG50413 INTO CASTER BRACKET.

ITEM NO.	PART NO.	REV	QTY.	NAME
1	NG10019	000	1	BRACKET CASTER MOUNT LG
2	NG50413	000	2	LEVEL GLIDE EVOLV
3	NG40058	000	1	DECAL "SEE INSTRUCTIONS FOR USE"

IF BOX CONTAINS AN "X", SEE NOTES THAT APPLY TO EACH SUBJECT. <input type="checkbox"/> SEE SHIPPING INSTRUCTIONS <input type="checkbox"/> RECEIVING INSPECTION <input type="checkbox"/> SEE ENVIRONMENTAL INSTRUCTIONS	APPROVED:	DATE:	UNLESS OTHERWISE SPECIFIED DIMENSIONS ARE IN INCHES. TOLERANCES AND SPECS. ARE: DECIMALS ANGLES .X ± .1 .X ± .5° .XX ± .03 .XXX ± .015 HOLE SIZE TOLERANCE: (+.005/-.000) BREAK EDGES .005 - .015 CMFR DRILLED HOLES .03 X 45°	
	DRAWN: MWL	DATE: 5/19/08		MATERIAL:
	EXPIRATION DATE: -	FINISH: -		CODE: ASMBLY

ALTIMATE MEDICAL, INC.
 PO BOX 180 - 262 WEST FIRST STREET - MORTON, MN 56270
 PHONE (507) 697-6393 FAX (507) 697-6900
 DESCRIPTION: ASSEMBLY LEVEL GLIDE EVOLV
 SIZE DWG. NO. **NG50356** REV. **A**
 SCALE = 1:4 CAD FILE NAME: NG50356 SHEET 1 OF 1