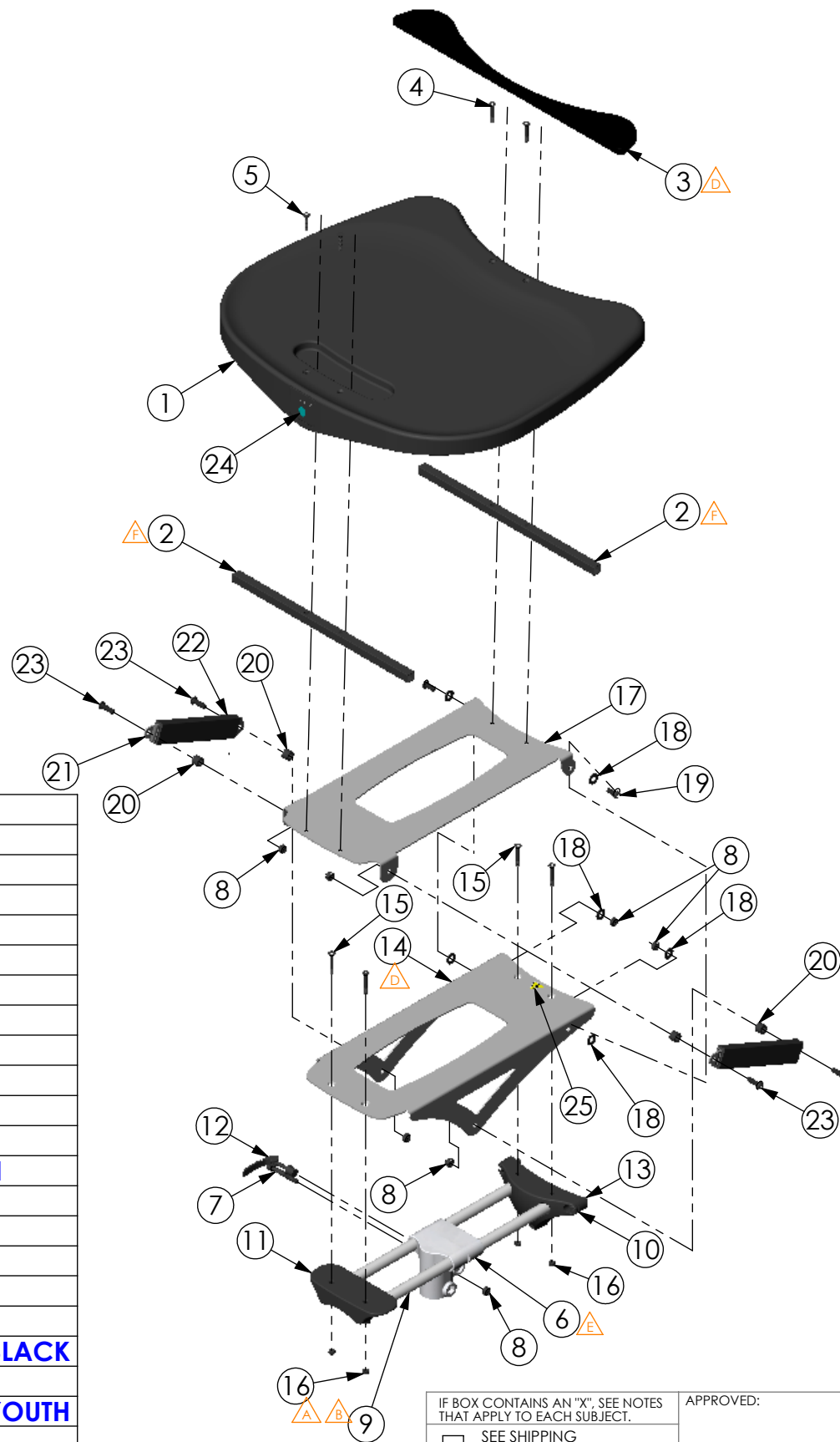


THE INFORMATION CONTAINED IN THIS DRAWING IS THE SOLE PROPERTY OF  
 ALTIMATE MEDICAL. ANY REPRODUCTION IN PART OR WHOLE WITHOUT  
 THE WRITTEN PERMISSION OF ALTIMATE MEDICAL IS PROHIBITED.

REVISIONS				
REV:	DESCRIPTION:	ECO #:	DATE:	APPROVED:
000	NEW RELEASE	DCR-00310	12/19/07	MWL
A	REVISED NG20103 TO REVISION A.	DCR-00455	9/10/08	MWL
B	REVISED NG10054. RESTRUCTURED BOM.	DCR-00462	11/3/08	MWL
C	REVISED NG10054 TO REV D	DCR-00591	9/08/09	JVS
D	REPLACED NG20047 WITH NG30272, REVISED NG10202 TO REV B	DCR-00644	1/18/10	JVS
E	REVISED #NG20004 TO REV B	DCR-00698	8/24/10	JVS
F	REVISED NG10809 TO REVISION A.	DCR-00827	9/7/11	TJF



ITEM NO.	PART NO.	REV	QTY.	NAME
1	NG20103	A	1	TABLE MOLDED EVOLV
2	NG10809	A	2	TUBE TABLE REINFORCEMENT
3	NG30272	000	1	TABLE LIP
4	600457	000	2	BOLT M6 X 1.0 -35 FLT SHCS
5	600104	000	2	BOLT M6 X 1.0 - 30 FSHCS
6	NG20004	B	1	CLAMP NYLON TABLE TOP
7	600084	00	1	BOLT SHCS M8 X 1.25 - 55
8	600009	000	7	NUT M8 X 1.25 NYLON LOCK
9	NG10054	D	2	TUBE TABLE ADJUSTMENT
10	NG20005	000	1	CLAMP NYLON TABLE REAR
11	NG20006	000	1	CLAMP NYLON TABLE FRONT
12	600017	000	1	CLAMP TOGGLE LOCK M6 X 1
13	600139	000	3	BOLT SHCS M8 X 1.25-30
14	NG10202	B	1	TABLE TILT CLAMP BRACKET
15	600180	000+	4	BOLT FLTHD M6 X 1.0 - 40
16	600008	000	4	NUT M6 X 1.0 NYLON LOCK
17	NG10203	A	1	TABLE TILT TABLE BRACKET
18	91606	00	6	WASHER 3/8"ID X 3/4"OD NYLON BLACK
19	600053	000	2	BOLT M8 X 20 BTN SHCS
20	80420	A	4	SPACER BACK ADJUSTMENT TUBE YOUTH
21	600112	000	2	RATCHET SLIDE
22	97481	000	2	FOAM GRIP
23	600133	000	4	BOLT M8 X 1.25 - 25 BTN SHCS
24	99102	B	1	BLACK MOLDED TABLE LABEL
25	Y4001	000	1	LABEL HAND CRUSH

IF BOX CONTAINS AN "X", SEE NOTES THAT APPLY TO EACH SUBJECT.		APPROVED: _____ DATE: _____		UNLESS OTHERWISE SPECIFIED DIMENSIONS ARE IN INCHES. TOLERANCES AND SPECS. ARE: DECIMALS      ANGLES .X ± .1          .X ± .5° .XX ± .03 .XXX ± .015 HOLE SIZE TOLERANCE: (+.005/-.000) BREAK EDGES .005 - .015 CMFR DRILLED HOLES .03 X 45°	<b>ALTIMATE MEDICAL, INC.</b> PO BOX 180 - 262 WEST FIRST STREET - MORTON, MN 56270 PHONE (507) 697-6393 FAX (507) 697-6900 DESCRIPTION: <b>ASMBLY TABLE STANDARD TILT</b> SIZE DWG. NO. <b>NG50368</b> REV. <b>G</b> SCALE = 1:10 CAD FILE NAME: NG50368 SHEET 1 OF 1
<input type="checkbox"/> SEE SHIPPING INSTRUCTIONS	<input type="checkbox"/> RECEIVING INSPECTION	DRAWN: MWL	DATE: 12/11/07		
<input type="checkbox"/> SEE ENVIRONMENTAL INSTRUCTIONS		MATERIAL:	FINISH: -		
		CODE: ASMBLY	OPTION NUMBER: -		