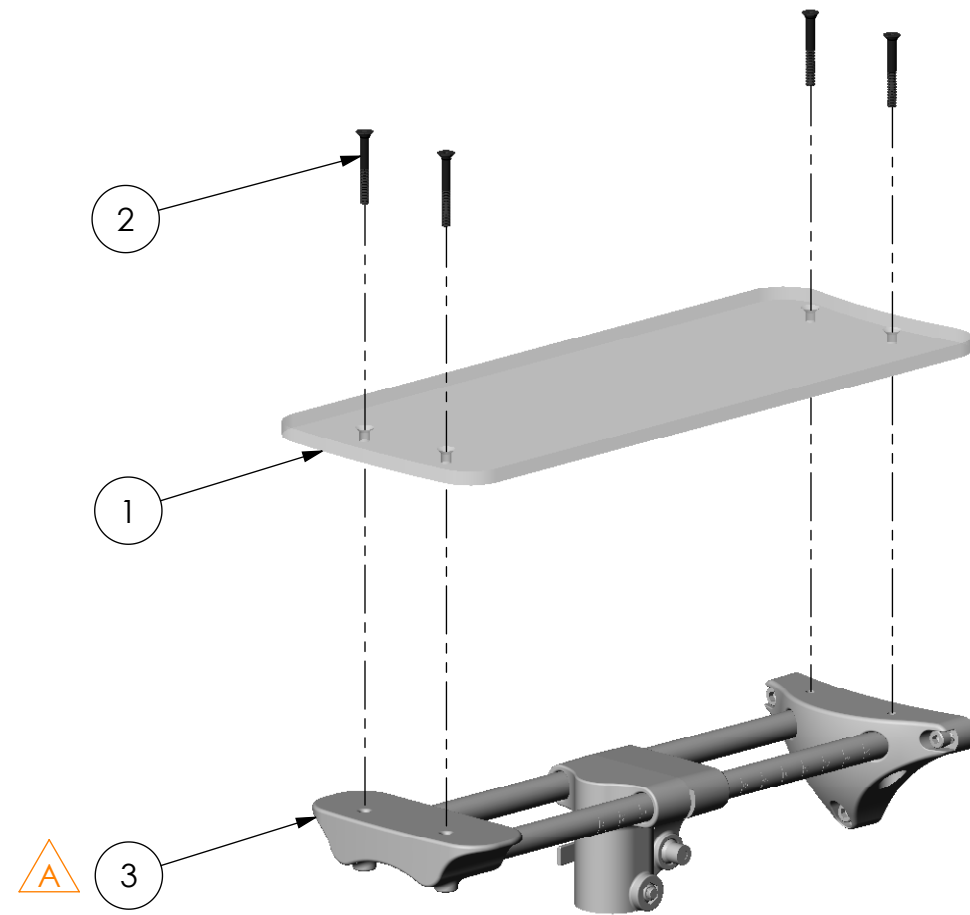


THE INFORMATION CONTAINED IN THIS DRAWING IS THE SOLE PROPERTY OF
 ALTIMATE MEDICAL. ANY REPRODUCTION IN PART OR WHOLE WITHOUT
 THE WRITTEN PERMISSION OF ALTIMATE MEDICAL IS PROHIBITED.

REVISIONS				
REV:	DESCRIPTION:	ECO #:	DATE:	APPROVED:
000	NEW RELEASE.	DCR-00310	12/19/07	MWL
A	REVISED NG50341 DUE TO REVISION OF NG10054.	DCR-00462	11/3/08	MWL



ITEM NO.	PART NO.	REV	QTY.	NAME
1	NG20019	000	1	TABLE GLIDER
2	600033	000	4	BOLT FLTHD M6 X 1.0-50
3	NG50341	A	1	TABLE SLIDE ASSEMBLY

IF BOX CONTAINS AN "X", SEE NOTES THAT APPLY TO EACH SUBJECT. <input type="checkbox"/> SEE SHIPPING INSTRUCTIONS <input type="checkbox"/> RECEIVING INSPECTION <input type="checkbox"/> SEE ENVIRONMENTAL INSTRUCTIONS	APPROVED:	DATE:	UNLESS OTHERWISE SPECIFIED DIMENSIONS ARE IN INCHES. TOLERANCES AND SPECS. ARE: DECIMALS ANGLES .X ± .1 .X ± .5° .XX ± .03 .XXX ± .015 HOLE SIZE TOLERANCE: (+.005/-.000) BREAK EDGES .005 - .015 CMFR DRILLED HOLES .03 X 45°	ALTIMATE MEDICAL, INC. PO BOX 180 - 262 WEST FIRST STREET - MORTON, MN 56270 PHONE (507) 697-6393 FAX (507) 697-6900 DESCRIPTION: TABLE EVOLV GLIDER SIZE DWG. NO. NG50370 REV. A SCALE = 1:5 CAD FILE NAME: NG50370 SHEET 1 OF 1	
	DRAWN: MWL	DATE: 12/7/07			MATERIAL:
	OPTION NUMBER: -	FINISH: -			CODE: ASMBLY