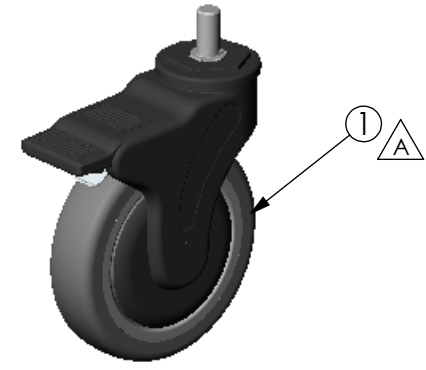
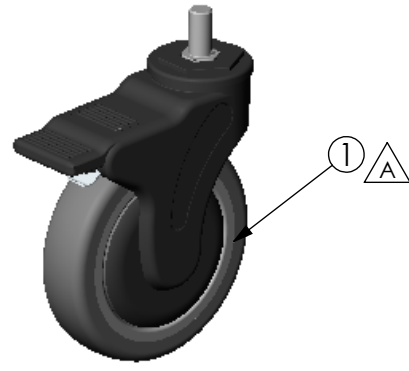


THE INFORMATION CONTAINED IN THIS DRAWING IS THE SOLE PROPERTY OF  
 ALTIMATE MEDICAL. ANY REPRODUCTION IN PART OR WHOLE WITHOUT  
 THE WRITTEN PERMISSION OF ALTIMATE MEDICAL IS PROHIBITED.

REVISIONS				
REV:	DESCRIPTION:	ECO #:	DATE:	APPROVED:
A	REVISED #600005 TO REV B	DCR-00699	8/25/10	JVS



ITEM NO.	PART NO.	REV	QTY.	NAME
1	600005	B	2	CASTER 125mm BLACK

IF BOX CONTAINS AN "X", SEE NOTES THAT APPLY TO EACH SUBJECT. <input type="checkbox"/> SEE SHIPPING INSTRUCTIONS <input type="checkbox"/> RECEIVING INSPECTION <input type="checkbox"/> SEE ENVIRONMENTAL INSTRUCTIONS	APPROVED:	DATE:	<b>UNLESS OTHERWISE SPECIFIED DIMENSIONS ARE IN INCHES. TOLERANCES AND SPECS. ARE:</b> DECIMALS      ANGLES .X ± .1          .X ± .5° .XX ± .03 .XXX ± .015 HOLE SIZE TOLERANCE: (+.005/-.000) BREAK EDGES .005 - .015 CMFR DRILLED HOLES .03 X 45°	<b>ALTIMATE MEDICAL, INC.</b> PO BOX 180 - 262 WEST FIRST STREET - MORTON, MN 56270 PHONE (507) 697-6393      FAX (507) 697-6900 DESCRIPTION: <b>REAR CASTERS EVOLV</b> SIZE DWG. NO. <b>NG50392</b> REV. <b>A</b> SCALE = 1:4      CAD FILE NAME: NG50392      SHEET 1 OF 1	
	DRAWN: JVS	DATE: 6/17/08			MATERIAL:
					CODE: ASMBLY