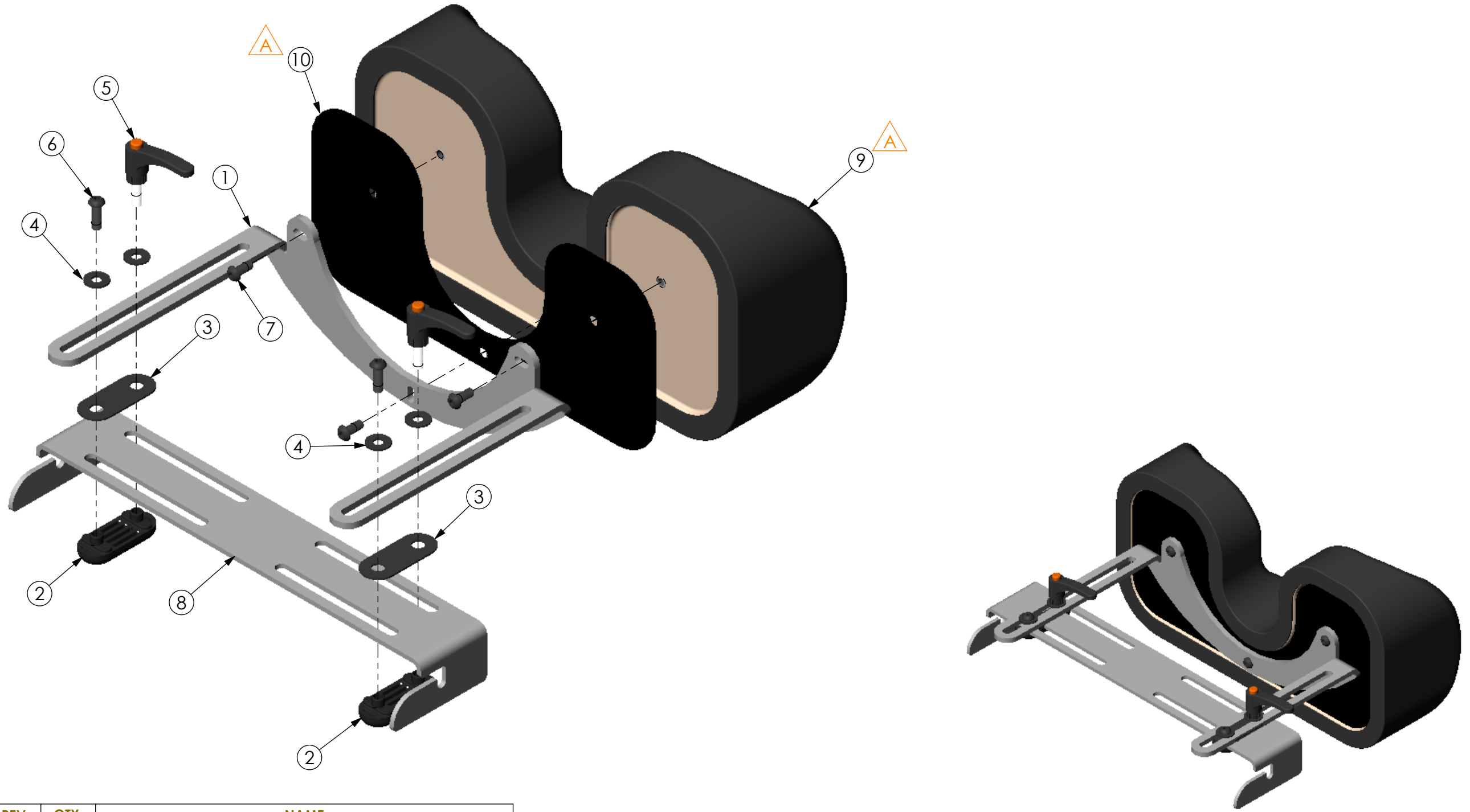


THE INFORMATION CONTAINED IN THIS DRAWING IS THE SOLE PROPERTY OF
 ALTIMATE MEDICAL. ANY REPRODUCTION IN PART OR WHOLE WITHOUT
 THE WRITTEN PERMISSION OF ALTIMATE MEDICAL IS PROHIBITED.

REVISIONS				
REV:	DESCRIPTION:	ECO #:	DATE:	APPROVED:
000	NEW RELEASE	DCR-00475	12/23/08	JVS
A	REPLACED NG30017 WITH NG30274 & NG30268	DCR-00543	6/4/09	JVS



ITEM NO.	PART NO.	REV	QTY.	NAME
1	NG11137	000	1	BRACKET STANDARD KNEE H-FRAME
2	NG20117	000	2	INDEPENDENT ADJUSTABLE KNEE CLAMP EVOLV
3	81174	-	2	INDEPENDANT ADJUSTMENT WASHER
4	91603	-	4	FLAT WASHER
5	600085	000	2	CLAMP LEVER 8mm X 25.4mm
6	600133	000	2	BOLT M8 X 25 BTN SHCS
7	600053	000	3	BOLT M8 X 20 BTN SHCS
8	NG11091	000	1	BRACKET H-FRAME KNEE EVOLV
9	NG30274	000	1	KNEE PAD ASSY EVOLV LARGE
10	NG30268	000	1	KNEE COVER BACK STANDARD LG

IF BOX CONTAINS AN "X", SEE NOTES THAT APPLY TO EACH SUBJECT. <input type="checkbox"/> SEE SHIPPING INSTRUCTIONS <input type="checkbox"/> RECIEVING INSPECTION <input type="checkbox"/> SEE ENVIRONMENTAL INSTRUCTIONS	APPROVED:	DATE:	UNLESS OTHERWISE SPECIFIED DIMENSIONS ARE IN INCHES. TOLERANCES AND SPECS. ARE: DECIMALS ANGLES .X ± .1 .X ± .5° .XX ± .03 .XXX ± .015 HOLE SIZE TOLERANCE: (+.005/-.000) BREAK EDGES .005 - .015 CMFR DRILLED HOLES .03 X 45°	ALTIMATE MEDICAL, INC. PO BOX 180 - 262 WEST FIRST STREET - MORTON, MN 56270 PHONE (507) 697-6393 FAX (507) 697-6900		
	DRAWN: JVS	DATE: 8/5/2008		MATERIAL:	DESCRIPTION: PAD KNEE STANDARD H-FRAME	
	EXPIRATION DATE: -	FINISH: -		CODE: ASMBLY	SIZE DWG. NO. NG50424	REV. A
	SCALE = 1:3.5 CAD FILE NAME: NG50424			SHEET 1 OF 1		