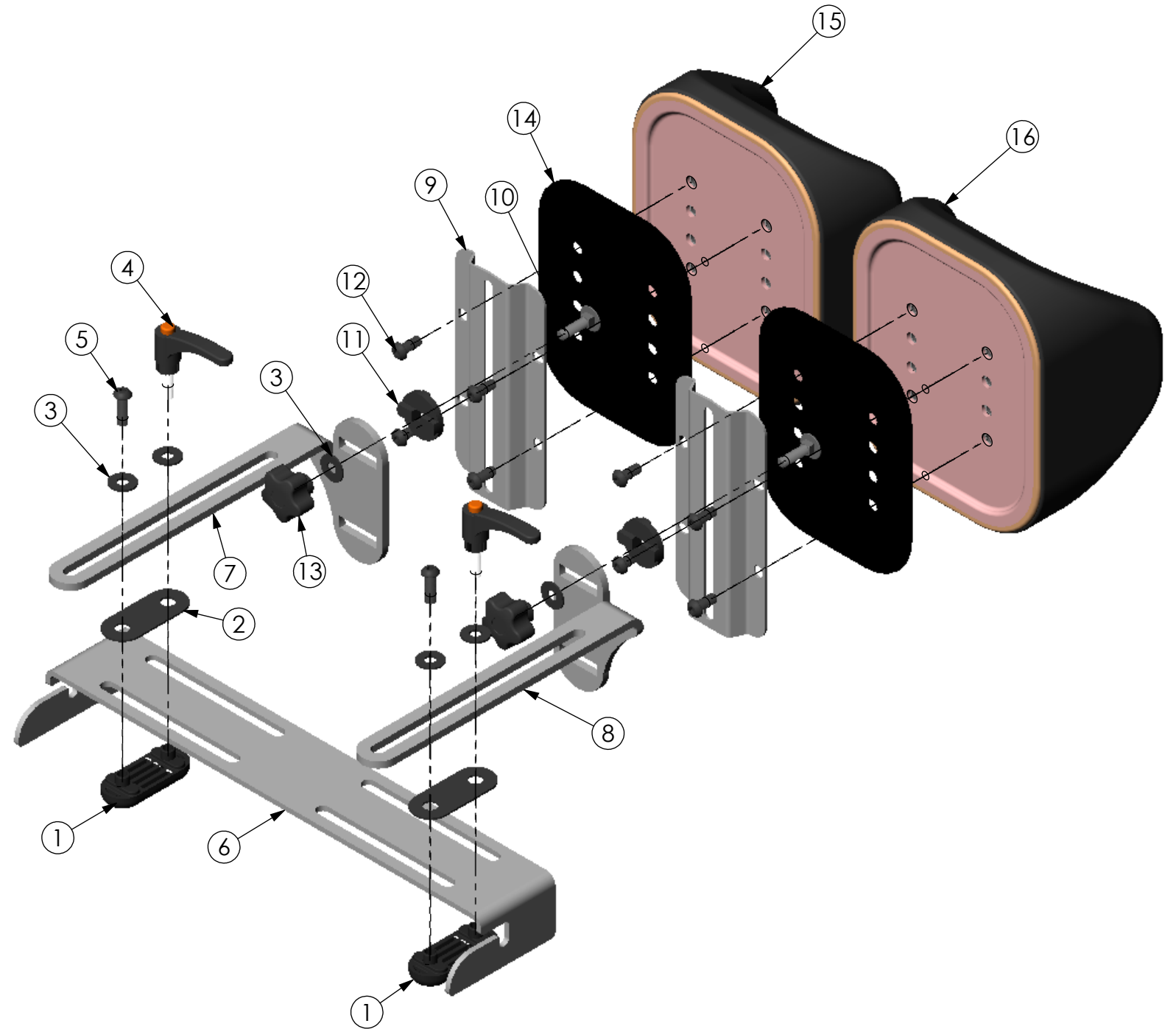
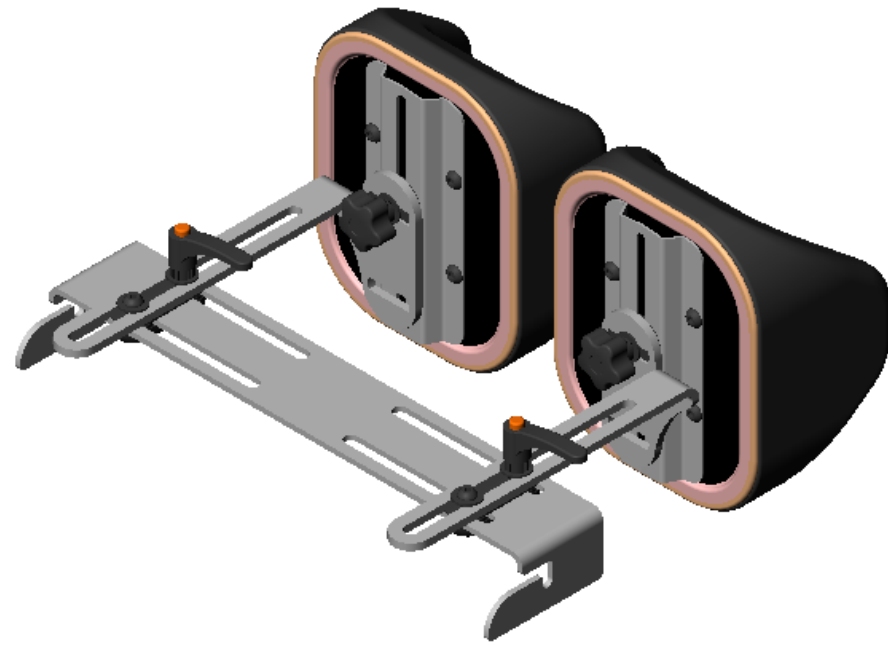


THE INFORMATION CONTAINED IN THIS DRAWING IS THE SOLE PROPERTY OF ALTIMATE MEDICAL. ANY REPRODUCTION IN PART OR WHOLE WITHOUT THE WRITTEN PERMISSION OF ALTIMATE MEDICAL IS PROHIBITED.

REVISIONS				
REV:	DESCRIPTION:	ECO #:	DATE:	APPROVED:
000	NEW RELEASE	DCR-00475	12/23/08	JVS
A	REPLACED NG30052R & L WITH NG30289R & L/ADDED NG20134	DCR-00475	12/23/08	JVS



ITEM NO.	PART NO.	REV	QTY.	NAME
1	NG20117	000	2	INDEPENDENT ADJUSTABLE KNEE CLAMP EVOLV
2	81174	-	2	INDEPENDANT ADJUSTMENT WASHER
3	91603	-	6	FLAT WASHER
4	600085	000	2	CLAMP LEVER 8mm X 25.4mm
5	600133	000	2	BOLT M8 X 25 BTN SHCS
6	NG11091	000	1	BRACKET H-FRAME KNEE EVOLV
7	NG11140	000	1	BRACKET IND KNEE H- FRAME LH
8	NG11141	000	1	BRACKET IND KNEE H-FRAME RH
9	NG11050	A	2	BRACKET EVOLV IND KNEE PAD BRACKET
10	600091	000	2	BOLT M8 X 1.25 - 30 CARRIAGE
11	NG20125	000	2	LUG ADJUSTMENT GUIDE
12	600053	000	8	BOLT M8 X 20 BTN SHCS
13	600132	000	2	KNOB M8 X 1.25 5 POINT FEMALE
14	NG20134	000	2	KNEE COVER BACK INDEPENDENT
15	NG30289R	000	1	KNEE PAD ASSY INDEPENDENT RIGHT
16	NG30289L	000	1	KNEE PAD ASSY INDEPENDENT LEFT

IF BOX CONTAINS AN "X", SEE NOTES THAT APPLY TO EACH SUBJECT.

- SEE SHIPPING INSTRUCTIONS
- RECIEVING INSPECTION
- SEE ENVIRONMENTAL INSTRUCTIONS

APPROVED: _____ DATE: _____

DRAWN: JVS DATE: 8/5/2008 MATERIAL: _____
 FINISH: _____
 CODE: ASMBLY
 EXPIRATION DATE: _____

UNLESS OTHERWISE SPECIFIED DIMENSIONS ARE IN INCHES. TOLERANCES AND SPECS. ARE:
 DECIMALS .X ± .1 ANGLES .X ± .5°
 .XX ± .03
 .XXX ± .015
 HOLE SIZE TOLERANCE: (+.005/- .000)
 BREAK EDGES .005 - .015
 CMFR DRILLED HOLES .03 X 45°

ALTIMATE MEDICAL, INC.
 PO BOX 180 - 262 WEST FIRST STREET - MORTON, MN 56270
 PHONE (507) 697-6393 FAX (507) 697-6900
 DESCRIPTION: PAD KNEE IND H-FRAME
 SIZE DWG. NO. **NG50425** REV. **A**
 SCALE = 1:4 CAD FILE NAME: NG50425 SHEET 1 OF 1