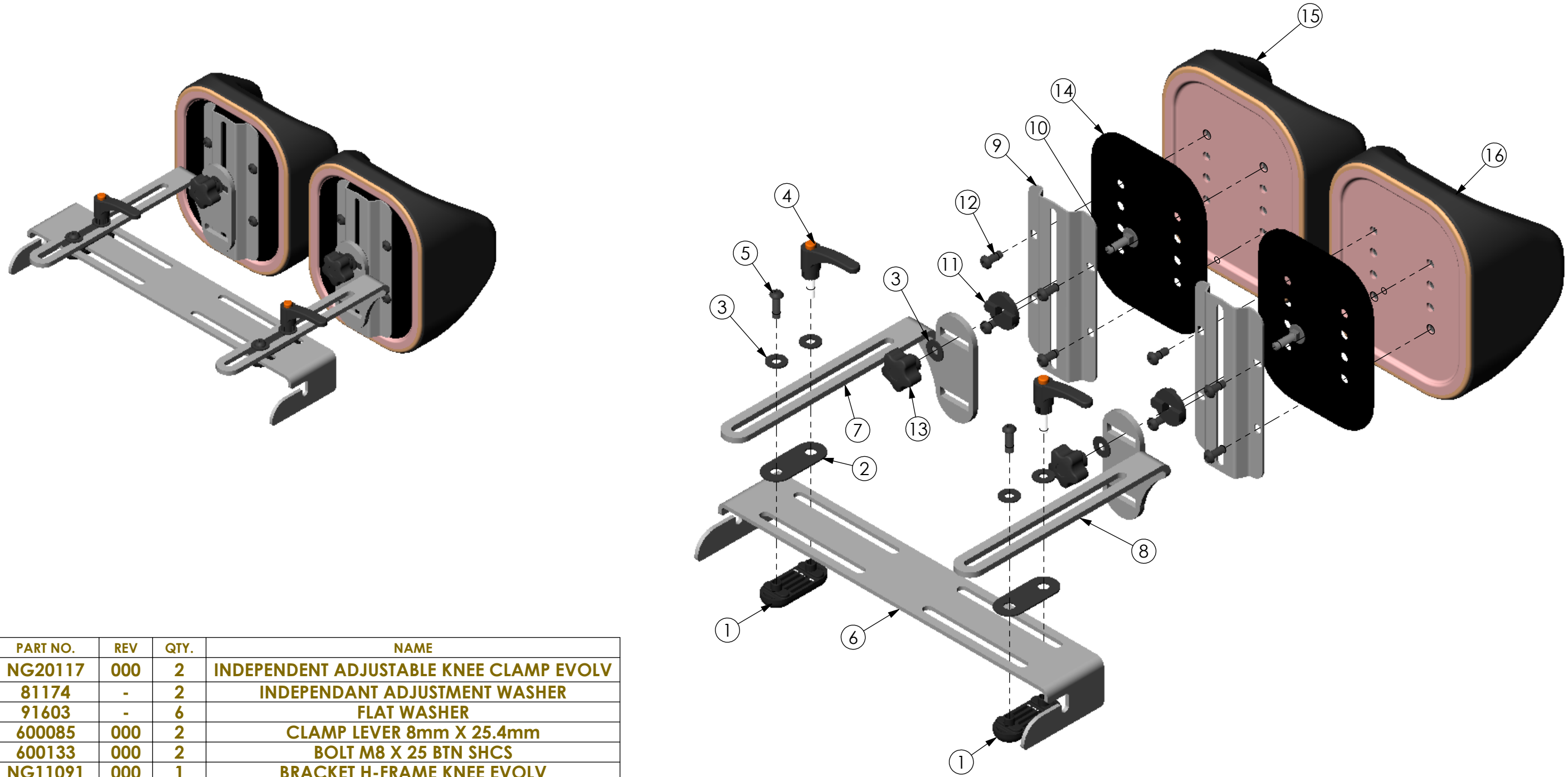


THE INFORMATION CONTAINED IN THIS DRAWING IS THE SOLE PROPERTY OF
 ALTIMATE MEDICAL. ANY REPRODUCTION IN PART OR WHOLE WITHOUT
 THE WRITTEN PERMISSION OF ALTIMATE MEDICAL IS PROHIBITED.

REVISIONS				
REV:	DESCRIPTION:	ECO #:	DATE:	APPROVED:
000	NEW RELEASE	DCR-00475	12/23/08	JVS
A	REPLACING NG30053L & R WITH NG30290L & R/ADDED NG20134	DCR-00750	12/16/10	JVS



ITEM NO.	PART NO.	REV	QTY.	NAME
1	NG20117	000	2	INDEPENDENT ADJUSTABLE KNEE CLAMP EVOLV
2	81174	-	2	INDEPENDANT ADJUSTMENT WASHER
3	91603	-	6	FLAT WASHER
4	600085	000	2	CLAMP LEVER 8mm X 25.4mm
5	600133	000	2	BOLT M8 X 25 BTN SHCS
6	NG11091	000	1	BRACKET H-FRAME KNEE EVOLV
7	NG11140	000	1	BRACKET IND KNEE H- FRAME LH
8	NG11141	000	1	BRACKET IND KNEE H-FRAME RH
9	NG11050	A	2	BRACKET EVOLV IND KNEE PAD BRACKET
10	600091	000	2	BOLT M8 X 1.25 - 30 CARRIAGE
11	NG20125	000	2	LUG ADJUSTMENT GUIDE
12	600053	000	8	BOLT M8 X 20 BTN SHCS
13	600132	000	2	KNOB M8 X 1.25 5 POINT FEMALE
14	NG20134	000	2	KNEE COVER BACK INDEPENDENT
15	NG30290R	000	1	KNEE ROHO PAD ASSY IND RIGHT
16	NG30290L	000	1	KNEE ROHO PAD ASSY IND LEFT

IF BOX CONTAINS AN "X", SEE NOTES THAT APPLY TO EACH SUBJECT. <input type="checkbox"/> SEE SHIPPING INSTRUCTIONS <input type="checkbox"/> RECIEVING INSPECTION <input type="checkbox"/> SEE ENVIRONMENTAL INSTRUCTIONS	APPROVED:	DATE:	UNLESS OTHERWISE SPECIFIED DIMENSIONS ARE IN INCHES. TOLERANCES AND SPECS. ARE: DECIMALS: .X ± .1 .XX ± .03 .XXX ± .015 ANGLES: .X ± .5° HOLE SIZE TOLERANCE: (+.005/-.000) BREAK EDGES .005 - .015 CMFR DRILLED HOLES .03 X 45°	ALTIMATE MEDICAL, INC. PO BOX 180 - 262 WEST FIRST STREET - MORTON, MN 56270 PHONE (507) 697-6393 FAX (507) 697-6900 DESCRIPTION: PAD KNEE IND ROHO H-FRAME SIZE DWG. NO. NG50426 REV. A SCALE = 1:4 CAD FILE NAME: NG50426 SHEET 1 OF 1	
	DRAWN: JVS	DATE: 8/5/2008			MATERIAL:
	EXPIRATION DATE:				FINISH:
					CODE: ASMBLY