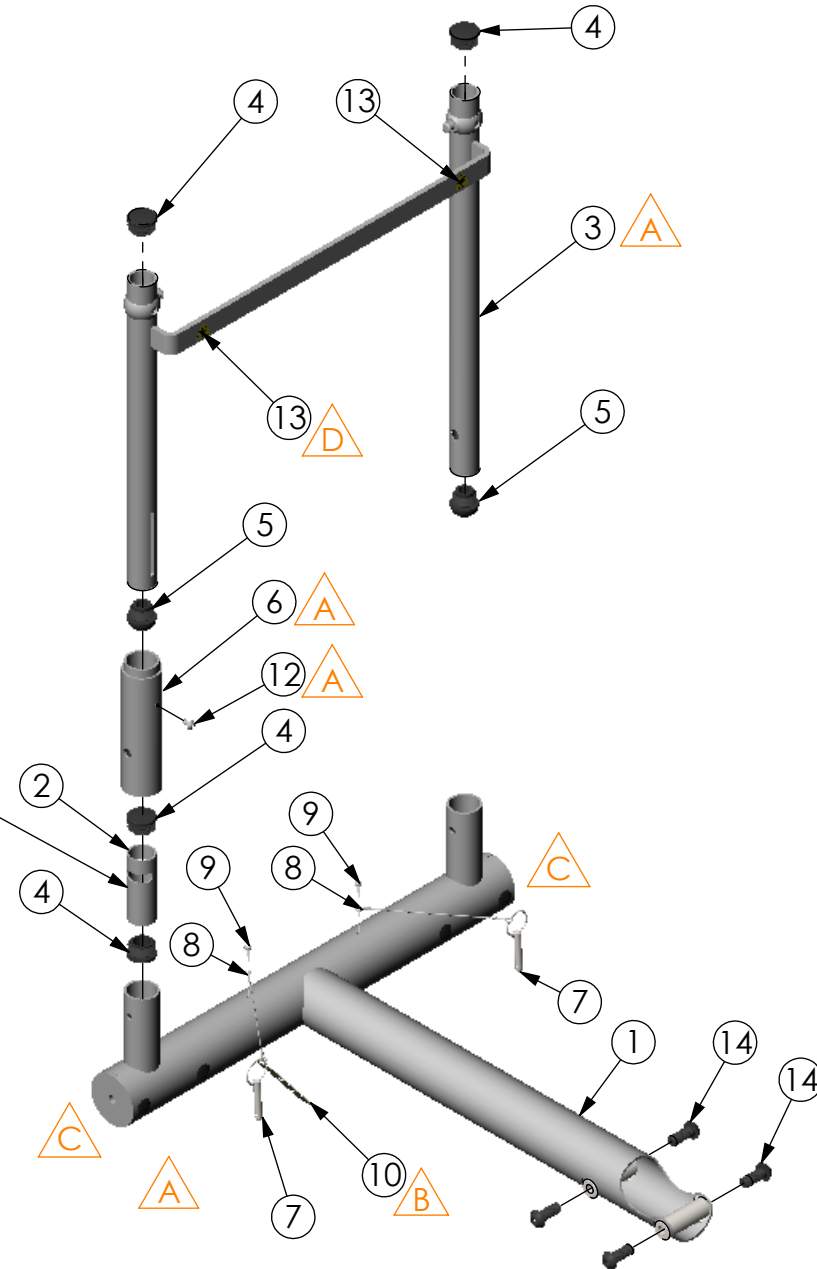
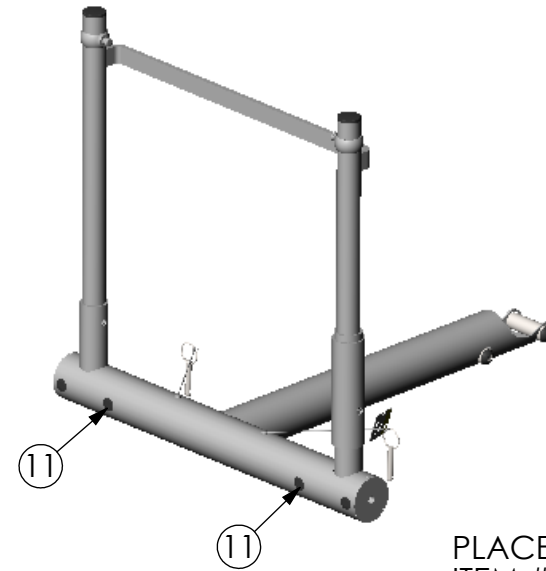
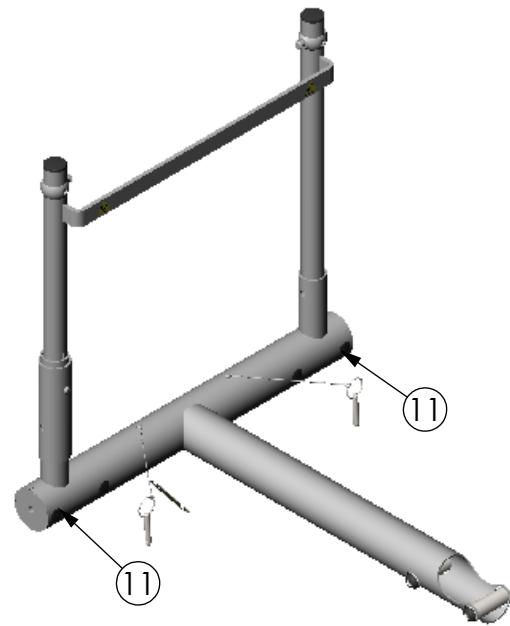


THE INFORMATION CONTAINED IN THIS DRAWING IS THE SOLE PROPERTY OF ALTIMATE MEDICAL. ANY REPRODUCTION IN PART OR WHOLE WITHOUT THE WRITTEN PERMISSION OF ALTIMATE MEDICAL IS PROHIBITED.

REVISIONS				
REV:	DESCRIPTION:	ECO #:	DATE:	APPROVED:
000	NEW RELEASE	DCR-00475	12/23/08	JVS
A	REVISED NG11144 & NG11080 TO REV A, ALSO CHANGED 600332 TO 91603 AND 600389 TO 600307	DCR-00487	2/4/09	JVS
B	REVISED #NG40045 TO REV A	DCR-0706	9/14/10	JVS
C	REMOVED 600006, 600147, 600218, AND 91603	DCR-00744	12/9/10	TJF
D	SWITCHED #80890 WITH Y4001, NEW PINCH STICKER	DCR-00919	4/24/12	JVS



PLACE SILICONE AROUND ITEM #2, SO SLOT STAYS ALIGNED WITH HOLE IN TABLE SOCKET.

NOTE: WHEEL OPTIONS  
 NG50488 - STANDARD WHEEL  
 NG50483 - SWIVEL WHEEL

ITEM NO.	PART NO.	REV	QTY.	NAME
1	NG11061	000	1	FRONT FRAME SWING OUT H STYLE
2	NG11092	A	1	FRAME H PLUG
3	NG11144	A	1	FRAME-H LOWER WELDMENT RH SHADOW
4	NG20105	000	4	CAP
5	600082	000	2	BALL CAP 1.25D 14-23 GA
6	NG11080	A	1	SWING AWAY SLEEVE EVOLV
7	92602	000	2	QUICK PIN
8	600395	000	2	LANYARD
9	600394	000	2	SCREW SELF-TAP #8-18 X 1/2" PH PAN HD TYPE
10	NG40045	A	1	CAUTION TAG
11	600255	000	8	CAP END M8 FLUSH
12	600307	000	1	BOLT BTNHD M5 X .8-14
13	Y4001	000	2	LABEL HAND CRUSH
14	600274	000	4	BOLT M12 X 1.75 - 30 BTN SHCS

IF BOX CONTAINS AN "X", SEE NOTES THAT APPLY TO EACH SUBJECT. <input type="checkbox"/> SEE SHIPPING INSTRUCTIONS <input type="checkbox"/> RECEIVING INSPECTION <input type="checkbox"/> SEE ENVIRONMENTAL INSTRUCTIONS	APPROVED:	DATE:	UNLESS OTHERWISE SPECIFIED DIMENSIONS ARE IN INCHES. TOLERANCES AND SPECS. ARE: DECIMALS .X ± .1 .XX ± .03 .XXX ± .015 HOLE SIZE TOLERANCE: (+.005/- .000) BREAK EDGES .005 - .015 CMFR DRILLED HOLES .03 X 45°	<b>ALTIMATE MEDICAL, INC.</b> PO BOX 180 - 262 WEST FIRST STREET - MORTON, MN 56270 PHONE (507) 697-6393 FAX (507) 697-6900 DESCRIPTION: EVOLV H-FRAME RH SHADOW SIZE DWG. NO. <b>NG50428</b> REV. <b>D</b> SCALE = 1:8 CAD FILE NAME: NG50428 SHEET 1 OF 1	
	DRAWN: JVS	DATE: 8/22/08			MATERIAL:
	EXPIRATION DATE:				FINISH:
					CODE: ASMBLY