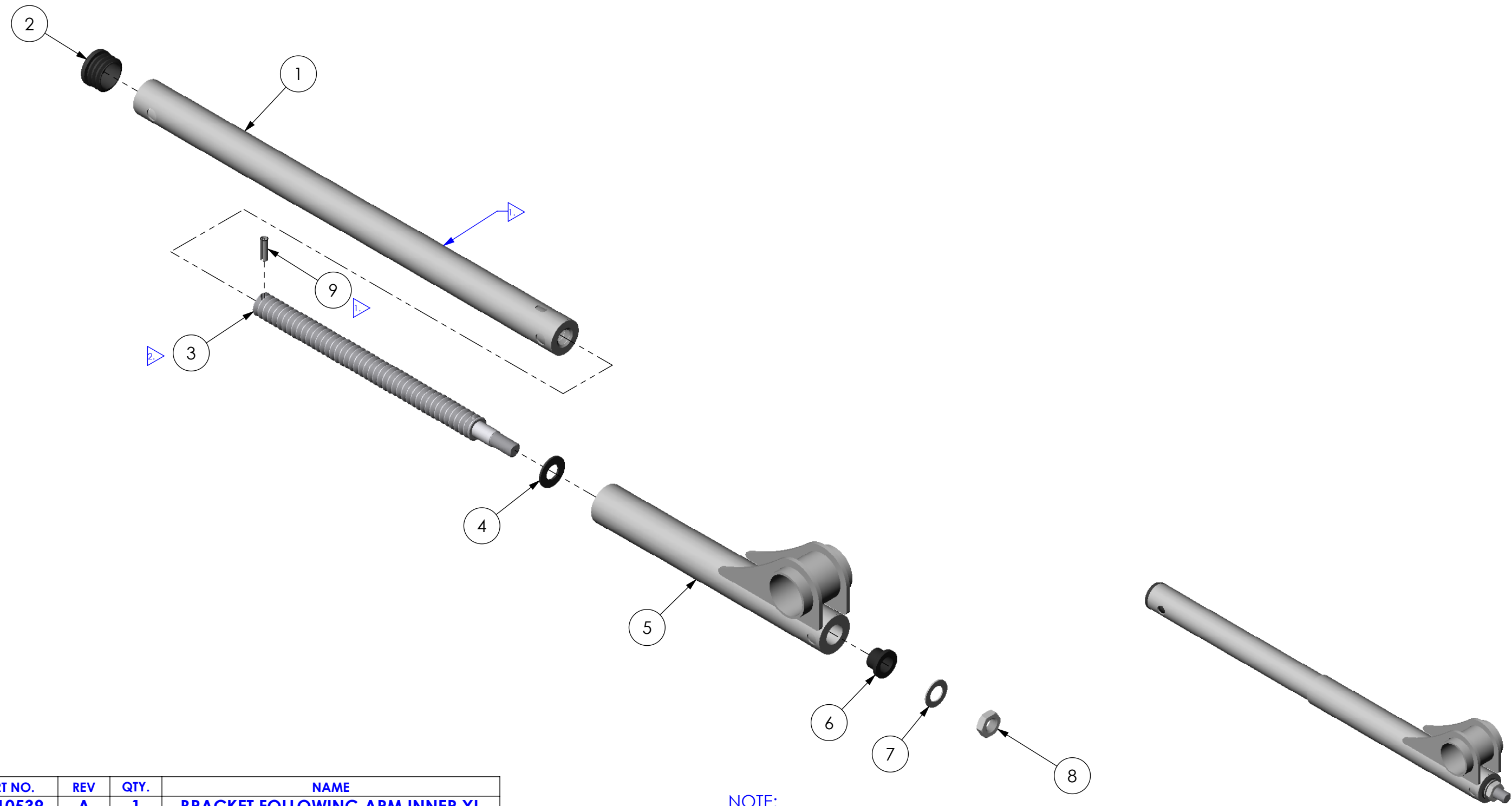


THE INFORMATION CONTAINED IN THIS DRAWING IS THE SOLE PROPERTY OF ALTIMATE MEDICAL. ANY REPRODUCTION IN PART OR WHOLE WITHOUT THE WRITTEN PERMISSION OF ALTIMATE MEDICAL IS PROHIBITED.

REVISIONS				
REV:	DESCRIPTION:	ECO #:	DATE:	APPROVED:
000	NEW RELEASE.	DCR-00459	10/8/08	MWL



ITEM NO.	PART NO.	REV	QTY.	NAME
1	NG10539	A	1	BRACKET FOLLOWING ARM INNER XL
2	600217	000	1	CAP END RND 1.125 OD
3	600004	B	1	SHAFT ADJ. FOLLOWING ARM
4	80283	-	1	FLAT WASHER
5	NG10410	A	1	BRACKET REAR FOLLOWING ARM
6	81256	000	1	WASHER-SHOULDER, NYLON
7	91602	-	1	BUSHING (SHIM)
8	600059	000	1	NUT JAM M12 X 1.75
9	600411	000	1	PIN SPRING 5mm X 20mm

NOTE:
 1. INSTALL PIN THROUGH ACCESS HOLE.
 2. APPLY ANTI-SEIZE LUBRICANT (600189) TO THREADS PRIOR TO ASSEMBLY. CHECK EXP. DATE.

IF BOX CONTAINS AN "X", SEE NOTES THAT APPLY TO EACH SUBJECT. <input type="checkbox"/> SEE SHIPPING INSTRUCTIONS <input type="checkbox"/> RECEIVING INSPECTION <input type="checkbox"/> SEE ENVIRONMENTAL INSTRUCTIONS	APPROVED:	DATE:	UNLESS OTHERWISE SPECIFIED DIMENSIONS ARE IN INCHES. TOLERANCES AND SPECS. ARE: DECIMALS: .X ± .1 .XX ± .03 .XXX ± .015 HOLE SIZE TOLERANCE: (+.005/- .000) BREAK EDGES .005 - .015 CMFR DRILLED HOLES .03 X 45°	ALTIMATE MEDICAL, INC. PO BOX 180 - 262 WEST FIRST STREET - MORTON, MN 56270 PHONE (507) 697-6393 FAX (507) 697-6900 DESCRIPTION: ASMBLY FOLLOWING ARM XT SIZE DWG. NO. NG50438 REV. 000 SCALE = 1:3 CAD FILE NAME: NG50438 SHEET 1 OF 1	
	DRAWN: MWL	DATE: 9/25/08			MATERIAL:
	EXPIRATION DATE: -	FINISH: -			CODE: ASMBLY