

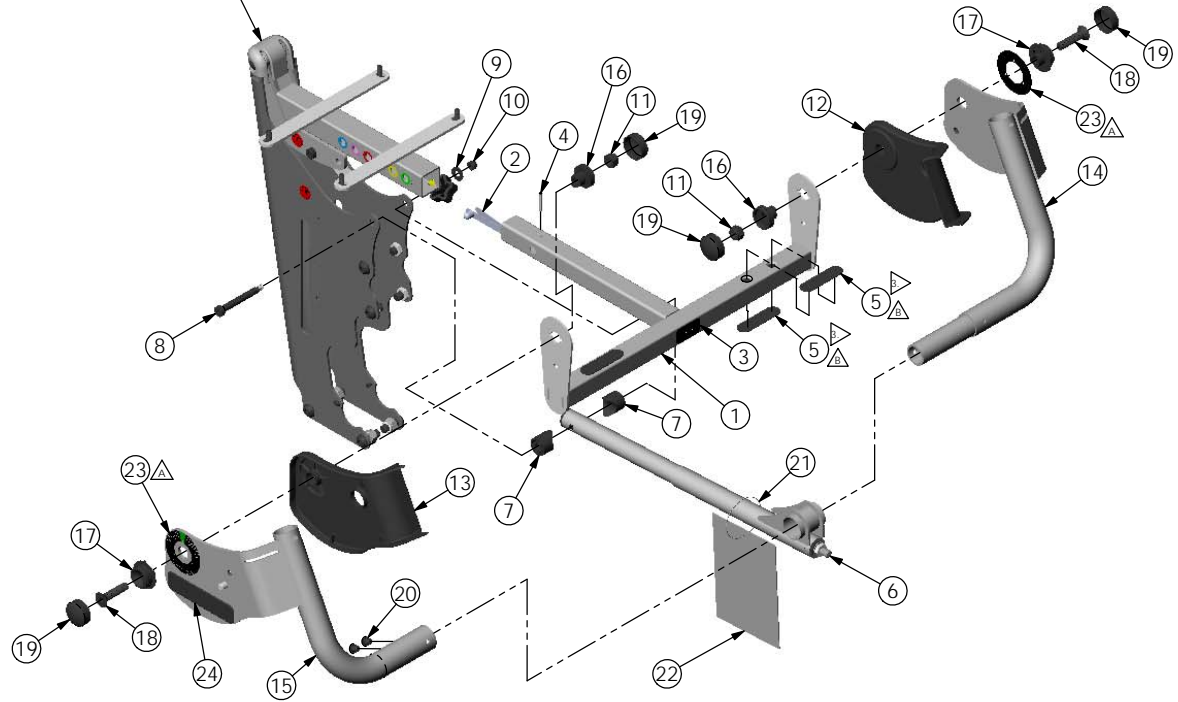
THE INFORMATION CONTAINED IN THIS DRAWING IS THE SOLE PROPERTY OF
 ALTIMATE MEDICAL. ANY REPRODUCTION IN PART OR WHOLE WITHOUT
 THE WRITTEN PERMISSION OF ALTIMATE MEDICAL IS PROHIBITED.

NOTE:

1. GREEN RING INDICATES MAX. SEAT DEPTH.
2. INSERT SNAP BUTTON 80825 INTO PLACE PRIOR TO DRIVING PIN 600370 INTO TUBE.
3. USE COVER STICKERS ON BOTH SIDES OF TUBE ON ALL FOUR HOLES.

REVISIONS				
REV.	DESCRIPTION	ECO #	DATE	APPROVED
000	NEW RELEASE	DCR-00459	10/27/08	MWL
A	UPDATED NG40000 TO REV A	DCR-00520	4/15/09	JVS
B	REPLACED 600410 WITH NG40057	DCR-00829	9/16/11	TJF

REFERENCE NG50209



ITEM NO.	PART NO.	REV	QTY.	NAME
1	NG10483	A	1	HIP PIVOT BRACKET EVOLV XL
2	80825	000	1	SNAP BUTTON
3	NG40042	000	1	LABEL 1.00 X 1.875 EVOLV XT
4	600371	A	1	PIN ROLL 1/8" DIA X 1-1/4" LONG
5	NG40057	000	4	HIP PIVOT BRACKET HOLE COVER
6	NG50438	000	1	ASMBLY FOLLOWING ARM XT
7	NG20073	000	2	BUSHING COVERED 1.125 O.D.
8	600218	000	1	BOLT SHOULDER M10 X 70
9	600108	000	1	FLAT WASHER M10
10	600009	000	1	NUT M8 X 1.25 NYLON LOCK
11	600011	000	2	NUT M12 X 1.75 NYLON LOCK
12	NG20008	000	1	COVER HIP R LG
13	NG20009	000	1	COVER HIP L LG
14	NG10521	000	1	BRACKET HIP MED RH
15	NG10522	000	1	BRACKET HIP MED LH
16	NG20021	B	2	BUSHING C'BORE M12
17	NG20020	C	2	BUSHING C'SINK M12
18	600368	000	2	BOLT M12 X 1.75 - 50 FLT HD SHCS
19	NG20027	000	4	COVER BUSHING
20	600125	000	2	BOLT M8 X 1.25 - 10 BTN SHCS
21	10787	01	1	SNAP TIE 9" LG
22	NG40018	000	1	INSTRUCTIONAL CARD EVOLV
23	NG40000	A	2	DECAL BACK ANGLE ADJ
24	NG40022	000	2	LABEL 1.25 X 5.28 EVOLV HIP

IF BOX CONTAINS AN "X", SEE NOTES THAT APPLY TO EACH SUBJECT. <input type="checkbox"/> SEE SHIPPING INSTRUCTIONS <input type="checkbox"/> RECEIVING INSPECTION <input type="checkbox"/> SEE ENVIRONMENTAL INSTRUCTIONS	APPROVED:	DATE:	UNLESS OTHERWISE SPECIFIED DIMENSIONS ARE IN INCHES. TOLERANCES AND SPECS. ARE: DECIMALS: X ± .1 ANGLES: X ± .5 XX ± .03 XXX ± .015 HOLE SIZE TOLERANCE: (+ .005 / - .000) BREAK EDGES .005 - .015 CMFR DRILLED HOLES .03 X 45°	ALTIMATE MEDICAL, INC. PO BOX 180 - 262 WEST FIRST STREET - MORTON, MN 56270 PHONE (507) 697-6393 FAX (507) 697-6900 DESCRIPTION: ASMBLY BACK REST XT SIZE DWG. NO. NG50443 REV. B SCALE = 1:1 CAD FILE NAME: NG50443 SHEET 1 OF 1	
	DRAWN: MWL	DATE: 9/30/08			MATERIAL:
	EXPIRATION DATE:				FINISH:
					CODE: ASMBLY