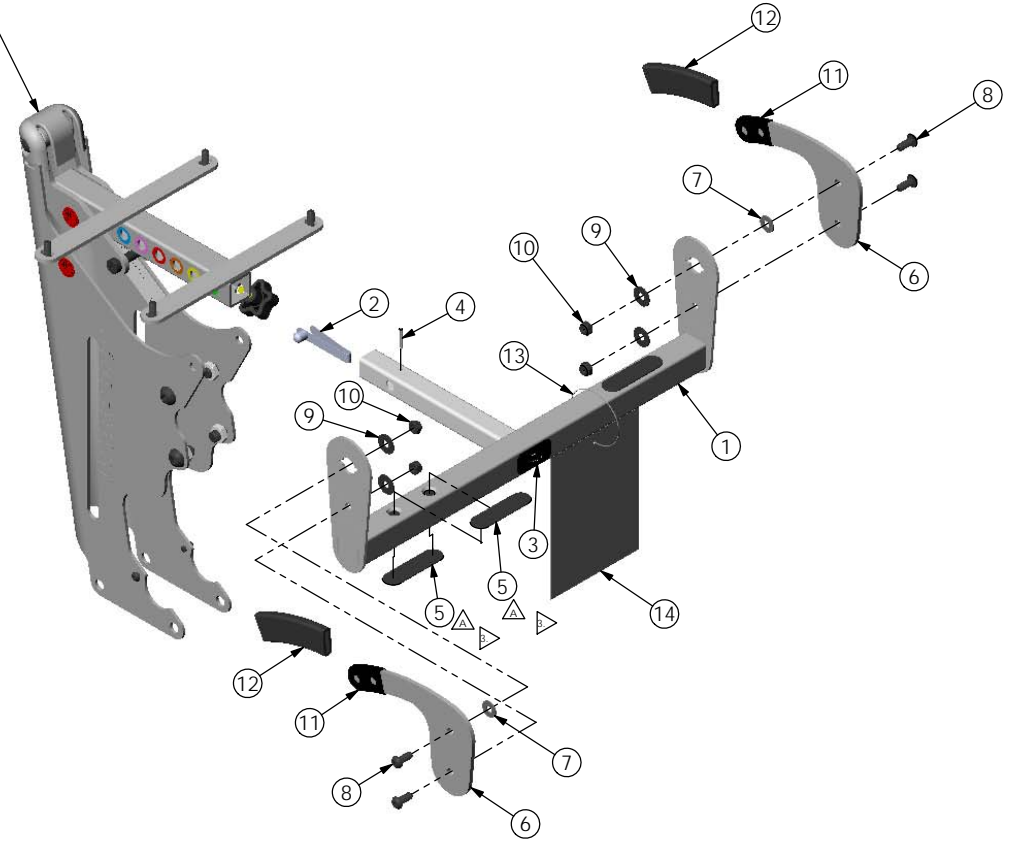


THE INFORMATION CONTAINED IN THIS DRAWING IS THE SOLE PROPERTY OF
 ALTIMATE MEDICAL. ANY REPRODUCTION IN PART OR WHOLE WITHOUT
 THE WRITTEN PERMISSION OF ALTIMATE MEDICAL IS PROHIBITED.

- NOTE:
 1. GREEN RING INDICATES MAX. SEAT DEPTH.
 2. INSERT SNAP BUTTON 80825 INTO PLACE PRIOR TO DRIVING PIN 600370 INTO TUBE.
 3. USE COVER STICKERS ON BOTH SIDES OF TUBE ON ALL FOUR HOLES.

REVISIONS				
REV.	DESCRIPTION	ECO #	DATE	APPROVED
000	NEW RELEASE	DCR-00459	10/27/08	MWL
A	REPLACED 600410 WITH NG40057	DCR-00829	9/16/11	TJF

REFERENCE NG50007



ITEM NO.	PART NO.	REV	QTY.	NAME
1	NG10389	A	1	BRACKET HIP PIVOT MED
2	80825	000	1	SNAP BUTTON
3	NG40029	000	1	LABEL 1.00 X 1.875 EVOLV YOUTH
4	600370	000	1	PIN ROLL 3mm DIA X 24mm LONG
5	NG40057	000	4	HIP PIVOT BRACKET HOLE COVER
6	NG10317	A	2	SEAT NO-BACK HANDLE
7	600160	000	2	WASHER 1/4" USS ZINC
8	600053	000	4	BOLT M8 X 20 BTN SHCS
9	91603	-	4	FLAT WASHER
10	600009	000	4	NUT M8 X 1.25 NYLON LOCK
11	80189	-	2	VYNLE CAP WITH 2 HOLES
12	90601	000	2	HAND GRIP
13	10787	-	1	SNAP TIE 9" LG
14	NG40018	000	1	INSTRUCTIONAL CARD EVOLV

IF BOX CONTAINS AN "X", SEE NOTES THAT APPLY TO EACH SUBJECT. <input type="checkbox"/> SEE SHIPPING INSTRUCTIONS <input type="checkbox"/> RECEIVING INSPECTION <input type="checkbox"/> SEE ENVIRONMENTAL INSTRUCTIONS	APPROVED:	DATE:	UNLESS OTHERWISE SPECIFIED DIMENSIONS ARE IN INCHES. TOLERANCES AND SPECS. ARE: DECIMALS: X ± .1 ANGLES: X ± .5 XX ± .03 XXX ± .015 HOLE SIZE TOLERANCE: (+ .005 / - .000) BREAK EDGES .005 - .015 CMFR DRILLED HOLES .03 X 45°	ALTIMATE MEDICAL, INC. PO BOX 180 - 262 WEST FIRST STREET - MORTON, MN 56270 PHONE (507) 697-6393 FAX (507) 697-6900 DESCRIPTION: ASMBLY EVOLV NO BACK YOUTH SIZE DWG. NO. NG50444 REV. A SCALE = 1:5 CAD FILE NAME: NG50444 SHEET 1 OF 1	
	DRAWN: MWL	DATE: 9/30/08			MATERIAL:
	EXPIRATION DATE:	FINISH:			CODE: ASMBLY