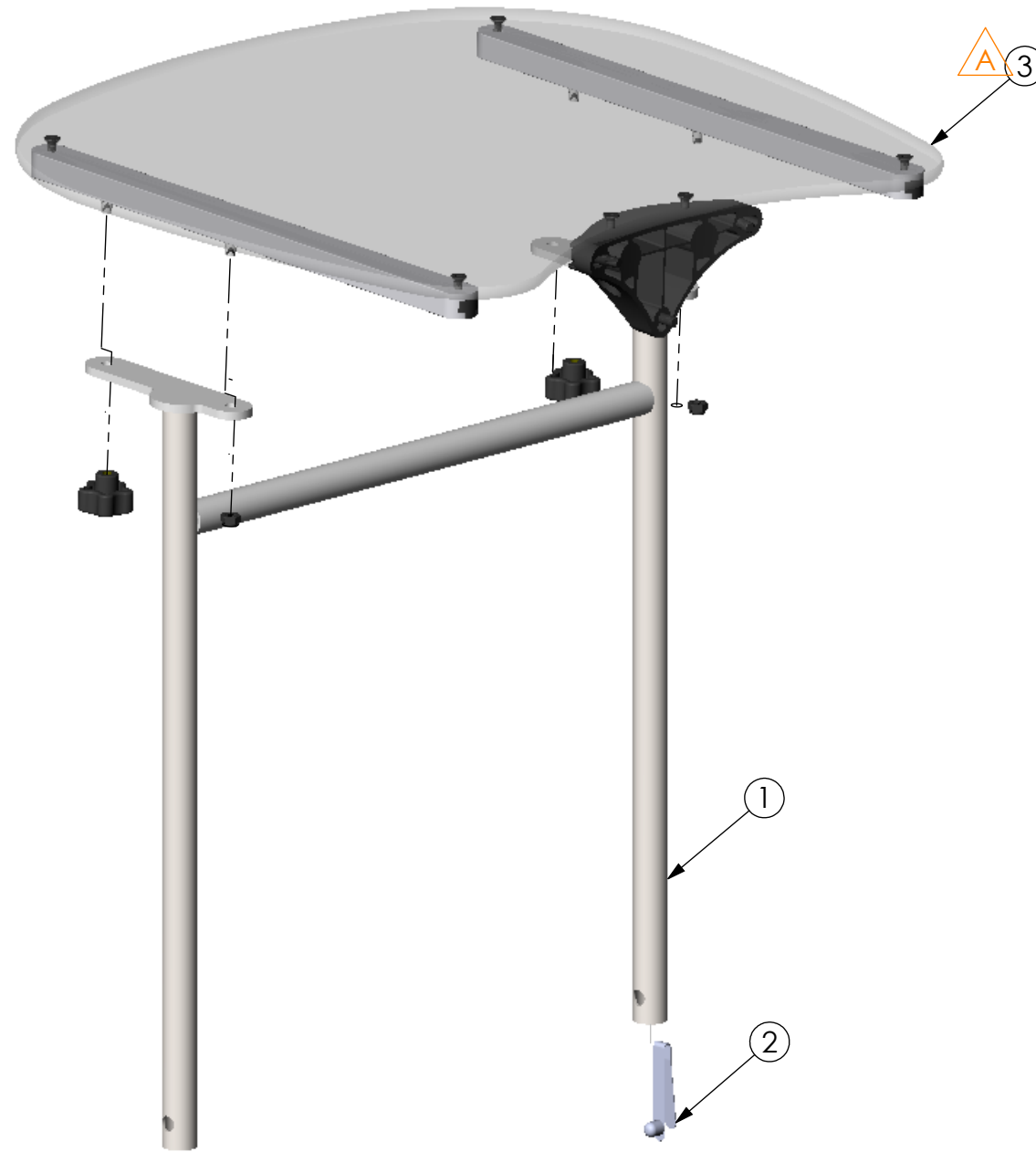


THE INFORMATION CONTAINED IN THIS DRAWING IS THE SOLE PROPERTY OF
 ALTIMATE MEDICAL. ANY REPRODUCTION IN PART OR WHOLE WITHOUT
 THE WRITTEN PERMISSION OF ALTIMATE MEDICAL IS PROHIBITED.

REVISIONS				
REV:	DESCRIPTION:	ECO #:	DATE:	APPROVED:
000	NEW RELEASE	DCR-00475	12/23/08	JVS
A	REVISED NG50455 TO REV C	DCR-00905	3/15/12	JVS



ITEM NO.	PART NO.	REV	QTY.	NAME
1	NG11086	000	1	TABLE H-FRAME EVOLV
2	80825	000	1	SNAP BUTTON
3	NG50455	C	1	TRAY ASSEMBLY CLEAR H-FRAME

IF BOX CONTAINS AN "X", SEE NOTES THAT APPLY TO EACH SUBJECT. <input type="checkbox"/> SEE SHIPPING INSTRUCTIONS <input type="checkbox"/> RECEIVING INSPECTION <input type="checkbox"/> SEE ENVIRONMENTAL INSTRUCTIONS	APPROVED:	DATE:	UNLESS OTHERWISE SPECIFIED DIMENSIONS ARE IN INCHES. TOLERANCES AND SPECS. ARE: DECIMALS ANGLES .X ± .1 .X ± .5° .XX ± .03 .XXX ± .015 HOLE SIZE TOLERANCE: (+.005/-.000) BREAK EDGES .005 - .015 CMFR DRILLED HOLES .03 X 45°	ALTIMATE MEDICAL, INC. PO BOX 180 - 262 WEST FIRST STREET - MORTON, MN 56270 PHONE (507) 697-6393 FAX (507) 697-6900 DESCRIPTION: TABLE ASSEMBLY CLEAR H-FRAME SIZE DWG. NO. NG50456 REV. A SCALE = 1:5 CAD FILE NAME: NG50456 SHEET 1 OF 1	
	DRAWN: JVS	DATE: 11/19/08			MATERIAL:
	EXPIRATION DATE:	-			FINISH:
	-	-			CODE: ASMBLY