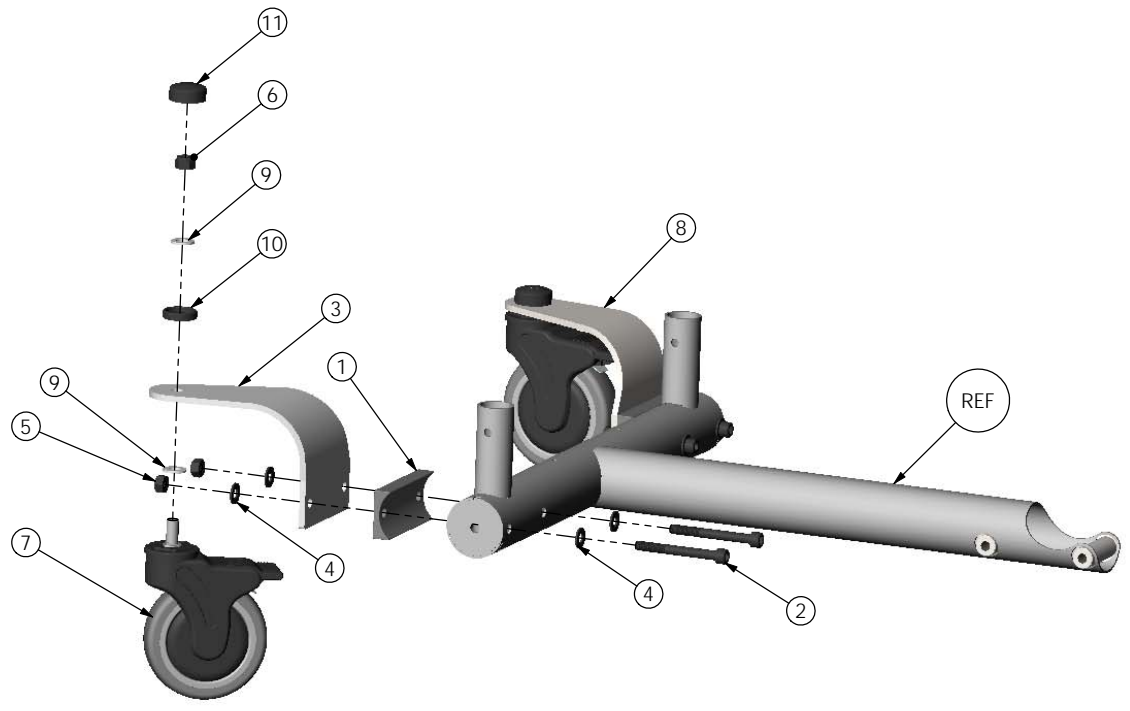


THE INFORMATION CONTAINED IN THIS DRAWING IS THE SOLE PROPERTY OF ALTIMATE MEDICAL. ANY REPRODUCTION IN PART OR WHOLE WITHOUT THE WRITTEN PERMISSION OF ALTIMATE MEDICAL IS PROHIBITED.

REVISIONS				
REV.	DESCRIPTION	ECO #	DATE	APPROVED
000	NEW RELEASE	DCR 00730	10/22/10	TJF



ITEM NO.	PART NO.	REV	QTY.	NAME
1	NG20133	000	2	H-FRAME FRONT SW SPACER
2	600331	000	4	BOLT M10 X 1.5 - 90 SHCS
3	NG11225	000	1	CASTER BRACKET LH
4	600108	000	8	FLAT WASHER M10
5	600010	000	4	NUT M10 X 1.5 NYLON LOCK
6	600011	000	2	NUT M12 X 1.75 NYLON LOCK
7	600005	B	2	CASTER 125mm BLACK
8	NG11226	000	1	CASTER BRACKET RH
9	600325	000	4	WASHER FLAT M12
10	NG20039	A	2	BUSHING SHOULDER
11	NG20027	000	2	COVER BUSHING

IF BOX CONTAINS AN "X", SEE NOTES THAT APPLY TO EACH SUBJECT: <input type="checkbox"/> SEE SHIPPING INSTRUCTIONS <input type="checkbox"/> RECEIVING INSPECTION <input type="checkbox"/> SEE ENVIRONMENTAL INSTRUCTIONS	APPROVED:	DATE:	UNLESS OTHERWISE SPECIFIED DIMENSIONS ARE IN INCHES. TOLERANCES AND SPECS. ARE: DECIMALS: X ± .1 ANGLES: X ± .5 XX ± .03 XXX ± .015 HOLE SIZE TOLERANCE: (+ .005 / - .000) BREAK EDGES .005 - .015 CMFR DRILLED HOLES .03 X 45°	ALTIMATE MEDICAL, INC. PO BOX 180 - 262 WEST FIRST STREET - MORTON, MN 56270 PHONE (507) 697-6393 FAX (507) 697-6900 DESCRIPTION: ASMBLY H-FRAME SW FRONT EVOLV SIZE DWG. NO. NG50483 REV. 000 SCALE = 1:8 CAD FILE NAME: NG50483 SHEET 1 OF 1	
	DRAWN: TJF	DATE: 10/21/10			MATERIAL:
	EXPIRATION DATE:	FINISH:			CODE: ASMBLY