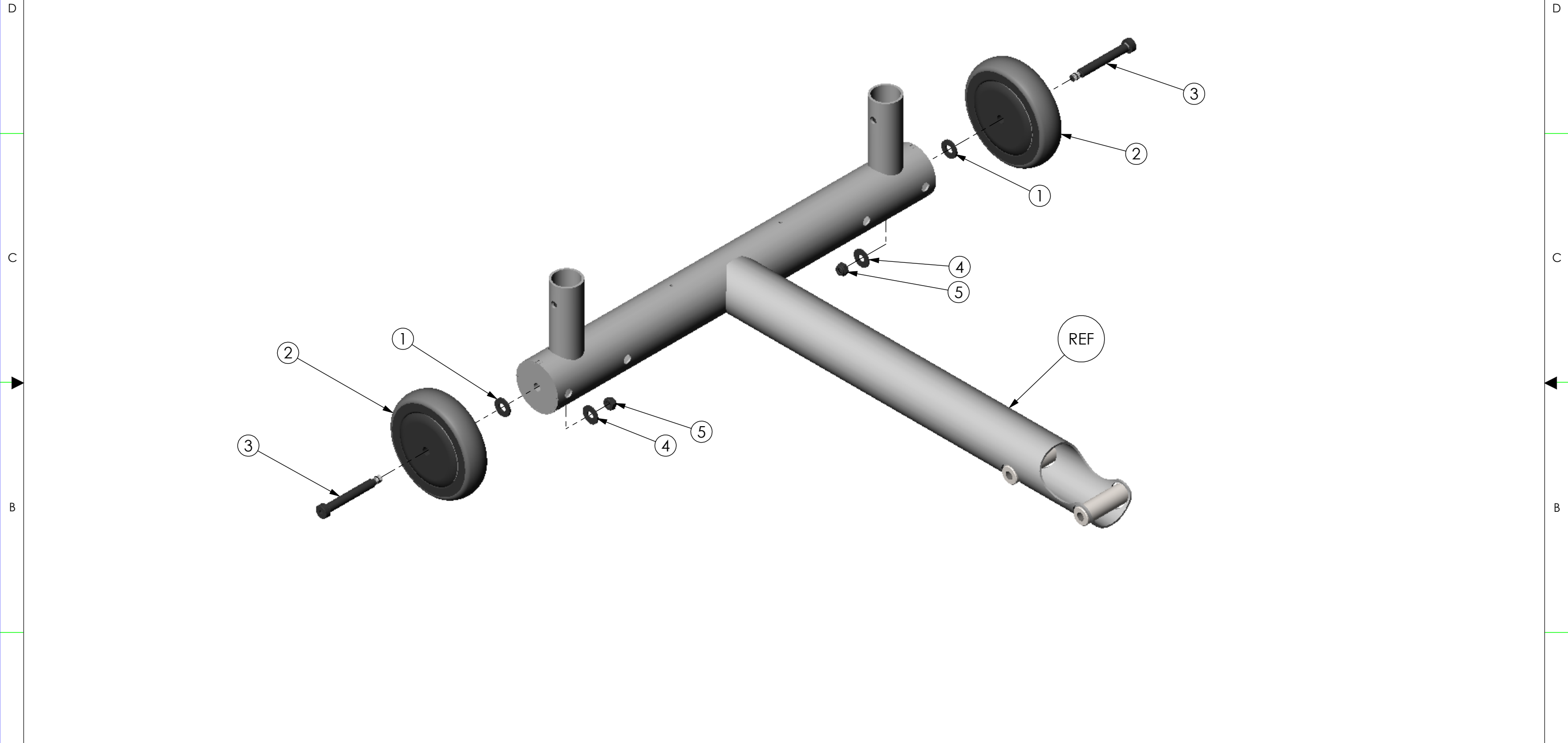


THE INFORMATION CONTAINED IN THIS DRAWING IS THE SOLE PROPERTY OF  
 ALTIMATE MEDICAL. ANY REPRODUCTION IN PART OR WHOLE WITHOUT  
 THE WRITTEN PERMISSION OF ALTIMATE MEDICAL IS PROHIBITED.

REVISIONS				
REV:	DESCRIPTION:	ECO #:	DATE:	APPROVED:
000	NEW RELEASE	DCR-00744	12/9/10	TJF



ITEM NO.	PART NO.	REV	QTY.	NAME
1	600147	000	2	WASHER M10 NYLON
2	600006	A	2	WHEEL FRONT 125mm DIA
3	600218	000	2	BOLT SHOULDER M10 X 70
4	91603	01	2	FLAT WASHER
5	600009	000	2	NUT M8 X 1.25 NYLON LOCK

IF BOX CONTAINS AN "X", SEE NOTES THAT APPLY TO EACH SUBJECT. <input type="checkbox"/> SEE SHIPPING INSTRUCTIONS <input type="checkbox"/> RECEIVING INSPECTION <input type="checkbox"/> SEE ENVIRONMENTAL INSTRUCTIONS	APPROVED:	DATE:	<b>UNLESS OTHERWISE SPECIFIED DIMENSIONS ARE IN INCHES. TOLERANCES AND SPECS. ARE:</b> DECIMALS      ANGLES .X ± .1          .X ± .5° .XX ± .03 .XXX ± .015 HOLE SIZE TOLERANCE: (+.005/-.000) BREAK EDGES .005 - .015 CMFR DRILLED HOLES .03 X 45°	
	DRAWN: TJF	DATE: 12/9/10		MATERIAL:
	EXPIRATION DATE:	-		FINISH:
	CODE:	ASMBLY		

**ALTIMATE MEDICAL, INC.**  
 PO BOX 180 - 262 WEST FIRST STREET - MORTON, MN 56270  
 PHONE (507) 697-6393 FAX (507) 697-6900  
 DESCRIPTION: H-FRAME STANDARD FRONT EVOLV  
 SIZE DWG. NO. **NG50488** REV. 000  
 SCALE = 1:12 CAD FILE NAME: NG50488 SHEET 1 OF 1