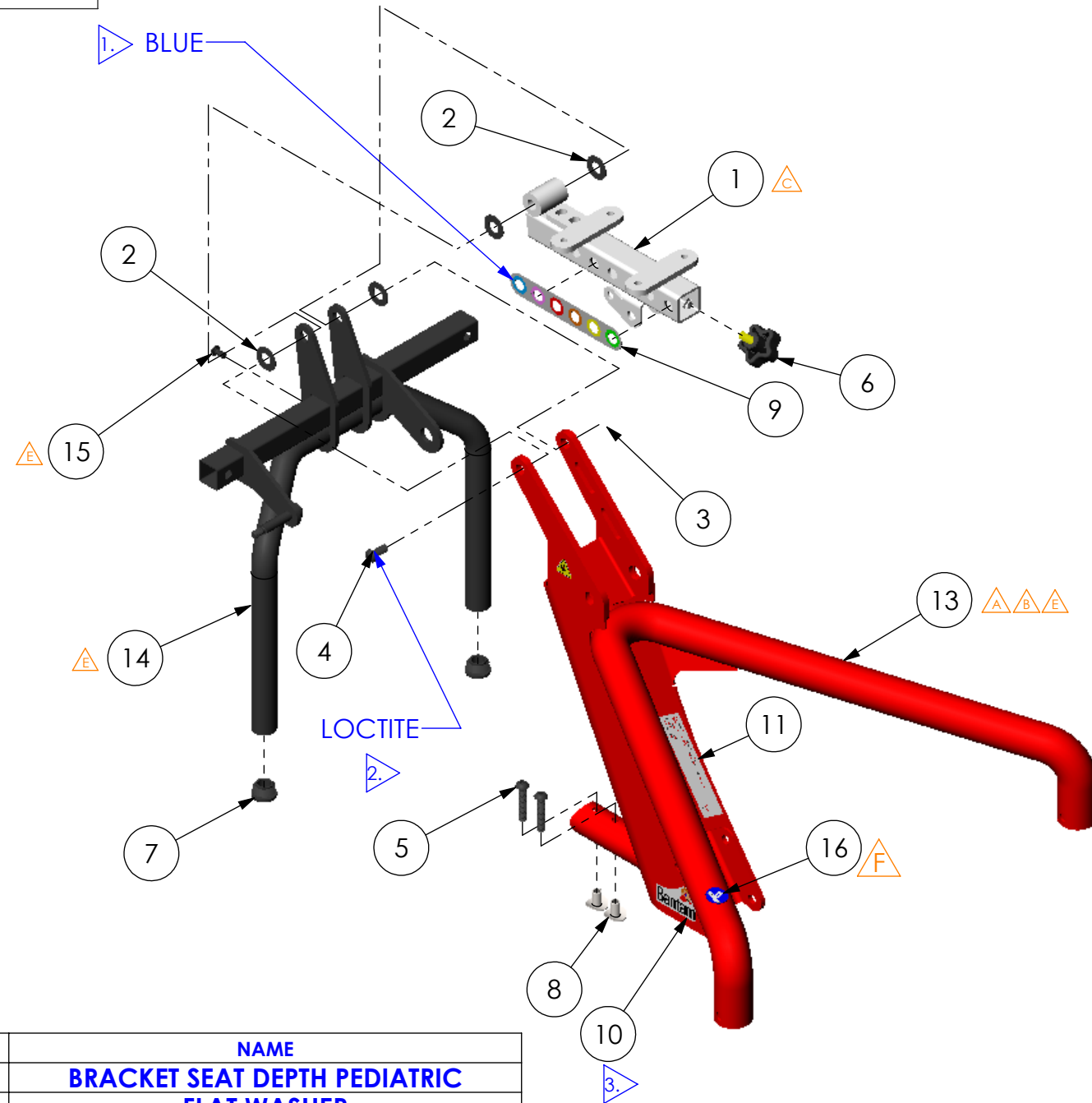


THE INFORMATION CONTAINED IN THIS DRAWING IS THE SOLE PROPERTY OF ALTIMATE MEDICAL. ANY REPRODUCTION IN PART OR WHOLE WITHOUT THE WRITTEN PERMISSION OF ALTIMATE MEDICAL IS PROHIBITED.

REVISIONS				
REV:	DESCRIPTION:	ECO #:	DATE:	APPROVED:
000	NEW RELEASE.	DCR-00460	10/13/08	MWL
A	REVISED T10010. NO CHANGE TO FIT, FORM OR FUNCTION.	DCR-00499	2/26/09	MWL
B	REVISED T10010. NO CHANGE TO FIT, FORM OR FUNCTION.	DCR-00567	7/6/09	MWL
C	REVISED T10017. NO CHANGE TO FIT, FORM OR FUNCTION.	DCR-00589	8/27/09	MWL
D	REMOVED NG50100 FROM THIS BILL OF MATERIALS.	DCR-00613	10/29/09	MWL
E	REVISED T10010 AND T10029 ALSO REPLACED 600385 WITH 600340	DCR-00778	3/7/11	TJF
F	SWITCHED #80890 WITH Y4001, NEW PINCH STICKER	DCR-00919	4/25/12	JVS
-	ALSO ADDED NG40058/DECAL	DCR-00919	-	-



ITEM NO.	PART NO.	REV	QTY.	NAME
1	T10017	A	1	BRACKET SEAT DEPTH PEDIATRIC
2	80283	000	4	FLAT WASHER
3	600338	000	1	BOLT SEX 12mm DIA X 65mm
4	600053	000	1	BOLT M8 X 1.25 - 20 BTN SHCS
5	600137	000	2	BOLT M8 X 1.25 - 40 BTN SHCS
6	600131	000	1	KNOB MALE 5 POINT M8 X 1.25 - 16
7	10073	000	2	CAP
8	600346	000	2	NUT WELD CURVED M8 X 1.25
9	NG40015	000	1	LABEL SEAT DEPTH
10	T40003	000	2	DECAL BANTAM LOGO
11	10765	A	1	SERIAL USA/CE NUMBER LABEL
12	Y4001	000	3	LABEL HAND CRUSH
13	T10010	C	1	SEAT COLUMN PEDIATRIC
14	T10029	A	1	BRACKET SUPINE PEDIATRIC
15	600220	000	1	BOLT BTN SHCS M6 X 1.0 - 12
16	NG40058	000	1	DECAL "SEE INSTRUCTIONS FOR USE"

NOTES:
 1. LABEL MUST BE ORIENTED AS SHOWN.
 2. APPLY LOCTITE 262 OR EQUIVALENT TO THREADS.
 3. PLACE DECAL ON OTHER SIDE IN SIMILAR FASHION.

IF BOX CONTAINS AN "X", SEE NOTES THAT APPLY TO EACH SUBJECT.		APPROVED: _____ DATE: _____		UNLESS OTHERWISE SPECIFIED DIMENSIONS ARE IN INCHES. TOLERANCES AND SPECS. ARE:		ALTIMATE MEDICAL, INC.	
<input type="checkbox"/> SEE SHIPPING INSTRUCTIONS	<input type="checkbox"/> RECEIVING INSPECTION	DRAWN: MWL	DATE: 2/26/08	MATERIAL:	DECIMALS .X ± .1	ANGLES .X ± .5°	PO BOX 180 - 262 WEST FIRST STREET - MORTON, MN 56270
<input type="checkbox"/> SEE ENVIRONMENTAL INSTRUCTIONS		OPTION NUMBER: -		FINISH: -	.XX ± .03	.XXX ± .015	PHONE (507) 697-6393 FAX (507) 697-6900
				CODE: ASMBLY	HOLE SIZE TOLERANCE: (+.005/- .000)	BREAK EDGES .005 - .015	DESCRIPTION: ASMBLY FRAME PEDIATRIC
					CMFR DRILLED HOLES .03 X 45°		SIZE DWG. NO. T50000
							REV. F
							SCALE = 1:6 CAD FILE NAME: T50000 SHEET 1 OF 1