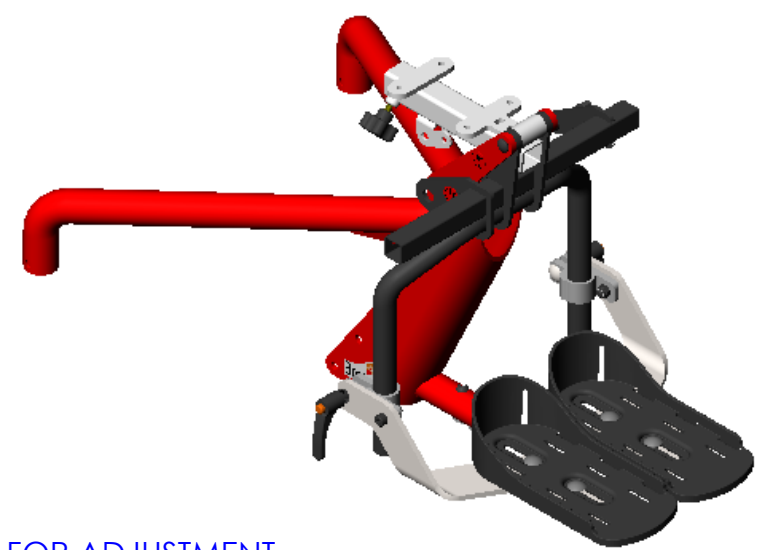
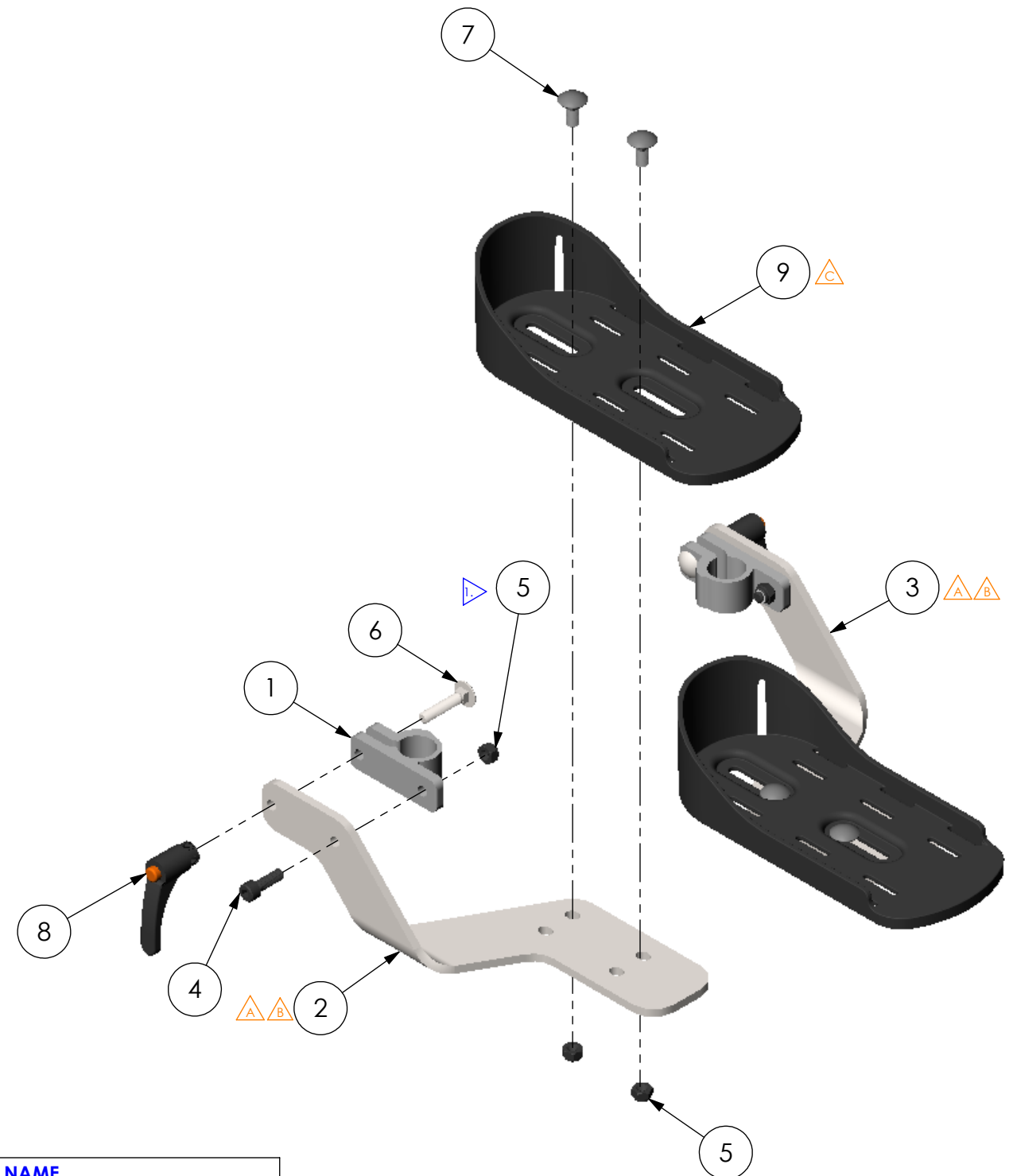


THE INFORMATION CONTAINED IN THIS DRAWING IS THE SOLE PROPERTY OF ALTIMATE MEDICAL. ANY REPRODUCTION IN PART OR WHOLE WITHOUT THE WRITTEN PERMISSION OF ALTIMATE MEDICAL IS PROHIBITED.

| REVISIONS | | | | |
|-----------|---|-----------|----------|-----------|
| REV: | DESCRIPTION: | ECO #: | DATE: | APPROVED: |
| 000 | NEW RELEASE. | DCR-00460 | 10/15/08 | MWL |
| A | REVISED T10045 AND T10046 TO EASE ASSEMBLY. | DCR-00498 | 2/26/09 | MWL |
| B | REVISED T10045 AND T10046 TO EASE ASSEMBLY. | DCR-00549 | 6/9/09 | MWL |
| C | REVISED T20002 BY LOWERING SIDE WALL HEIGHT. CHANGED TITLE. | DCR-00627 | 11/24/08 | MWL |



| ITEM NO. | PART NO. | REV | QTY. | NAME |
|----------|----------|-----|------|------------------------------|
| 1 | T10044 | A | 2 | CLAMP 1.00 DIA. |
| 2 | T10045 | B | 1 | BRACKET FOOT PED STANDARD RH |
| 3 | T10046 | B | 1 | BRACKET FOOT PED STANDARD LH |
| 4 | 600035 | 000 | 2 | BOLT M8 X 1.25 - 25 SHCS |
| 5 | 600009 | 000 | 6 | NUT M8 X 1.25 NYLON LOCK |
| 6 | 600266 | 000 | 2 | BOLT CARRIAGE M8 X 1.25 - 40 |
| 7 | 600126 | 000 | 4 | BOLT M8 X 1.25 - 20 CARRIAGE |
| 8 | 600092 | 000 | 2 | M8 FEMALE QUICK ADJUST KNOB |
| 9 | T20002 | A | 2 | FOOTPLATE SMALL |

NOTE:
1. LEAVE NUT JUST LOOSE ENOUGH TO ALLOW FOR ADJUSTMENT.

| | | | | | |
|---|---|-----------------------------|------------------|---|---|
| IF BOX CONTAINS AN "X", SEE NOTES THAT APPLY TO EACH SUBJECT. | | APPROVED: _____ DATE: _____ | | UNLESS OTHERWISE SPECIFIED DIMENSIONS ARE IN INCHES. TOLERANCES AND SPECS. ARE: DECIMALS ANGLES .X ± .1 .X ± .5° .XX ± .03 .XXX ± .015 HOLE SIZE TOLERANCE: (+.005/-.000) BREAK EDGES .005 - .015 CMFR DRILLED HOLES .03 X 45° | ALTIMATE MEDICAL, INC. PO BOX 180 - 262 WEST FIRST STREET - MORTON, MN 56270 PHONE (507) 697-6393 FAX (507) 697-6900 DESCRIPTION: FOOT PLATE ASMBLY PED SMALL SIZE DWG. NO. T50005 REV. C SCALE = 1:4 CAD FILE NAME: T50005 SHEET 1 OF 1 |
| <input type="checkbox"/> SEE SHIPPING INSTRUCTIONS | <input type="checkbox"/> RECEIVING INSPECTION | DRAWN: MWL | DATE: 1/25/08 | | |
| <input type="checkbox"/> SEE ENVIRONMENTAL INSTRUCTIONS | | MATERIAL: | FINISH: - | | |
| | | CODE: ASMBLY | OPTION NUMBER: - | | |