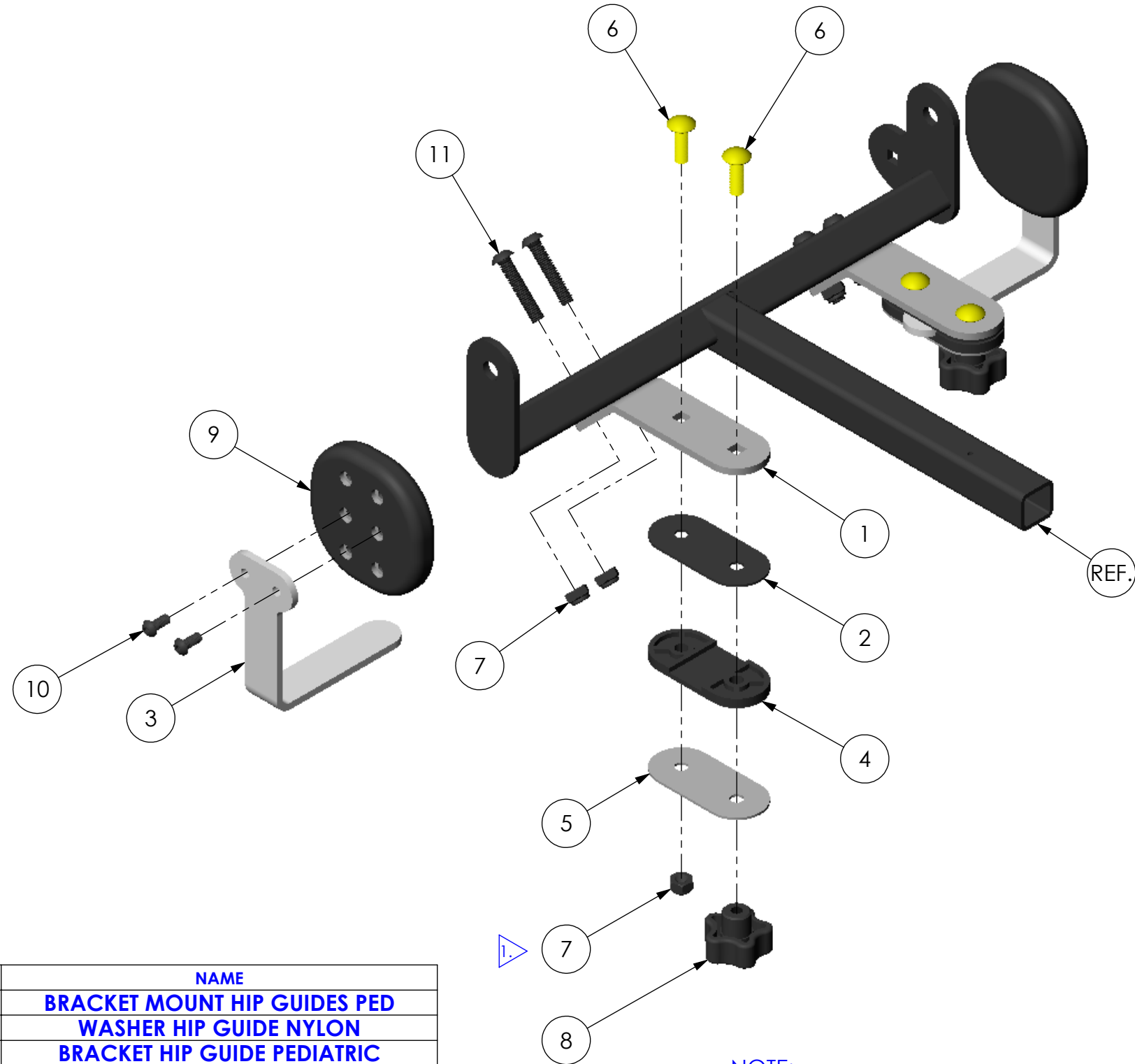


THE INFORMATION CONTAINED IN THIS DRAWING IS THE SOLE PROPERTY OF
 ALTIMATE MEDICAL. ANY REPRODUCTION IN PART OR WHOLE WITHOUT
 THE WRITTEN PERMISSION OF ALTIMATE MEDICAL IS PROHIBITED.

REVISIONS				
REV:	DESCRIPTION:	ECO #:	DATE:	APPROVED:
000	NEW RELEASE.	DCR-00460	10/16/08	MWL



ITEM NO.	PART NO.	REV	QTY.	NAME
1	T10062	000	2	BRACKET MOUNT HIP GUIDES PED
2	NG20061	000	2	WASHER HIP GUIDE NYLON
3	T10063	000	2	BRACKET HIP GUIDE PEDIATRIC
4	NG20062	A	2	BUSHING CLAMP HIP GUIDE
5	NG10357	A	2	CLAMP HIP GUIDES
6	600183	000	4	BOLT CARRIAGE M8 X 1.25 - 25
7	600009	000	6	NUT M8 X 1.25 NYLON LOCK
8	600132	000	2	KNOB FEMALE 5 POINT M8 X 1.25
9	T30000	000	2	PAD SUPPORT FLAT SMALL
10	600374	000	4	BOLT BTN SHCS M6 X 1.0 - 14
11	600137	-	4	BOLT M8 X 1.25 - 40 BTN SHCS

NOTE:
 1. LEAVE NUT JUST LOOSE ENOUGH TO ALLOW FOR ADJUSTMENT.

IF BOX CONTAINS AN "X", SEE NOTES THAT APPLY TO EACH SUBJECT. <input type="checkbox"/> SEE SHIPPING INSTRUCTIONS <input type="checkbox"/> RECEIVING INSPECTION <input type="checkbox"/> SEE ENVIRONMENTAL INSTRUCTIONS	APPROVED:	DATE:	UNLESS OTHERWISE SPECIFIED DIMENSIONS ARE IN INCHES. TOLERANCES AND SPECS. ARE: DECIMALS ANGLES .X ± .1 .X ± .5° .XX ± .03 .XXX ± .015 HOLE SIZE TOLERANCE: (+.005/-.000) BREAK EDGES .005 - .015 CMFR DRILLED HOLES .03 X 45°	ALTIMATE MEDICAL, INC. PO BOX 180 - 262 WEST FIRST STREET - MORTON, MN 56270 PHONE (507) 697-6393 FAX (507) 697-6900 DESCRIPTION: ASMBLY HIP GUIDES PEDIATRIC SIZE DWG. NO. T50007 REV. 000 SCALE = 1:3 CAD FILE NAME: T50007 SHEET 1 OF 1
	DRAWN: MWL	DATE: 1/28/08		
	OPTION NUMBER: -	FINISH: -	CODE: ASMBLY	