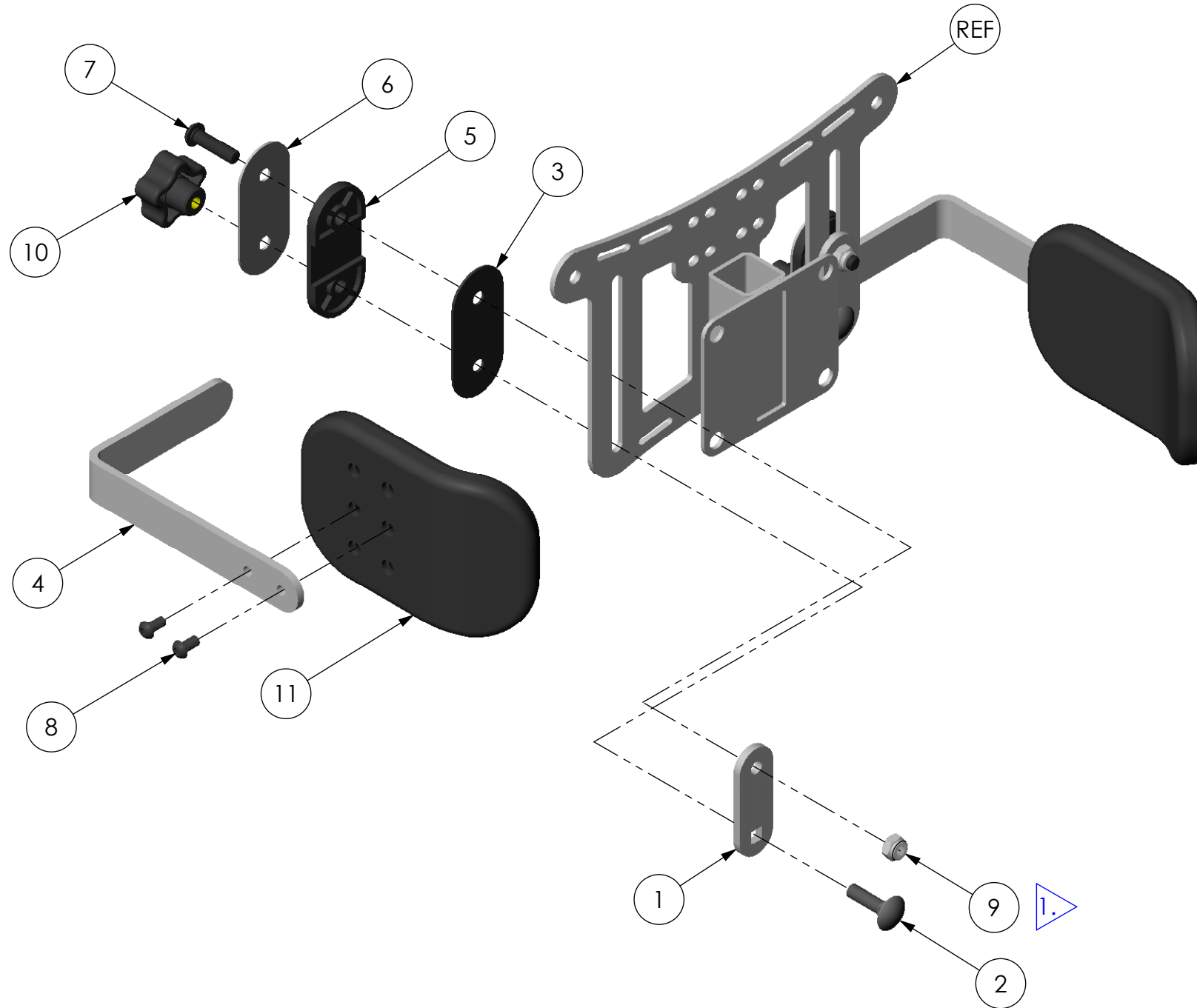


THE INFORMATION CONTAINED IN THIS DRAWING IS THE SOLE PROPERTY OF
 ALTIMATE MEDICAL. ANY REPRODUCTION IN PART OR WHOLE WITHOUT
 THE WRITTEN PERMISSION OF ALTIMATE MEDICAL IS PROHIBITED.

REVISIONS				
REV:	DESCRIPTION:	ECO #:	DATE:	APPROVED:
000	NEW RELEASE.	DCR-00460	10/16/08	MWL



ITEM NO.	PART NO.	REV	QTY.	NAME
1	T10051	000	2	CLAMP LATERAL GUIDES
2	600091	000	2	BOLT M8 X 1.25 - 30 CARRIAGE
3	NG20061	000	2	WASHER HIP GUIDE NYLON
4	T10067	000	2	BRACKET LATERAL GUIDE PED
5	NG20062	A	2	BUSHING CLAMP HIP GUIDE
6	NG10357	A	2	CLAMP HIP GUIDES
7	600138	000	2	BTN SHCS M8 X 1.25-30
8	600340	000	4	BOLT BTN SHCS M6 X 1.0 - 12
9	600009	000	2	NUT M8 X 1.25 NYLON LOCK
10	600132	000	2	KNOB FEMALE 5 POINT M8 X 1.25
11	NG30127	B	2	PAD SUPPORT EVOLV CONTOURED

NOTE:
 1. LEAVE NUT JUST LOOSE ENOUGH TO ALLOW FOR ADJUSTMENT.

IF BOX CONTAINS AN "X", SEE NOTES THAT APPLY TO EACH SUBJECT.		APPROVED:	DATE:	UNLESS OTHERWISE SPECIFIED DIMENSIONS ARE IN INCHES. TOLERANCES AND SPECS. ARE: DECIMALS .X ± .1 ANGLES .X ± .5° .XX ± .03 .XXX ± .015 HOLE SIZE TOLERANCE: (+.005/- .000) BREAK EDGES .005 - .015 CMFR DRILLED HOLES .03 X 45°	ALTIMATE MEDICAL, INC. PO BOX 180 - 262 WEST FIRST STREET - MORTON, MN 56270 PHONE (507) 697-6393 FAX (507) 697-6900 DESCRIPTION: ASMBLY LATERAL GUIDES PED SIZE DWG. NO. T50008 REV. 000 SCALE = 1:3 CAD FILE NAME: T50008 SHEET 1 OF 1	
<input type="checkbox"/> SEE SHIPPING INSTRUCTIONS	<input type="checkbox"/> RECEIVING INSPECTION	DRAWN: MWL	DATE: 1/28/08			MATERIAL:
<input type="checkbox"/> SEE ENVIRONMENTAL INSTRUCTIONS		OPTION NUMBER: -				FINISH: -
		CODE: ASMBLY				