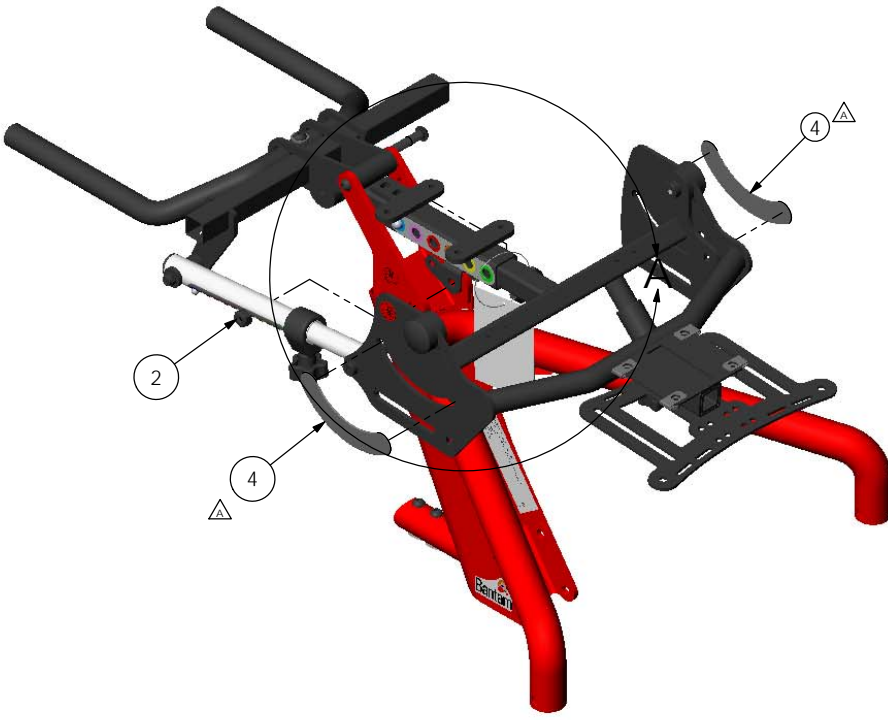


THE INFORMATION CONTAINED IN THIS DRAWING IS THE SOLE PROPERTY OF
 ALTIMATE MEDICAL. ANY REPRODUCTION IN PART OR WHOLE WITHOUT
 THE WRITTEN PERMISSION OF ALTIMATE MEDICAL IS PROHIBITED.

REVISIONS				
REV.	DESCRIPTION	ECO #	DATE	APPROVED
000	NEW RELEASE	DCR 00460	10/14/08	MWL
A	REVISED T40000 AND ADDED ANOTHER T40000	DCR 00772	3/17/11	TJF



DETAIL A
 SCALE 2 : 5



ITEM NO.	PART NO.	REV	QTY.	NAME
1	T20004	000	1	BUSHING NON-SUPINE OPTION
2	600010	000	1	NUT M10 X 1.5 NYLON LOCK
3	600351	00	1	BOLT M10 X 1.5 - 40 BTN SHCS
4	T40000	A	2	LABEL HIP

<input type="checkbox"/> SEE SHIPPING INSTRUCTIONS <input type="checkbox"/> RECEIVING INSPECTION <input type="checkbox"/> SEE ENVIRONMENTAL INSTRUCTIONS		APPROVED: _____ DATE: _____ DRAWN: MWL DATE: 1/29/08 MATERIAL: _____ OPTION NUMBER: _____ FINISH: _____ CODE: ASMBLY	UNLESS OTHERWISE SPECIFIED DIMENSIONS ARE IN INCHES. TOLERANCES AND SPECS. ARE: DECIMALS ANGLES XX ± .1 X ± .5 XXX ± .015 HOLE SIZE TOLERANCE: (+ .005 / - .000) BREAK EDGES .005 - .015 CMFR DRILLED HOLES .03 X 45°	ALTIMATE MEDICAL, INC. PO BOX 180 - 262 WEST FIRST STREET - MORTON, MN 56270 PHONE (507) 697-6393 FAX (507) 697-6900 DESCRIPTION: ASMBLY NON-SUPINE OPTION SIZE DWG. NO. T50010 REV. A SCALE = 1:5 CAD FILE NAME: T50010 SHEET 1 OF 1
--	--	---	--	---