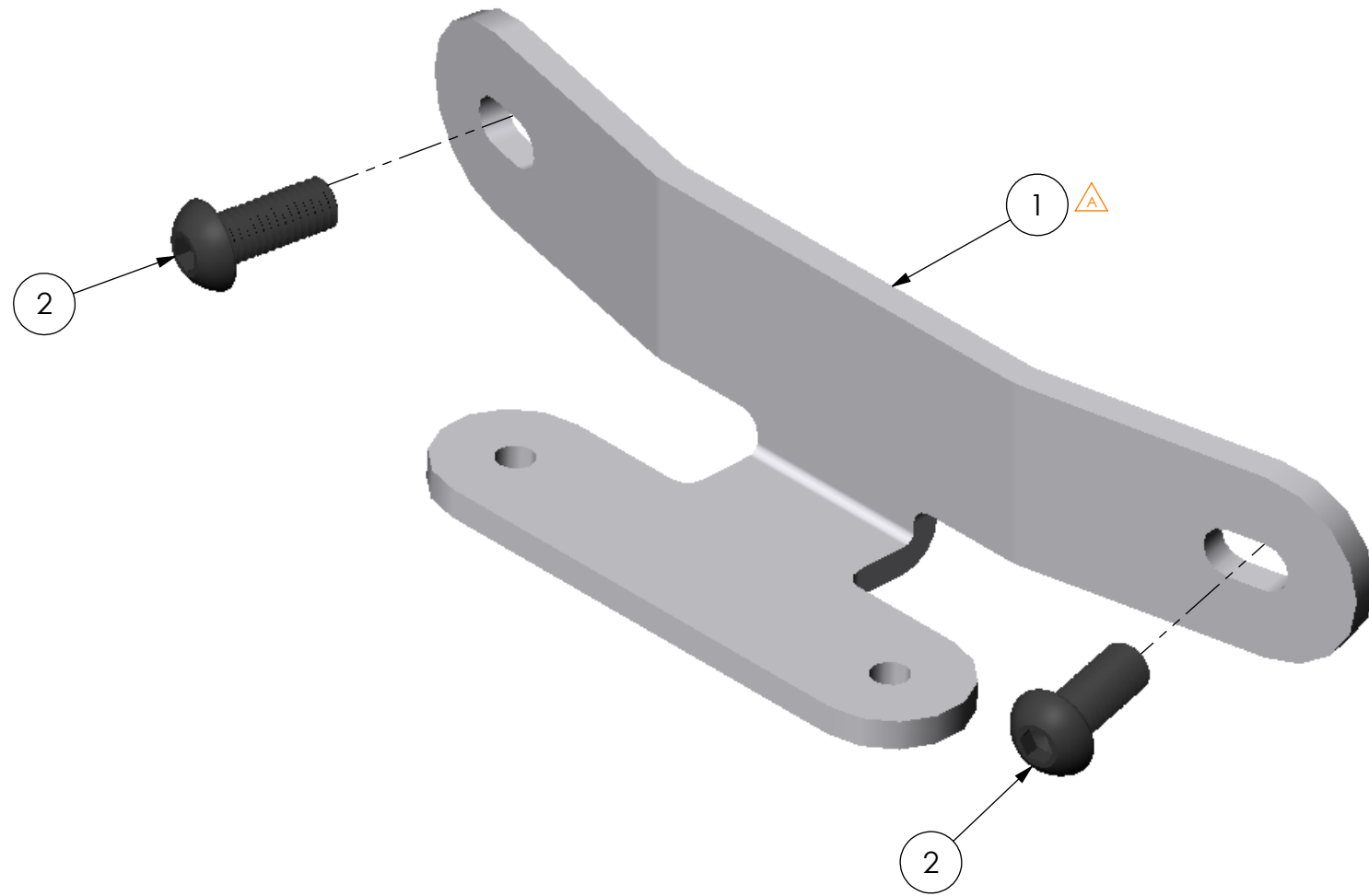


THE INFORMATION CONTAINED IN THIS DRAWING IS THE SOLE PROPERTY OF
 ALTIMATE MEDICAL. ANY REPRODUCTION IN PART OR WHOLE WITHOUT
 THE WRITTEN PERMISSION OF ALTIMATE MEDICAL IS PROHIBITED.

REVISIONS				
REV:	DESCRIPTION:	ECO #:	DATE:	APPROVED:
000	NEW RELEASE.	DCR-00460	10/15/08	MWL
A	REVISED T10179. REMOVED 53010.	DCR-00589	8/27/09	MWL



ITEM NO.	PART NO.	REV	QTY.	NAME
1	T10179	A	1	BRACKET CHEST PAD STANDARD
2	600053	000	2	BOLT M8 X 1.25 - 20 BTN SHCS

IF BOX CONTAINS AN "X", SEE NOTES THAT APPLY TO EACH SUBJECT. <input type="checkbox"/> SEE SHIPPING INSTRUCTIONS <input type="checkbox"/> RECEIVING INSPECTION <input type="checkbox"/> SEE ENVIRONMENTAL INSTRUCTIONS	APPROVED:	DATE:	UNLESS OTHERWISE SPECIFIED DIMENSIONS ARE IN INCHES. TOLERANCES AND SPECS. ARE: DECIMALS ANGLES .X ± .1 .X ± .5° .XX ± .03 .XXX ± .015 HOLE SIZE TOLERANCE: (+.005/-.000) BREAK EDGES .005 - .015 CMFR DRILLED HOLES .03 X 45°	ALTIMATE MEDICAL, INC. PO BOX 180 - 262 WEST FIRST STREET - MORTON, MN 56270 PHONE (507) 697-6393 FAX (507) 697-6900 DESCRIPTION: ASMBLY CHEST PAD MOUNT STANDARD SIZE DWG. NO. T50038 REV. A SCALE = 1:1 CAD FILE NAME: T50038 SHEET 1 OF 1	
	DRAWN: MWL	DATE: 7/10/08			MATERIAL:
	EXPIRATION DATE: -	FINISH: -			CODE: ASMBLY