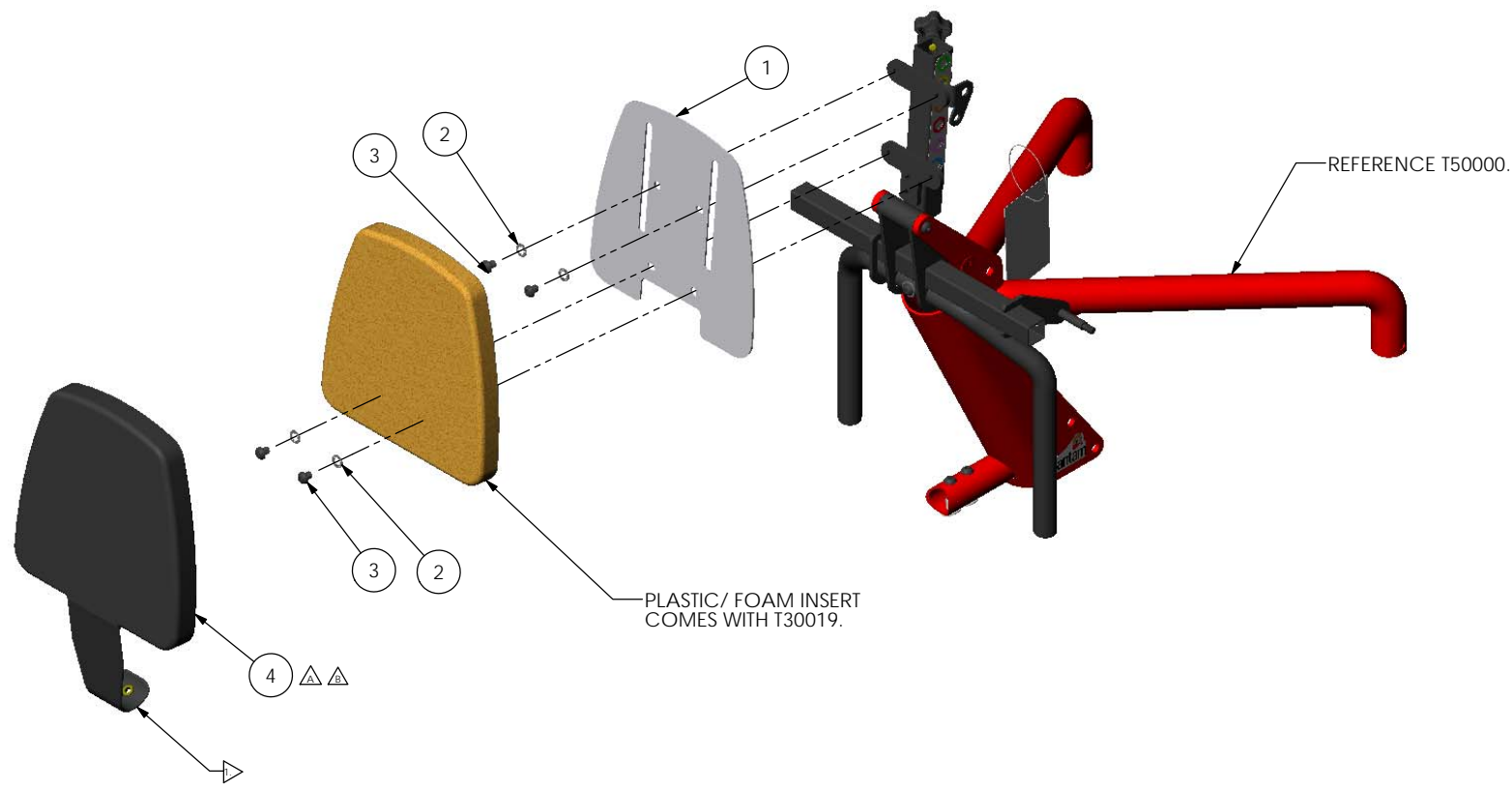


THE INFORMATION CONTAINED IN THIS DRAWING IS THE SOLE PROPERTY OF ALTIMATE MEDICAL. ANY REPRODUCTION IN PART OR WHOLE WITHOUT THE WRITTEN PERMISSION OF ALTIMATE MEDICAL IS PROHIBITED.

REVISIONS				
REV.	DESCRIPTION:	ECO #:	DATE:	APPROVED:
000	NEW RELEASE	DCR-00460	10/15/08	MWL
A	REVISED T30019	DCR-00628	12/1/09	MWL
B	REVISED T30019	DCR-00778	3/18/11	TJF



NOTE:
1. INSERT GROMMET ON UPHOLSTERY FLAP OVER PIN AND SLIP OVER SEAT PAN.

ITEM NO.	PART NO.	REV	QTY.	NAME
1	T10183	000	1	PLATE SEAT XS
2	600334	000	4	WASHER LOCK 8mm INTERNAL TOOTH
3	600125	000	4	BOLT M8 X 1.25 - 10 BTN SHCS
4	T30019	B	1	UPHOLSTERY SEAT STANDARD XS

<input type="checkbox"/> SEE SHIPPING INSTRUCTIONS <input type="checkbox"/> RECEIVING INSPECTION <input type="checkbox"/> SEE ENVIRONMENTAL INSTRUCTIONS		APPROVED: _____ DATE: _____ DRAWN: MWL DATE: 7/8/08 MATERIAL: _____ FINISH: _____ EXPIRATION DATE: _____ CODE: ASMBLY	UNLESS OTHERWISE SPECIFIED DIMENSIONS ARE IN INCHES. TOLERANCES AND SPECS. ARE: DECIMALS ANGLES X ± .1 X ± .5 XX ± .03 XXX ± .015 HOLE SIZE TOLERANCE: (+ .005 / - .000) BREAK EDGES .005 - .015 CMFR DRILLED HOLES .03 X 45°	ALTIMATE MEDICAL, INC. PO BOX 180 - 262 WEST FIRST STREET - MORTON, MN 56270 PHONE (507) 697-6393 FAX (507) 697-6900 DESCRIPTION: ASMBLY SEAT STANDARD XS SIZE DWG. NO. T50042 REV. B SCALE = 1:5 CAD FILE NAME: T50042 SHEET 1 OF 1
--	--	--	--	--