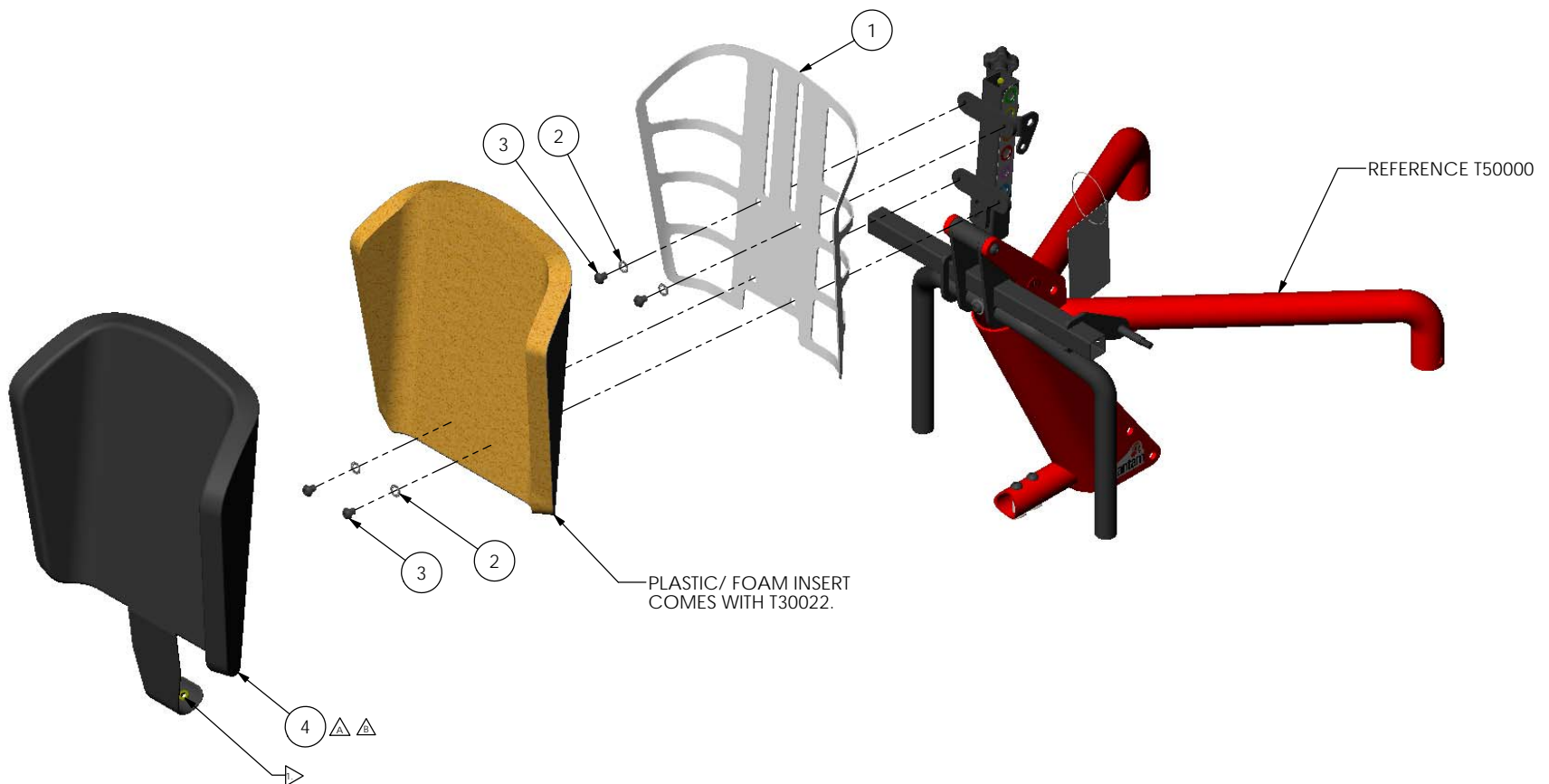


THE INFORMATION CONTAINED IN THIS DRAWING IS THE SOLE PROPERTY OF  
 ALTIMATE MEDICAL. ANY REPRODUCTION IN PART OR WHOLE WITHOUT  
 THE WRITTEN PERMISSION OF ALTIMATE MEDICAL IS PROHIBITED.

REVISIONS				
REV.	DESCRIPTION:	ECO #:	DATE:	APPROVED:
000	NEW RELEASE	DCR-00460	10/15/08	MWL
A	REVISED T30022	DCR-00628	12/1/09	MWL
B	REVISED T30022	DCR-00778	3/18/11	TJF



NOTE:  
 1. INSERT GROMMET ON UPHOLSTERY FLAP OVER PIN AND SLIP OVER SEAT PAN.

ITEM NO.	PART NO.	REV	QTY.	NAME
1	T10115	000	1	PLATE FORM-TO-FIT SEAT SM
2	600334	000	4	WASHER LOCK 8mm INTERNAL TOOTH
3	600125	000	4	BOLT M8 X 1.25 - 10 BTN SHCS
4	T30022	B	1	UPHOLSTERY SEAT COMFY SMALL

IF BOX CONTAINS AN "X" SEE NOTES THAT APPLY TO EACH SUBJECT. <input type="checkbox"/> SEE SHIPPING INSTRUCTIONS <input type="checkbox"/> RECEIVING INSPECTION <input type="checkbox"/> SEE ENVIRONMENTAL INSTRUCTIONS	APPROVED:	DATE:	UNLESS OTHERWISE SPECIFIED DIMENSIONS ARE IN INCHES. TOLERANCES AND SPECS. ARE: DECIMALS ANGLES XX ± .1 X ± .5 XXX ± .03 XXX ± .015 HOLE SIZE TOLERANCE: (+ .005 / - .000) BREAK EDGES .005 - .015 CMFR DRILLED HOLES .03 X 45°	<b>ALTIMATE MEDICAL, INC.</b> PO BOX 180 - 262 WEST FIRST STREET - MORTON, MN 56270 PHONE (507) 697-6393 FAX (507) 697-6900 DESCRIPTION: <b>ASMBLY UPHOLSTERY COMFY SEAT SM</b> SIZE DWG. NO. <b>T50048</b> REV. <b>B</b> SCALE = 1:5 CAD FILE NAME: T50048 SHEET 1 OF 1	
	DRAWN: MWL	DATE: 7/7/08			MATERIAL:
	EXPIRATION DATE:	FINISH:			CODE:
	UPSTRY				