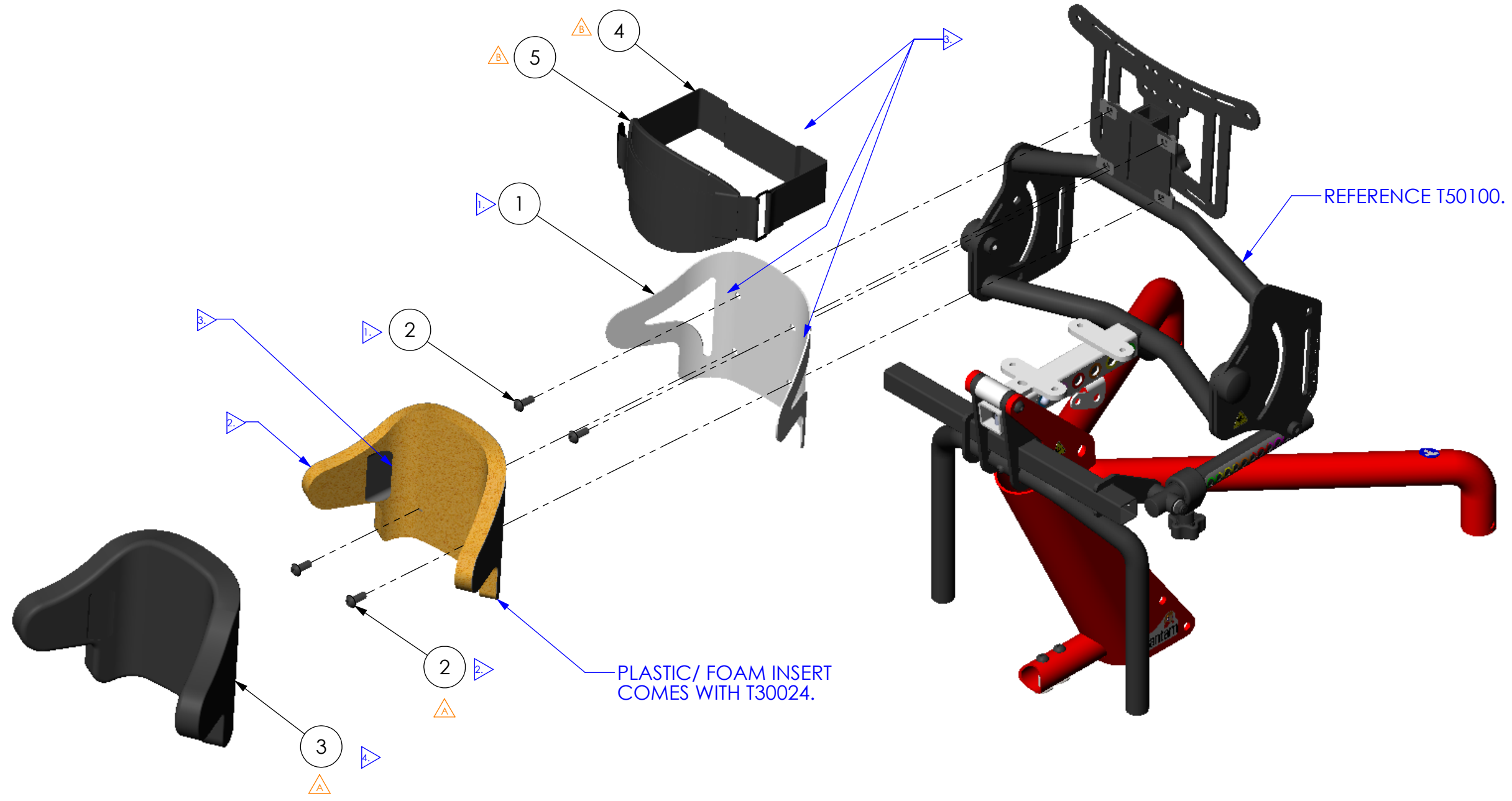


THE INFORMATION CONTAINED IN THIS DRAWING IS THE SOLE PROPERTY OF ALTIMATE MEDICAL. ANY REPRODUCTION IN PART OR WHOLE WITHOUT THE WRITTEN PERMISSION OF ALTIMATE MEDICAL IS PROHIBITED.

REVISIONS				
REV:	DESCRIPTION:	ECO #:	DATE:	APPROVED:
000	NEW RELEASE.	DCR-00460	10/16/08	MWL
A	REVISED T10152 AND T30024. BEND LINES ARE 1" CLOSER TOGETHER	DCR-00512	2/4/10	MWL
B	REPLACING T30037 WITH T30066 AND T30034	DCR-00983	9/10/12	JVS



- NOTES:**
1. BOLT METAL BACK REST TO FRAME USING TOP HOLES.
 2. BOLT PLASTIC/ FOAM INSERT TO METAL BACK REST AND FRAME USING BOTTOM BOLTS.
 3. LOOP CHEST STRAP THROUGH METAL PLATE AND PLASTIC/ FOAM INSERT.
 4. SLIP COVER OVER FOAM AND METAL BACK REST.

ITEM NO.	PART NO.	REV	QTY.	NAME
1	T10152	A	1	PLATE BACK COMFY SEAT XS
2	600053	000	4	BOLT M8 X 1.25 - 20 BTN SHCS
3	T30024	A	1	UPHOLSTRY BACK COMFY XS
4	T30066	000	1	BELT LAP AND CHEST EXTENDED-ADJ
5	T30034	A	1	PAD CHEST RESTRAINT PEDIATRIC

IF BOX CONTAINS AN "X", SEE NOTES THAT APPLY TO EACH SUBJECT.		APPROVED:	DATE:	UNLESS OTHERWISE SPECIFIED DIMENSIONS ARE IN INCHES. TOLERANCES AND SPECS. ARE: DECIMALS: .X ± .1 ANGLES: .X ± .5° .XX ± .03 .XXX ± .015 HOLE SIZE TOLERANCE: (+.005/-.000) BREAK EDGES .005 - .015 CMFR DRILLED HOLES .03 X 45°	ALTIMATE MEDICAL, INC. PO BOX 180 - 262 WEST FIRST STREET - MORTON, MN 56270 PHONE (507) 697-6393 FAX (507) 697-6900 DESCRIPTION: ASMBLY UPHOLSTRY COMFY BACK XS SIZE DWG. NO. T50052 REV. B SCALE = 1:5 CAD FILE NAME: T50052 SHEET 1 OF 1
<input type="checkbox"/> SEE SHIPPING INSTRUCTIONS	DRAWN: MWL	DATE: 7/17/08	MATERIAL:		
<input type="checkbox"/> RECEIVING INSPECTION	EXPIRATION DATE:		FINISH:		
<input type="checkbox"/> SEE ENVIRONMENTAL INSTRUCTIONS			CODE: ASMBLY		