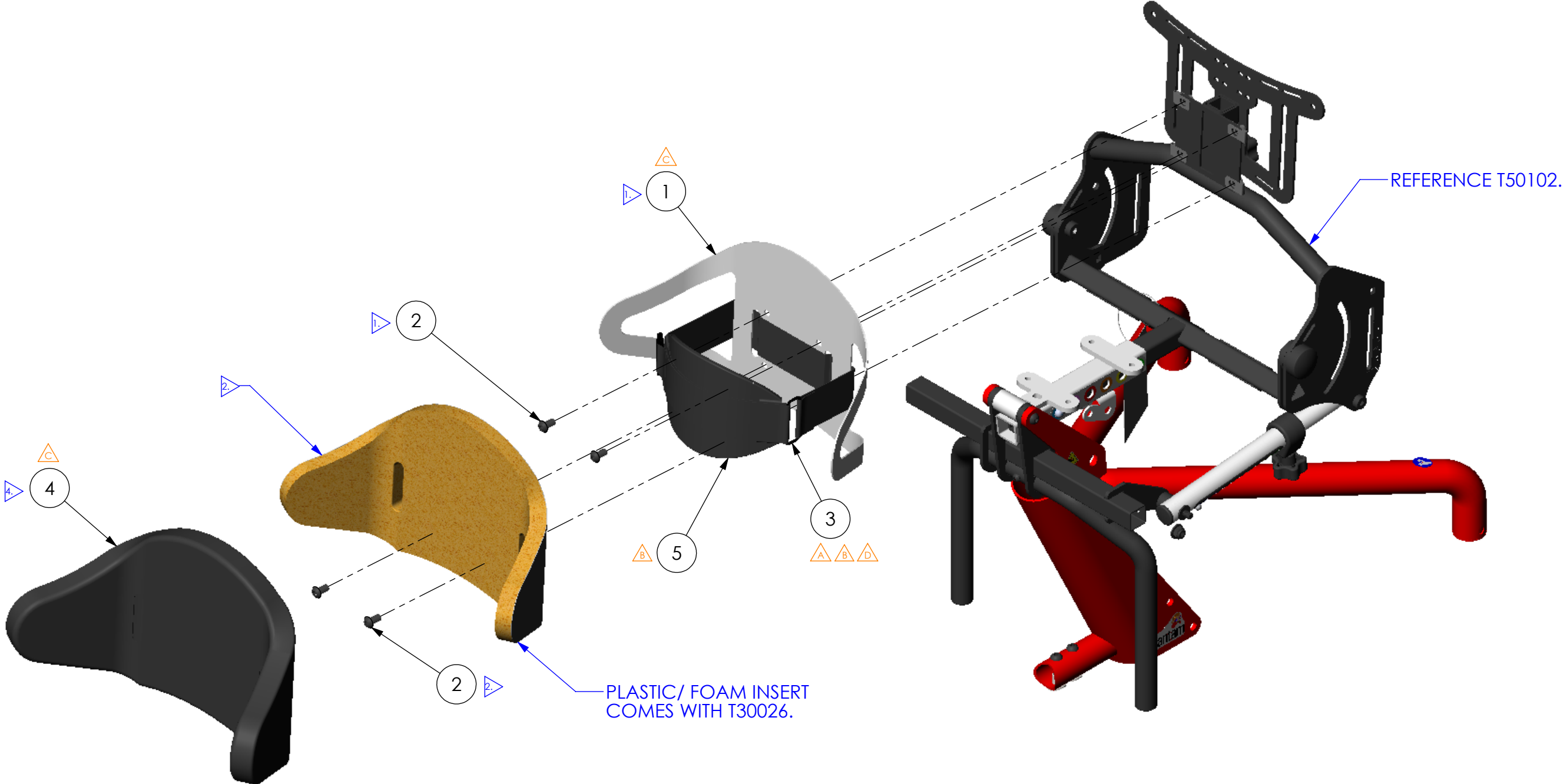


THE INFORMATION CONTAINED IN THIS DRAWING IS THE SOLE PROPERTY OF ALTIMATE MEDICAL. ANY REPRODUCTION IN PART OR WHOLE WITHOUT THE WRITTEN PERMISSION OF ALTIMATE MEDICAL IS PROHIBITED.

REVISIONS				
REV:	DESCRIPTION:	ECO #:	DATE:	APPROVED:
000	NEW RELEASE.	DCR-00460	10/15/08	MWL
A	REVISED T30018 TO REVISION A.	DCR-00489	2/18/09	MWL
B	REVISED ITEMS T30018 AND T30034.	DCR-00557	6/24/09	MWL
C	REVISED T10154 AND T30026. BEND LINES ARE 1" CLOSER TOGETHER	DCR-00512	2/4/10	MWL
D	REPLACED T50090 WITH T30066	DCR-00814	7/28/11	TJF



- NOTES:**
1. BOLT METAL BACK REST TO FRAME USING TOP HOLES.
  2. BOLT PLASTIC/ FOAM INSERT TO METAL BACK REST AND FRAME USING BOTTOM BOLTS.
  3. LOOP CHEST STRAP THROUGH METAL PLATE AS SHOWN.
  4. SLIP COVER OVER FOAM AND METAL BACK REST.

ITEM NO.	PART NO.	REV	QTY.	NAME
1	T10154	A	1	PLATE BACK COMFY SEAT SMALL
2	600412	000	4	BOLT M8 X 1.25 - 16 BTN SHCS
3	T30066	000	1	BELT LAP AND CHEST EXTENDED-ADJ
4	T30026	A	1	UPHOLSTRY BACK COMFY SM
5	T30034	A	1	PAD CHEST RESTRAINT PEDIATRIC

IF BOX CONTAINS AN "X", SEE NOTES THAT APPLY TO EACH SUBJECT.		APPROVED:	DATE:	UNLESS OTHERWISE SPECIFIED DIMENSIONS ARE IN INCHES. TOLERANCES AND SPECS. ARE: DECIMALS .X ± .1 ANGLES .X ± .5° .XX ± .03 .XXX ± .015 HOLE SIZE TOLERANCE: (+.005/-.000) BREAK EDGES .005 - .015 CMFR DRILLED HOLES .03 X 45°	<b>ALTIMATE MEDICAL, INC.</b> PO BOX 180 - 262 WEST FIRST STREET - MORTON, MN 56270 PHONE (507) 697-6393 FAX (507) 697-6900 DESCRIPTION: ASMBLY UPHOLSTRY COMFY BACK SM SIZE DWG. NO. <b>T50056</b> REV. <b>D</b> SCALE = 1:5 CAD FILE NAME: T50056 SHEET 1 OF 1
<input type="checkbox"/> SEE SHIPPING INSTRUCTIONS	DRAWN: MWL	DATE: 7/8/08	MATERIAL:		
<input type="checkbox"/> RECEIVING INSPECTION	EXPIRATION DATE:		FINISH:		
<input type="checkbox"/> SEE ENVIRONMENTAL INSTRUCTIONS			CODE: UPSTRY		