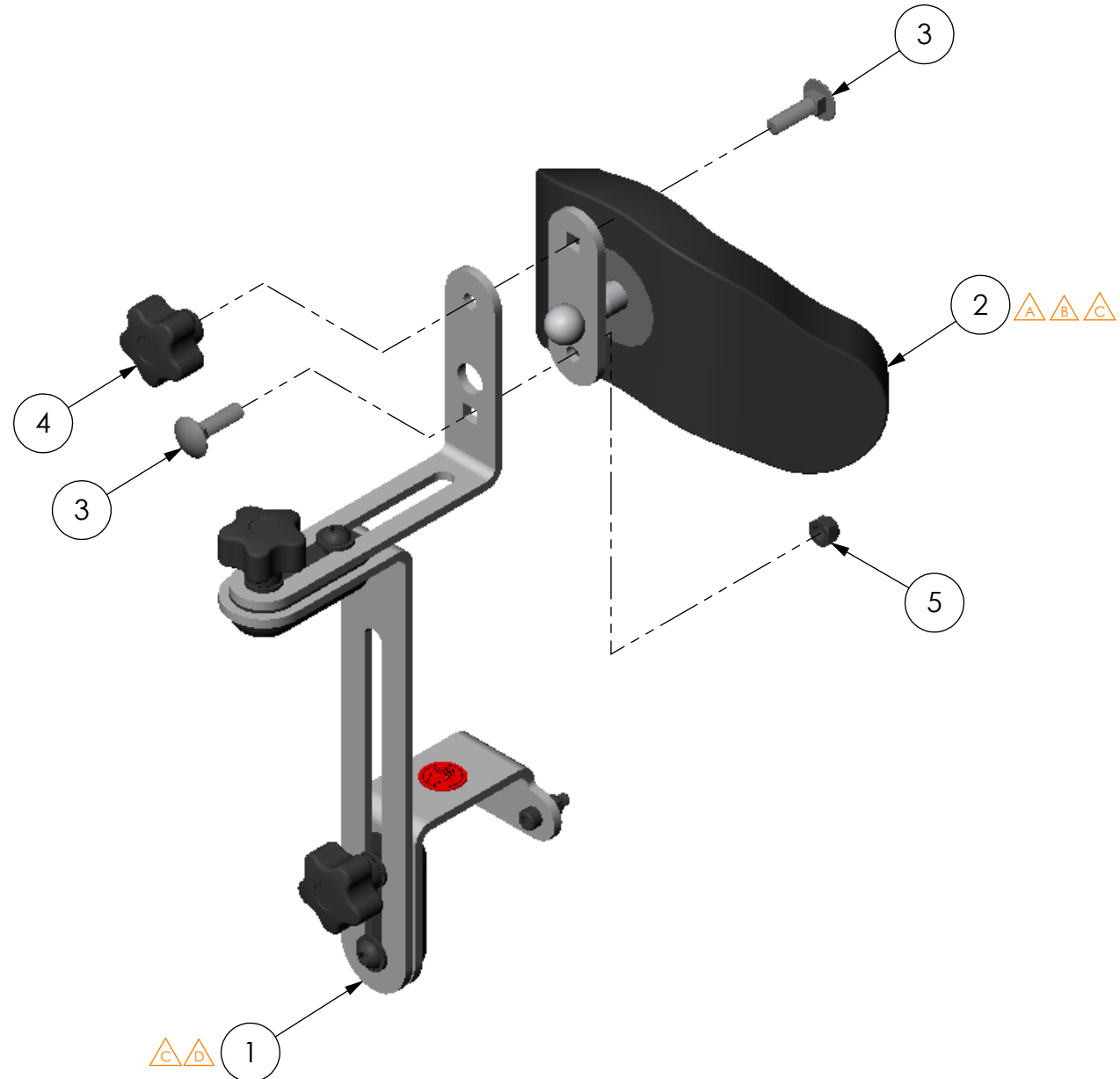


THE INFORMATION CONTAINED IN THIS DRAWING IS THE SOLE PROPERTY OF  
 ALTIMATE MEDICAL. ANY REPRODUCTION IN PART OR WHOLE WITHOUT  
 THE WRITTEN PERMISSION OF ALTIMATE MEDICAL IS PROHIBITED.

REVISIONS				
REV:	DESCRIPTION:	ECO #:	DATE:	APPROVED:
000	NEW RELEASE.	DCR-00460	10/20/08	MWL
A	REVISED T30030 AND ADDED T30040.	DCR-00504	3/10/09	MWL
B	REVISED T30030.	DCR-00561	6/25/09	MWL
C	RESTRUCTURED BOM OF T50024. T30030 IS NOW AN ASMBLY.	DCR-00604	10/19/09	MWL
D	REVISED ASSEMBLY T50024.	DCR-00658	3/26/10	MWL



ITEM NO.	PART NO.	REV	QTY.	NAME
1	T50024	B	1	ASMBLY HEAD REST
2	T30030	B	1	HEAD REST XS
3	600091	000	2	BOLT M8 X 1.25 - 30 CARRIAGE
4	600132	000	1	KNOB M8 X 1.25 5 POINT FEMALE
5	600009	000	1	NUT M8 X 1.25 NYLON LOCK

IF BOX CONTAINS AN "X", SEE NOTES THAT APPLY TO EACH SUBJECT. <input type="checkbox"/> SEE SHIPPING INSTRUCTIONS <input type="checkbox"/> RECEIVING INSPECTION <input type="checkbox"/> SEE ENVIRONMENTAL INSTRUCTIONS		APPROVED: _____ DATE: _____ DRAWN: MWL DATE: 7/8/08 MATERIAL: _____ FINISH: _____ EXPIRATION DATE: _____ CODE: ASMBLY	UNLESS OTHERWISE SPECIFIED DIMENSIONS ARE IN INCHES. TOLERANCES AND SPECS. ARE: DECIMALS .X ± .1 ANGLES .X ± .5° .XX ± .03 .XXX ± .015 HOLE SIZE TOLERANCE: (+.005/-.000) BREAK EDGES .005 - .015 CMFR DRILLED HOLES .03 X 45°	<b>ALTIMATE MEDICAL, INC.</b> PO BOX 180 - 262 WEST FIRST STREET - MORTON, MN 56270 PHONE (507) 697-6393 FAX (507) 697-6900 DESCRIPTION: ASMBLY HEAD REST XS SIZE DWG. NO. <b>T50062</b> REV. D SCALE = 1:3 CAD FILE NAME: T50062 SHEET 1 OF 1
---	--	--	---	---