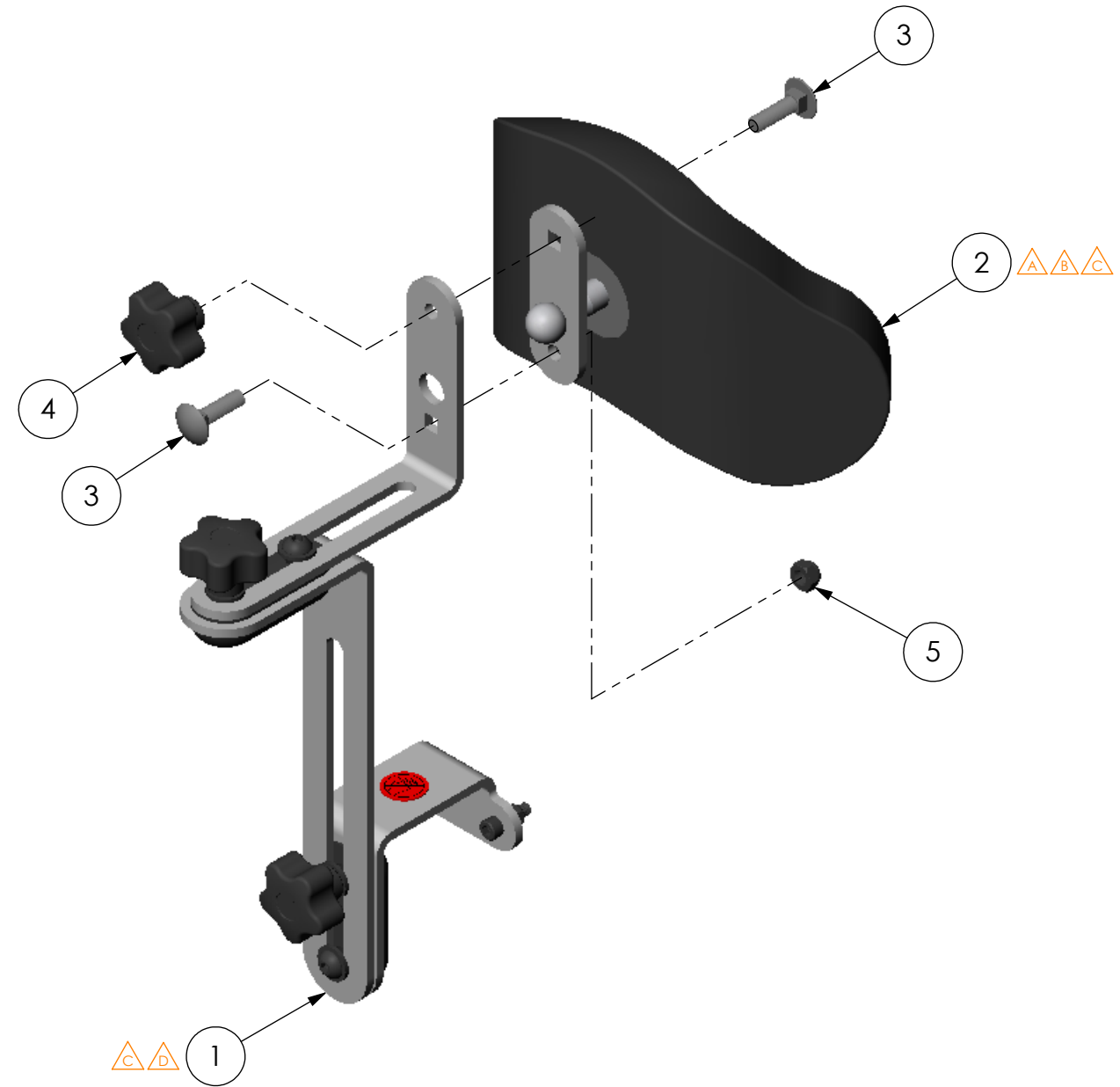


THE INFORMATION CONTAINED IN THIS DRAWING IS THE SOLE PROPERTY OF ALTIMATE MEDICAL. ANY REPRODUCTION IN PART OR WHOLE WITHOUT THE WRITTEN PERMISSION OF ALTIMATE MEDICAL IS PROHIBITED.

REVISIONS				
REV:	DESCRIPTION:	ECO #:	DATE:	APPROVED:
000	NEW RELEASE.	DCR-00460	10/20/08	MWL
A	REVISED T30031 AND ADDED T30041.	DCR-00504	3/10/09	MWL
B	REVISED T30041.	DCR-00561	6/25/09	MWL
C	RESTRUCTURED BOM OF T50024. T30030 IS NOW AN ASMBLY.	DCR-00604	10/19/09	MWL
D	REVISED ASSEMBLY T50024.	DCR-00658	3/26/10	MWL



NOTE:
1. APPLY LOCTITE RED 262.

ITEM NO.	PART NO.	REV	QTY.	NAME
1	T50024	B	1	ASMBLY HEAD REST
2	T30031	B	1	COVER HEAD REST SM
3	600091	000	2	BOLT M8 X 1.25 - 30 CARRIAGE
4	600132	000	1	KNOB FEMALE 5 POINT M8 X 1.25
5	600009	000	1	NUT M8 X 1.25 NYLON LOCK

IF BOX CONTAINS AN "X", SEE NOTES THAT APPLY TO EACH SUBJECT.		APPROVED:		DATE:	
<input type="checkbox"/> SEE SHIPPING INSTRUCTIONS	<input type="checkbox"/> RECEIVING INSPECTION	<input type="checkbox"/> SEE ENVIRONMENTAL INSTRUCTIONS	DRAWN: MWL		DATE: 7/8/08
			MATERIAL:		
			FINISH:		-
			CODE:		ASMBLY
			EXPIRATION DATE:		-

UNLESS OTHERWISE SPECIFIED DIMENSIONS ARE IN INCHES. TOLERANCES AND SPECS. ARE:

DECIMALS	ANGLES
.X ± .1	.X ± .5°
.XX ± .03	
.XXX ± .015	
HOLE SIZE TOLERANCE: (+.005/- .000)	
BREAK EDGES .005 - .015	
CMFR DRILLED HOLES .03 X 45°	

ALTIMATE MEDICAL, INC.
PO BOX 180 - 262 WEST FIRST STREET - MORTON, MN 56270
PHONE (507) 697-6393 FAX (507) 697-6900

DESCRIPTION:
ASMBLY HEAD REST SM

SIZE DWG. NO. **T50064** REV. D

SCALE = 1:3 CAD FILE NAME: T50064 SHEET 1 OF 1