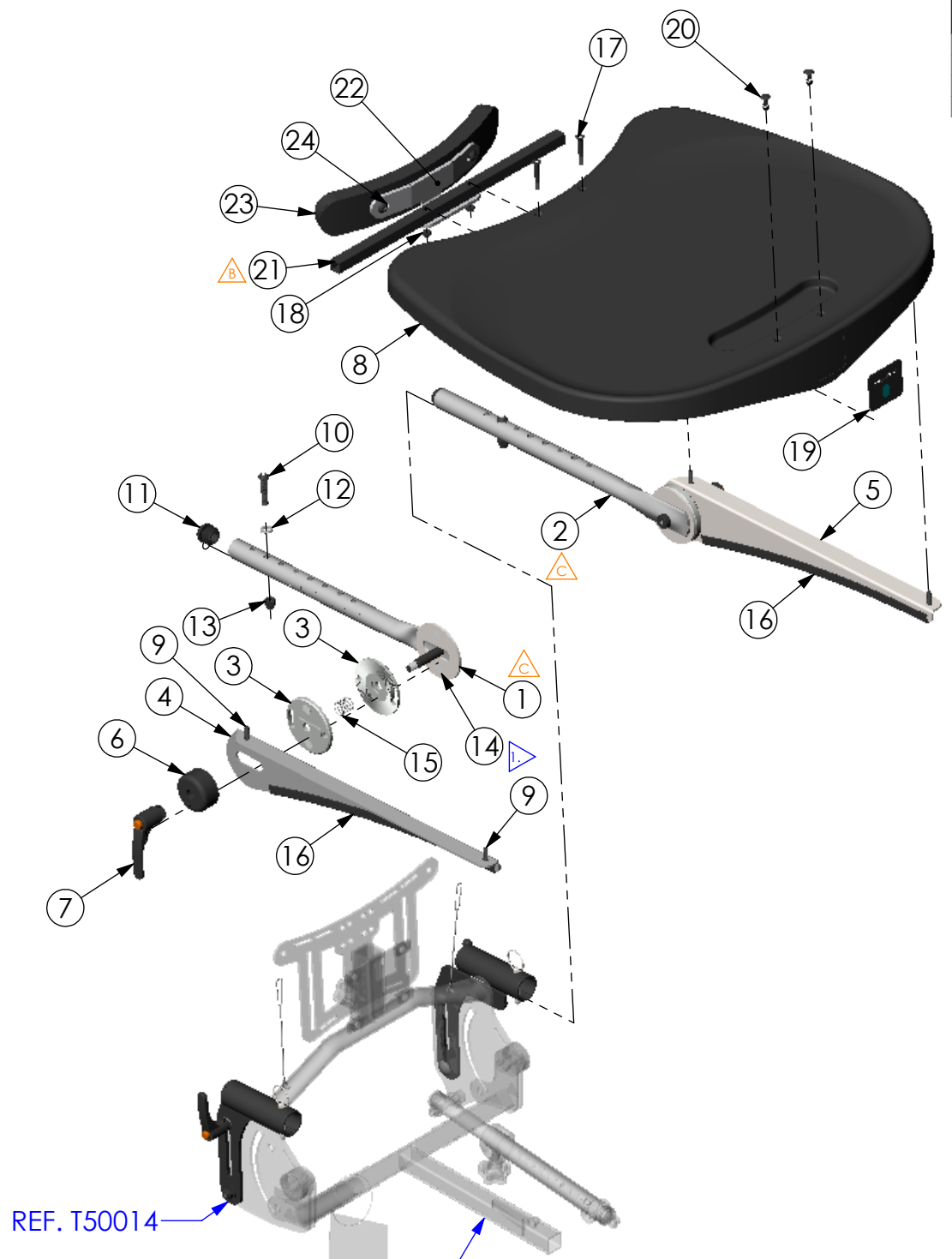


THE INFORMATION CONTAINED IN THIS DRAWING IS THE SOLE PROPERTY OF  
 ALTIMATE MEDICAL. ANY REPRODUCTION IN PART OR WHOLE WITHOUT  
 THE WRITTEN PERMISSION OF ALTIMATE MEDICAL IS PROHIBITED.

REVISIONS				
REV:	DESCRIPTION:	ECO #:	DATE:	APPROVED:
000	NEW RELEASE.	DCR-00460	10/15/08	MWL
A	REDESIGNED TABLE ASSEMBLY.	DCR-00589	8/27/09	MWL
B	REVISED NG10809 TO REVISION A.	DCR-00827	9/8/11	TJF
C	REVISED T10258 AND T10259 TO REV A.	DCR-01001	10/31/12	TJF



ITEM NO.	PART NO.	REV	QTY.	NAME
1	T10258	A	1	ARM TABLE BANTAM SHORT
2	T10259	A	1	ARM TABLE BANTAM LONG
3	NG10179	B	4	CLAMP TOOTHED
4	T10264	000	1	BRACKET TABLE MOUNT RH
5	T10265	000	1	BRACKET TABLE LH
6	T20046	000	2	BUSHING TABLE
7	600440	000	2	KNOB LEVER FEMALE M10 X 1.5
8	NG20103	A	1	TABLE MOLDED EVOLV
9	600197	-	4	BOLT BTN HD M6X1.-16
10	600137	-	2	BOLT M8 X 1.25 - 40 BTN SHCS
11	92703	000	2	BALL CAP
12	600332	000	2	WASHER M8 ZINC
13	600383	000	2	NUT M8 X 1.25 ACORN
14	600445	000	8	GLUE DOT
15	600174	000	2	FOOT REST SPRING
16	NG20036	000	2	TRIM BANTAM TABLE
17	600180	000	2	BOLT FLTHD M6 X 1.0 - 40
18	600008	000	2	NUT M6 X 1.0 NYLON LOCK
19	99102	B	1	BLACK MOLDED TABLE LABEL
20	600416	000	2	PLUG PUSH-IN 1/4" HOLE
21	NG10809	A	1	TUBE TABLE REINFORCEMENT
22	T10179	A	1	BRACKET CHEST PAD STANDARD
23	T30046	000	1	PAD FRONT BANTAM
24	600053	000	2	BOLT M8 X 20 BTN SHCS

NOTES:  
 1. USE TWO GLUE DOTS PER TOOTHED WASHER TO FASTEN THEM TO BRACKETS.

IF BOX CONTAINS AN "X", SEE NOTES THAT APPLY TO EACH SUBJECT. <input type="checkbox"/> SEE SHIPPING INSTRUCTIONS <input type="checkbox"/> RECEIVING INSPECTION <input type="checkbox"/> SEE ENVIRONMENTAL INSTRUCTIONS	APPROVED:	DATE:	<b>UNLESS OTHERWISE SPECIFIED DIMENSIONS ARE IN INCHES. TOLERANCES AND SPECS. ARE:</b> DECIMALS      ANGLES .X ± .1          .X ± .5° .XX ± .03 .XXX ± .015 HOLE SIZE TOLERANCE: (+.005/-.000) BREAK EDGES .005 - .015 CMFR DRILLED HOLES .03 X 45°	<b>ALTIMATE MEDICAL, INC.</b> PO BOX 180 - 262 WEST FIRST STREET - MORTON, MN 56270 PHONE (507) 697-6393      FAX (507) 697-6900 DESCRIPTION: ASMBLY TABLE STANDARD PEDIATRIC SIZE DWG. NO. <b>T50074</b> REV. <b>C</b> SCALE = 1:8      CAD FILE NAME: T50074      SHEET 1 OF 1	
	DRAWN: MWL	DATE: 7/8/08			MATERIAL:
	OPTION NUMBER: -	FINISH: -			CODE: ASMBLY